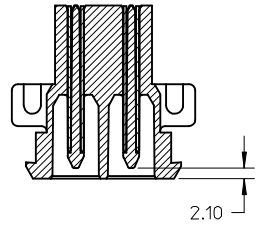
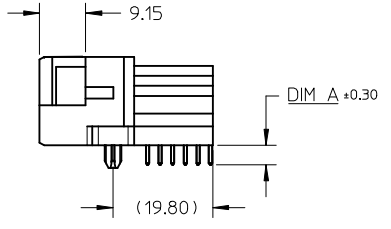
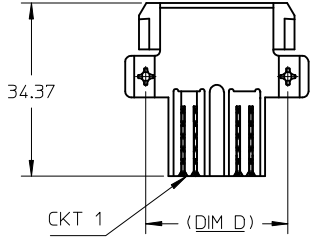
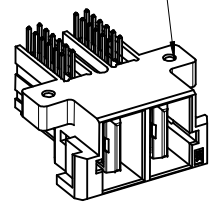


PEG MOUNT OPTIONS



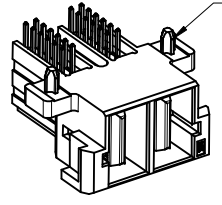
SECTION Z-Z

SCREW MOUNT VERSION

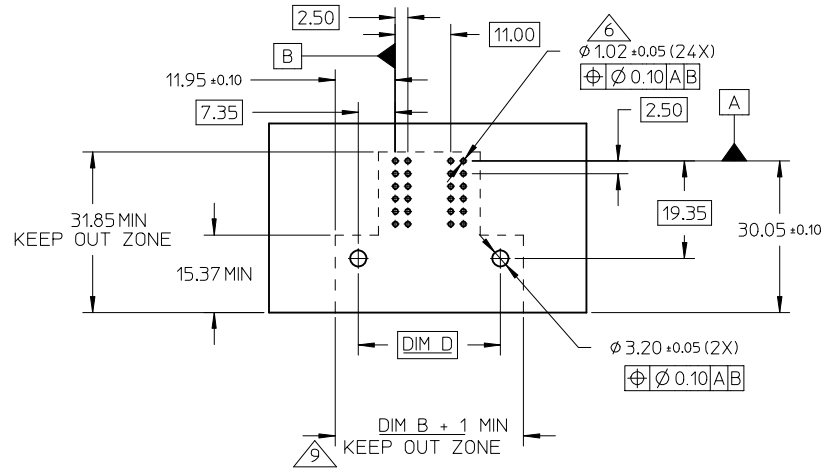


P/N/O: 151035-1\*\*\*

PEG VERSION



P/N/O: 151035-0\*\*\*



RECOMMENDED PCB LAYOUT (COMPONENT SIDE)

- NOTE:
- MATERIAL:  
HOUSING: LCP, UL 94V-0. COLOR: BLACK  
TERMINALS: COPPER ALLOY
  - PLATING:  
30µ IN GOLD ON CONTACT AREA  
100µ IN TIN IN THE PC TAIL AREA OVER  
50µ IN NICKEL OVERALL UNDERPLATE
  - PRODUCT SPECIFICATION: PS-151053-0001
  - PARTS TO BE PACKED PER PACKAGING SPEC: PK-151035-0001
  - MATING WITH CRIMP: 46819, RECEPTACLE HOUSING SERIES 151034
  - PCB HOLES TO BE PLATED THRU HOLES.
  - CONTACTS ARE LUBRICATED.
  - RECOMMENDED SCREW: 2-32 TYPE AB X 0.300" (FOR 1.60MM PCB)  
2-32 TYPE AB X 0.375" (FOR 2.36 & 3.18MM PCB)  
SCREWS ARE SOLD SEPARATELY.
  - KEEP-OUT ZONE DOES NOT TAKE FINGER SPACING INTO ACCOUNT.  
PLEASE MAKE SURE TO LEAVE APPROPRIATE CLEARANCE BETWEEN  
LATCHES AND ADJACENT PRODUCT FOR PROPER LATCH FUNCTION.

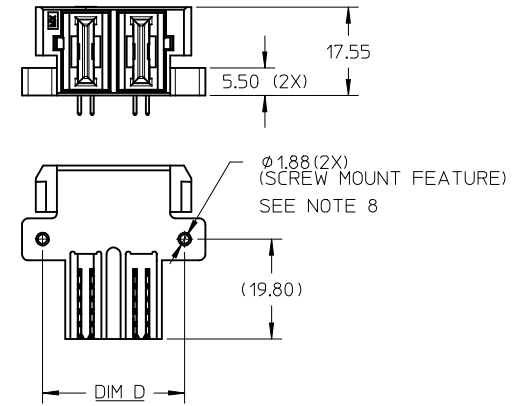
+ SCREW MT OPTIONS	EC NO: S2015-1142	2015/04/08	QUALITY SYMBOLS	$\nabla_A = 0$
	DRWN:CGOH	2015/06/17		$\nabla_C = 0$
	CHKD:KHL	2015/06/17		$\nabla_B = 0$
	APPR:KHL IM			
REV	DESCRIPTION			

GENERAL TOLERANCES (UNLESS SPECIFIED)	
	mm INCH
4 PLACES	± --- ± ---
3 PLACES	± --- ± ---
2 PLACES	± 0.25 ± ---
1 PLACE	± 0.25 ± ---
0 PLACE	± --- ± ---
ANGULAR ± 3 °	
DRAFT WHERE APPLICABLE MUST REMAIN WITHIN DIMENSIONS	

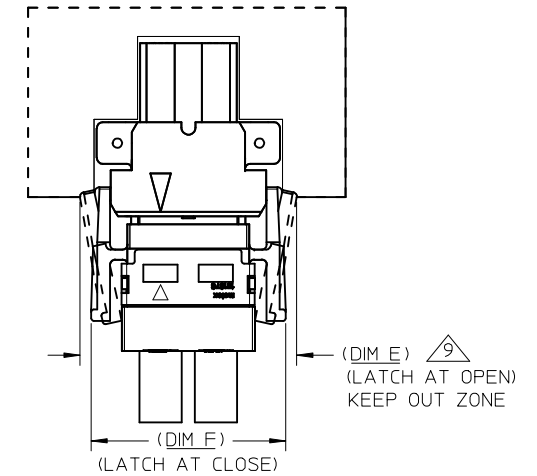
DIMENSION STYLE		SCALE	DESIGN UNITS	THIRD ANGLE PROJECTION
MM ONLY		NTS	METRIC	
DRAWN BY	DATE	TITLE		
CGOH	2014/04/23	GUARDIAN II		
CHECKED BY	DATE	RA PLUG ASSEMBLY		
EANG	2014/10/21	2 - 6 CKTS		
APPROVED BY	DATE	<b>molex</b>		
KHL IM	2014/10/22			
MATERIAL NO.	DOCUMENT NO.	SHEET NO.		
SEE TABLE	SD-151035-0001	1 OF 2		

THIS DRAWING CONTAINS INFORMATION THAT IS PROPRIETARY TO MOLEX INCORPORATED AND SHOULD NOT BE USED WITHOUT WRITTEN PERMISSION	
---	--

CKT SIZE	PART NO.	DIM A PC TAIL	PC BOARD THICKNESS	PC TAIL TYPE	GUIDE OPTION	DIM B	DIM C	DIM D	DIM E	DIM F
2 CKT	151035-0002	3.86±0.30	2.36	SOLDER TAIL	PEG	36.40	30.84	28.20	43.20	38.60
	151035-0012	4.69±0.30	3.18							
	151035-0022	3.28±0.30	1.60	COMPLIANT PIN						
	151035-1002	3.86±0.30	2.36	SOLDER TAIL	SCREW MOUNT					
	151035-1012	4.69±0.30	3.18							
151035-1022	3.28±0.30	1.60	COMPLIANT PIN							
3 CKT	151035-0003	3.86±0.30	2.36	SOLDER TAIL	PEG	47.40	41.84	39.20	54.20	49.60
	151035-0013	4.69±0.30	3.18							
	151035-0023	3.28±0.30	1.60	COMPLIANT PIN						
	151035-1003	3.86±0.30	2.36	SOLDER TAIL	SCREW MOUNT					
	151035-1013	4.69±0.30	3.18							
151035-1023	3.28±0.30	1.60	COMPLIANT PIN							
4 CKT	151035-0004	3.86±0.30	2.36	SOLDER TAIL	PEG	58.40	52.84	50.20	65.20	60.60
	151035-0014	4.69±0.30	3.18							
	151035-0024	3.28±0.30	1.60	COMPLIANT PIN						
	151035-1004	3.86±0.30	2.36	SOLDER TAIL	SCREW MOUNT					
	151035-1014	4.69±0.30	3.18							
151035-1024	3.28±0.30	1.60	COMPLIANT PIN							
5 CKT	151035-0005	3.86±0.30	2.36	SOLDER TAIL	PEG	69.40	63.84	61.20	76.20	71.60
	151035-0015	4.69±0.30	3.18							
	151035-0025	3.28±0.30	1.60	COMPLIANT PIN						
	151035-1005	3.86±0.30	2.36	SOLDER TAIL	SCREW MOUNT					
	151035-1015	4.69±0.30	3.18							
151035-1025	3.28±0.30	1.60	COMPLIANT PIN							
6 CKT	151035-0006	3.86±0.30	2.36	SOLDER TAIL	PEG	80.40	74.84	72.20	87.20	82.60
	151035-0016	4.69±0.30	3.18							
	151035-0026	3.28±0.30	1.60	COMPLIANT PIN						
	151035-1006	3.86±0.30	2.36	SOLDER TAIL	SCREW MOUNT					
	151035-1016	4.69±0.30	3.18							
151035-1026	3.28±0.30	1.60	COMPLIANT PIN							



SCREW MOUNT OPTIONS



CONNECTOR ASSEMBLY WITH RECEPTACLE CABLE.

<b>+ SCREW MT OPTIONS</b> EC NO: S2015-1142 DRWN:CGOH 2015/04/08 CHKD:EANG 2015/06/17 APPR:KHLIM 2015/06/17	DESCRIPTION REV	QUALITY SYMBOLS	GENERAL TOLERANCES (UNLESS SPECIFIED)	DIMENSION STYLE	SCALE	DESIGN UNITS	THIRD ANGLE PROJECTION
		$\nabla_A = 0$ $\nabla_G = 0$ $\nabla_P = 0$	mm    INCH 4 PLACES ± --- ± --- 3 PLACES ± --- ± --- 2 PLACES ± 0.25 ± --- 1 PLACE ± 0.25 ± --- 0 PLACE ± --- ± ---	MM ONLY	1:1	METRIC	
		DRAFT WHERE APPLICABLE MUST REMAIN WITHIN DIMENSIONS	DRAWN BY: CGOH    DATE: 2014/04/23 CHECKED BY: EANG    DATE: 2014/10/21 APPROVED BY: KHLIM    DATE: 2014/10/22 MATERIAL NO.    DOCUMENT NO.	TITLE GUARDIAN II RA PLUG ASSEMBLY 2 - 6 CKTS <b>molex</b>			
		SEE TABLE	SD-151035-0001		SHEET NO. 2 OF 2		