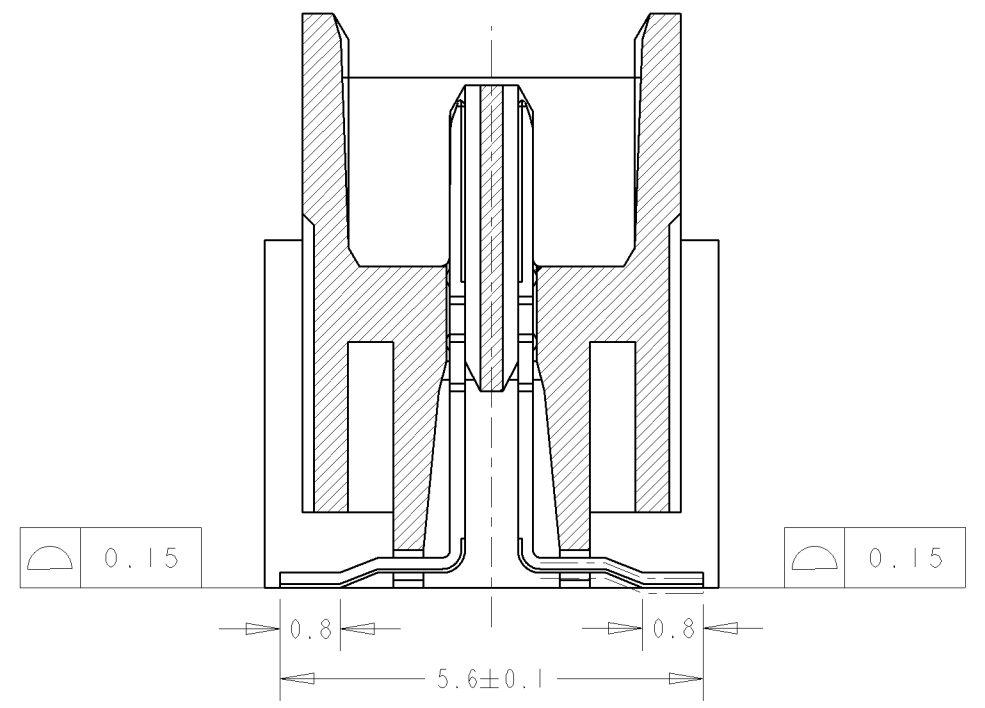
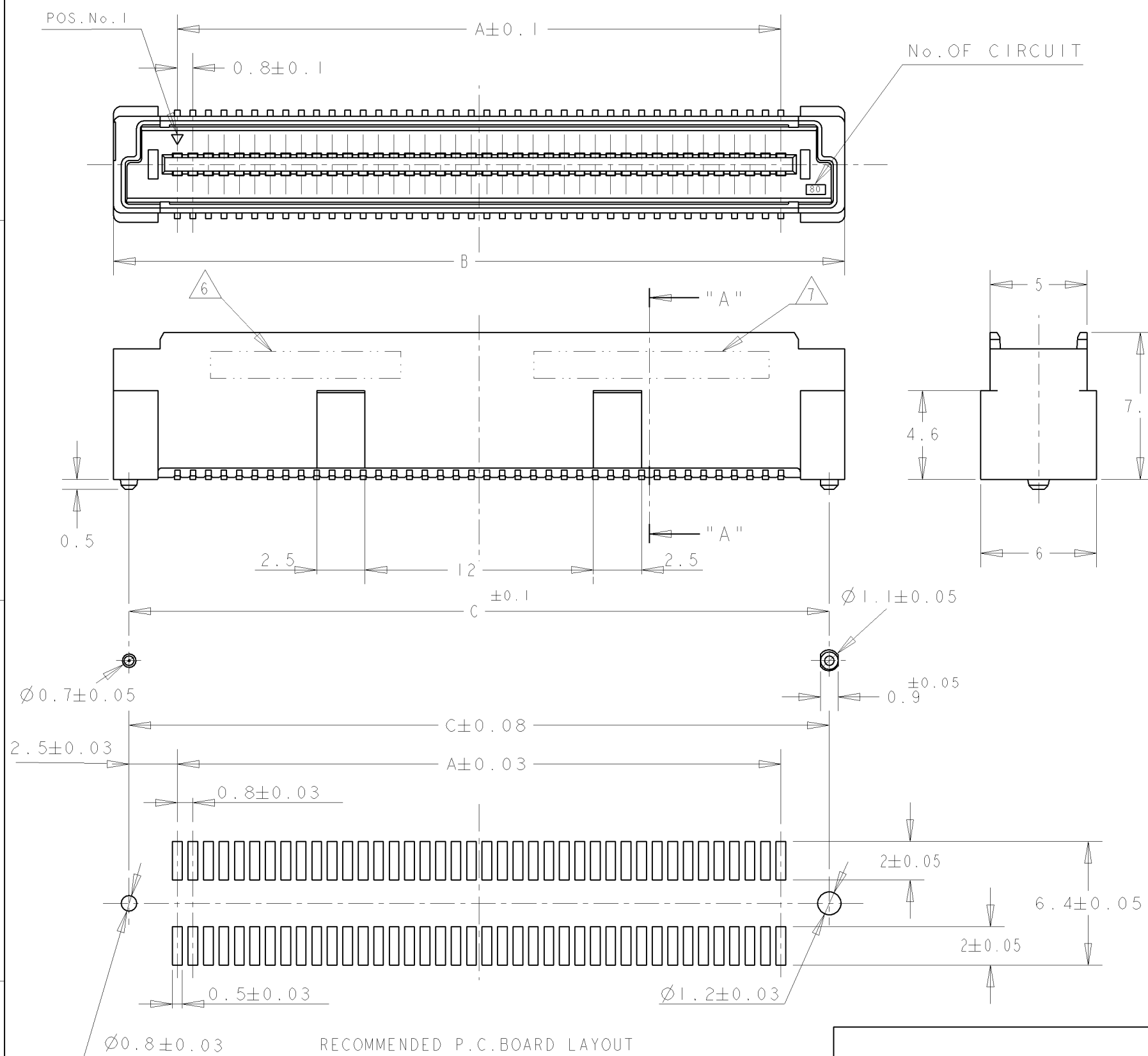


THIS DRAWING IS UNPUBLISHED. RELEASED FOR PUBLICATION .19  
 © COPYRIGHT 19 BY - ALL RIGHTS RESERVED.

LOC	DIST	REVISIONS				
P	LTR	DESCRIPTION	DATE	DWN	APVD	
	G2	REVISED PER ECO-11-005139	19MAR11	RK	HMR	



- NOTES:
- 1 MATERIAL: HOUSING: L.C.P (HIGH TEMP THERMO PLASTIC)  
UL 94V-0, NATURAL.  
CONTACT: BRASS.
  - 2 FINISH: CONTACT AREA: 0.0002 MIN GOLD ON  
0.0013 MIN ALL OVER NICKEL.  
SOLDERING AREA: 0.001 MIN TIN-LEAD.
  - 3. POSITION SERIES; SEE TABLE.
  - 4. CONN STACK HEIGHT COMBINE OF PLUG "Y" H VS REC "X" H.  
STACK HEIGHT = Y + X - 5
  - 5 THIS ITEM IS PRELIMINARY.
  - 6 DATE CODE MARKING AT APPROXIMATE LOCATION AS SHOWN.
  - 7 PART NUMBER MARKING AT APPROXIMATE LOCATION AS SHOWN.
  - 8 OBSOLETE PARTS: OBSOLETE CIS STREAMLINING PER D.RENAUD/D.SINISI

DWN T. KUSUHARA 30MAR93		TE Connectivity	
CHK I. ENOMOTO			
APVD SF LEONG		NAME	
PRODUCT SPEC		PLUG ASSEMBLY 8H TYPE (0.5 BOSS LENGHT)	
APPLICATION SPEC		FOR FH 0.8MM PITCH B-T-B CONNECTOR	
WEIGHT -		SIZE A3	CAGE CODE 00779
CUSTOMER DRAWING		DRAWING NO C-179031	SCALE 4:1
		SHEET 1 OF 2	REV G2

4

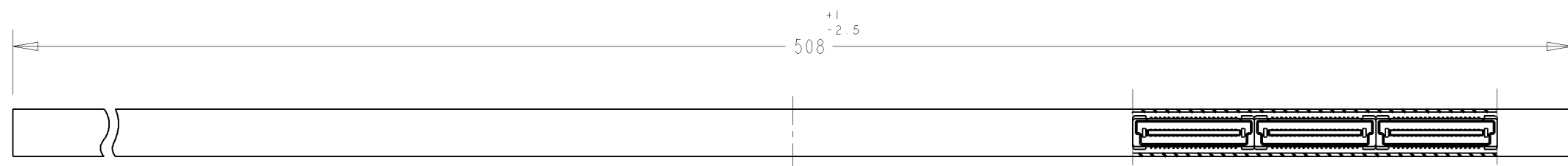
3

2

1

THIS DRAWING IS UNPUBLISHED. RELEASED FOR PUBLICATION .19 .  
 BY - ALL RIGHTS RESERVED.

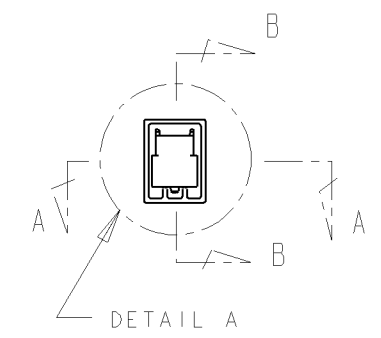
LOC	DIST	REVISIONS					
DY	-	P	LTR	DESCRIPTION	DATE	DWN	APVD
				SEE SHEET 1			



SECT A-A

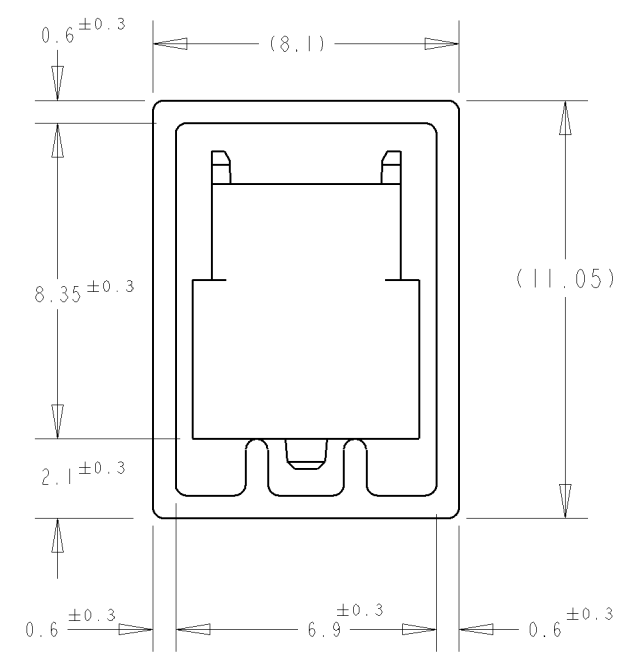


SECT B-B



P/N 9-912056-4 PLUG ASS'Y (H=5mm, W/STEEL COVER), 0.8mm BTB STACKING CONN

REFERENCE PICTURE OF TUBE PACK



DETAIL "B"  
(SCALE 5-1)

5 8 **OBSELETE**

14	32.2	33.8	27.2	70		
5	84.2	85.8	79.2	200	1-	-0
6	76.2	77.8	71.2	180		-9
6	68.2	69.8	63.2	160		-8
7	60.2	61.8	55.2	140		-6
9	52.2	53.8	47.2	120		-5
10	44.2	45.8	39.2	100		-4
12	36.2	37.8	31.2	80		-3
16	28.2	29.8	23.2	60		-2
22	20.2	21.8	15.2	40		179031-1
QTY/TUBE	C	B	A	POS.	CONN P/N	

DWN T. KUSUHARA 30MAR93		TE Connectivity	
CHK I. ENOMOTO			
APVD SF LEONG		NAME	
PRODUCT SPEC 108-5390		PLUG ASSEMBLY 8H TYPE (0.5 BOSS LENGHT)	
APPLICATION SPEC 114-5254		FOR FH 0.8MM PITCH B-T-B CONNECTOR	
MATERIAL		SIZE A3	CAGE CODE 00779
FINISH		DRAWING NO C-179031	
CUSTOMER DRAWING		SCALE 4:1	SHEET 2 OF 2
		REV G2	