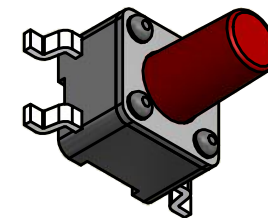
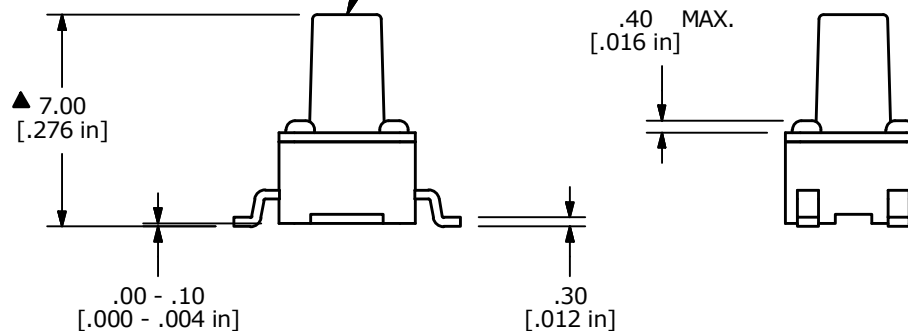
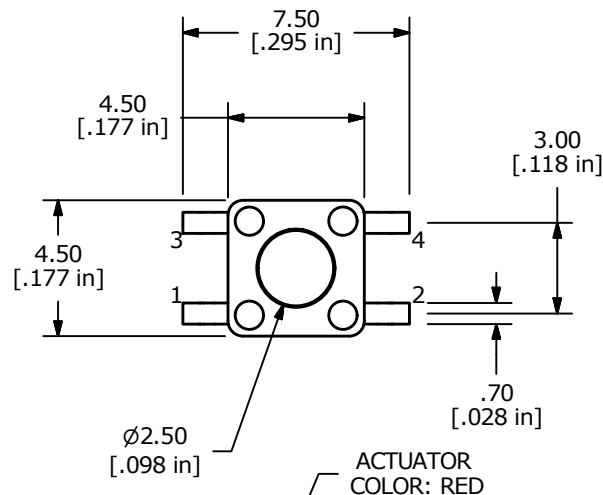


▲ CIRCUIT: SPST

NOTES:

1. ALL DIMENSIONS IN MM
2. GENERAL TOLERANCE: X.X=±0.4  
X.XX=±0.25
3. TERM. NOS. FOR REFERENCE ONLY.
4. CONTACT MATERIAL: SILVER
5. RATING: 12VDC, 50mA
- ▲ 6. OPERATING FORCE: 260 ± 50 gms
7. TRAVEL: 0.20 +/- 0.10 mm
8. CONTACT RESISTANCE: 100 MILLI OHMS MAX. (INITIAL)
9. MECHANICAL/ELECTRICAL LIFE 200,000 CYCLES MIN.
10. INSULATION RESISTANCE: 100M OHMS MIN @ 100VDC
11. DIELECTRIC STRENGTH: 250VAC
12. OPERATING TEMPERATURE: -20°C TO +70°C
13. STORAGE TEMPERATURE: -30°C TO +80°C
14. ▲ DENOTES CRITICAL PARAMETER
15. 2011/65/EU (ROHS) COMPLIANT
16. PACKAGING: TAPE AND REEL, 1000 PIECES PER REEL.



TITLE TL3305CF260QG				
SCALE	DATE	DR	DWG	REV
4:1	10/9/2015	rc	P010473	C

THE INFORMATION CONTAINED IN THIS DOCUMENT IS PROPRIETARY TO E-SWITCH AND IS NOT TO BE COPIED OR TRANSFERRED