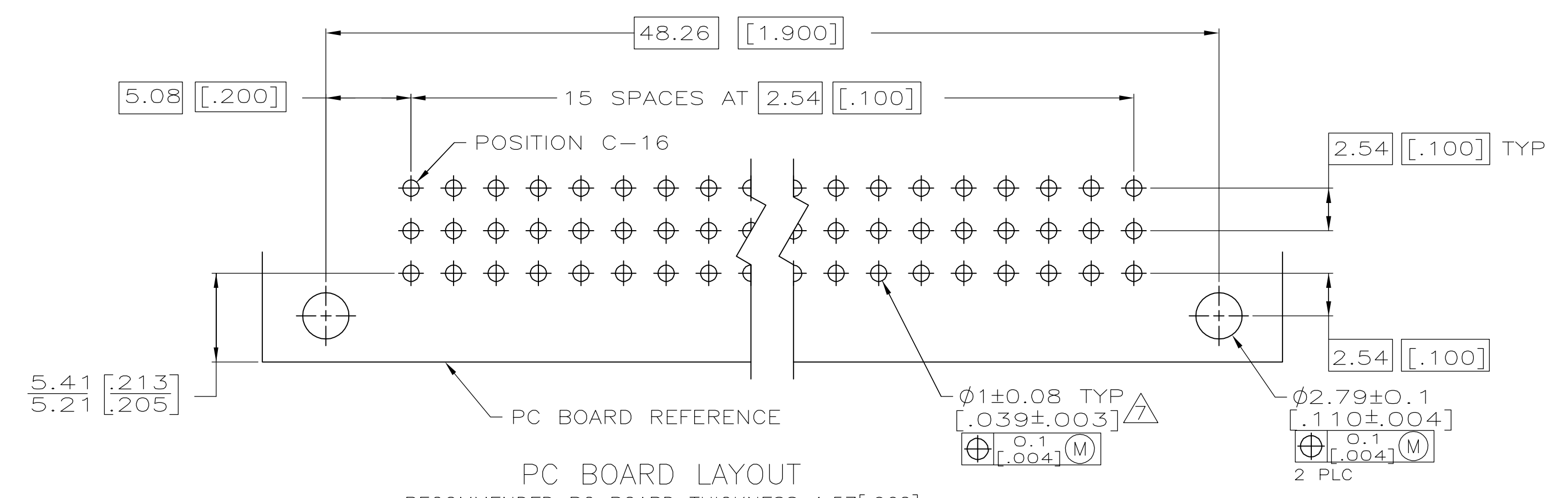
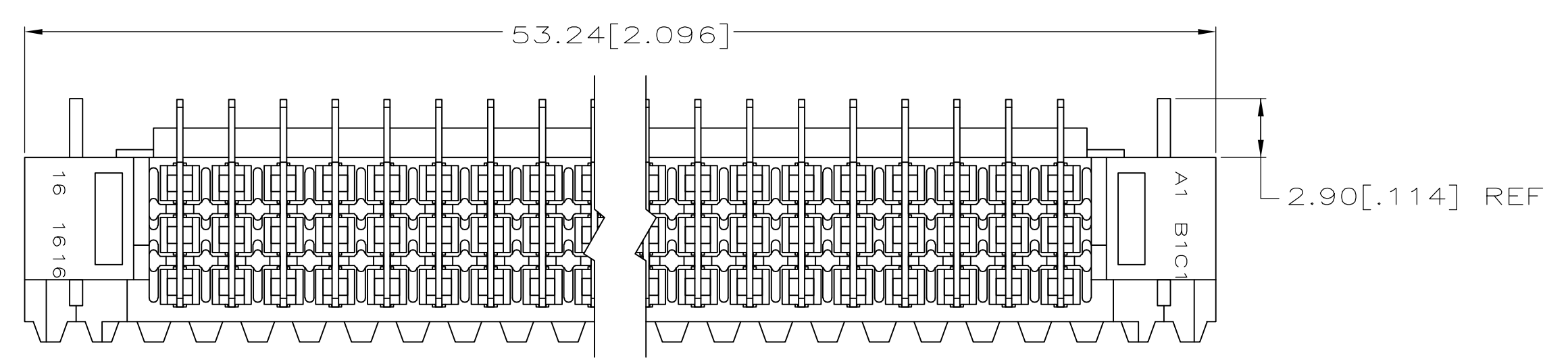
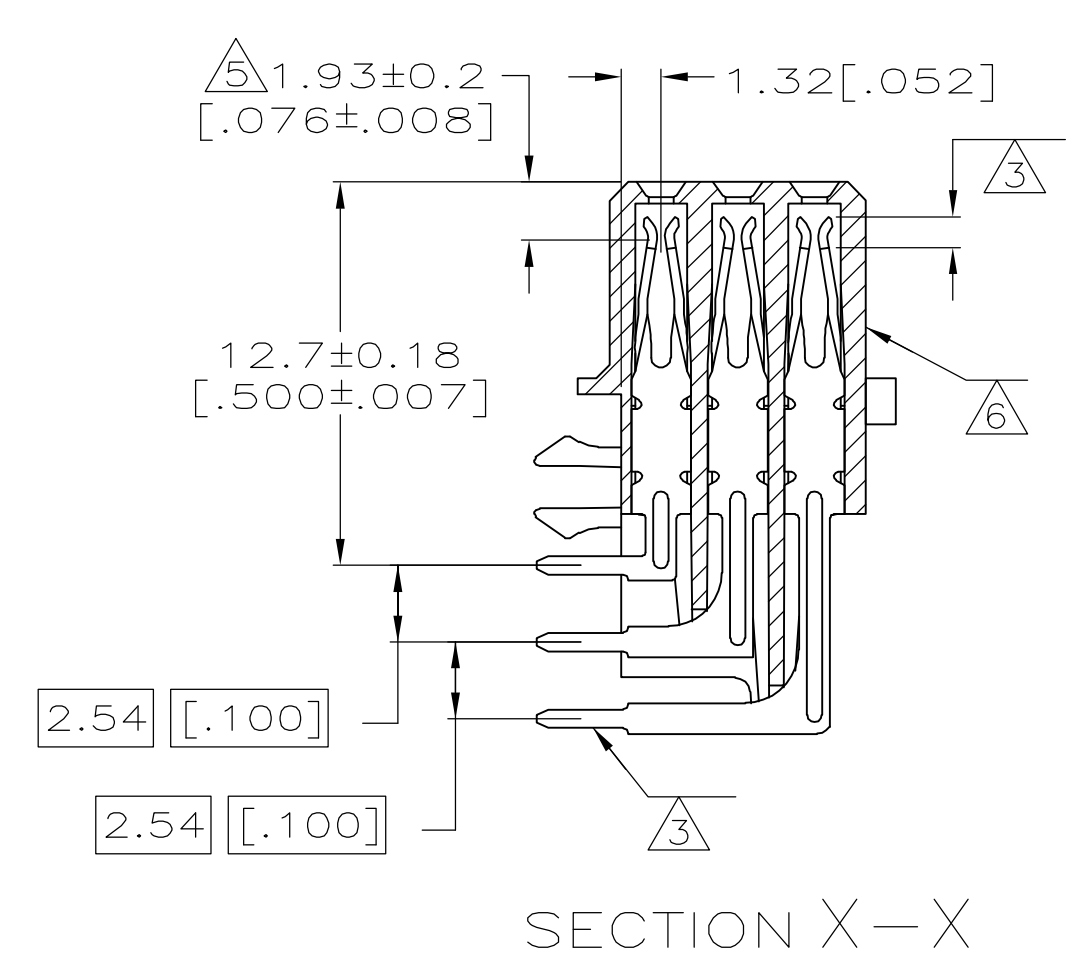
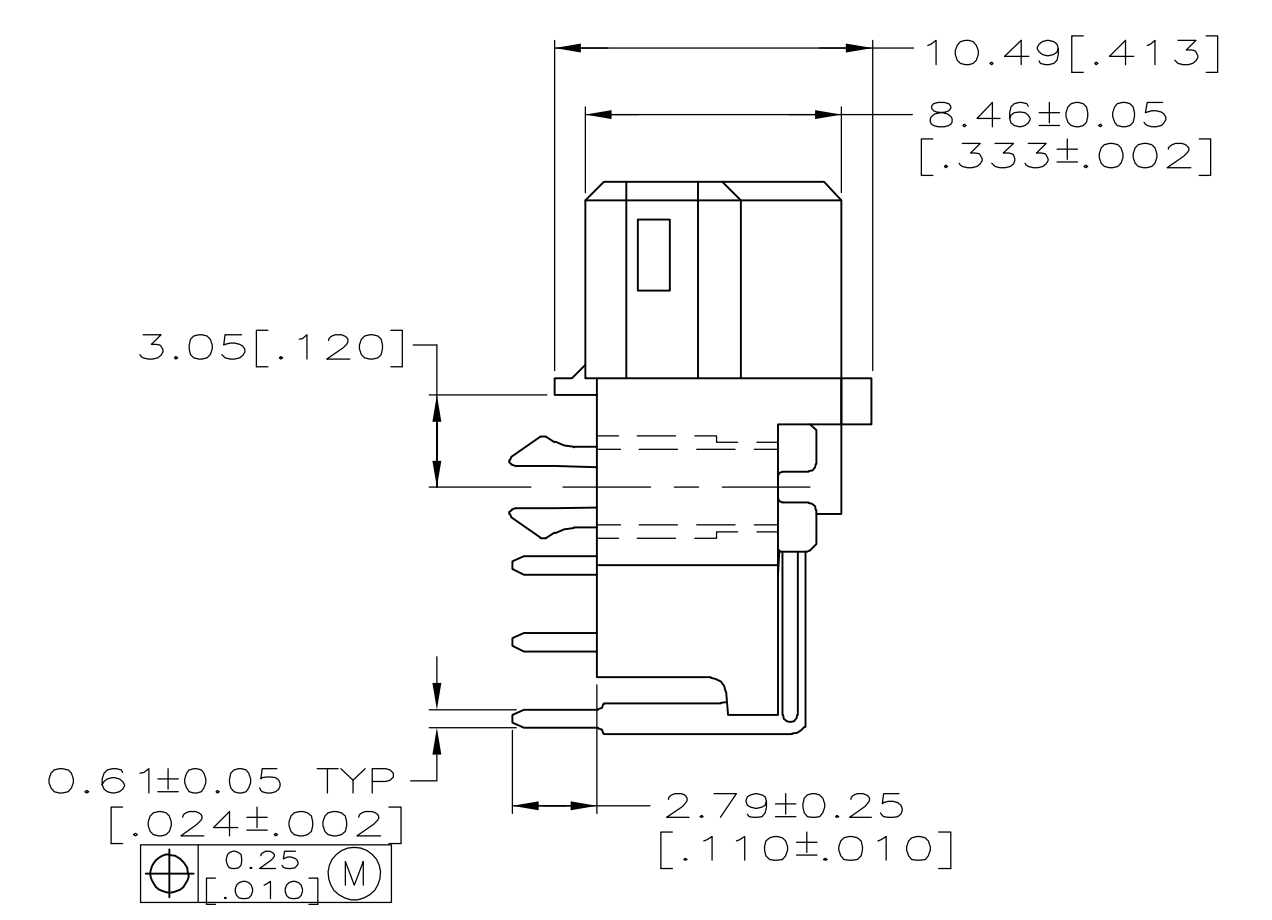
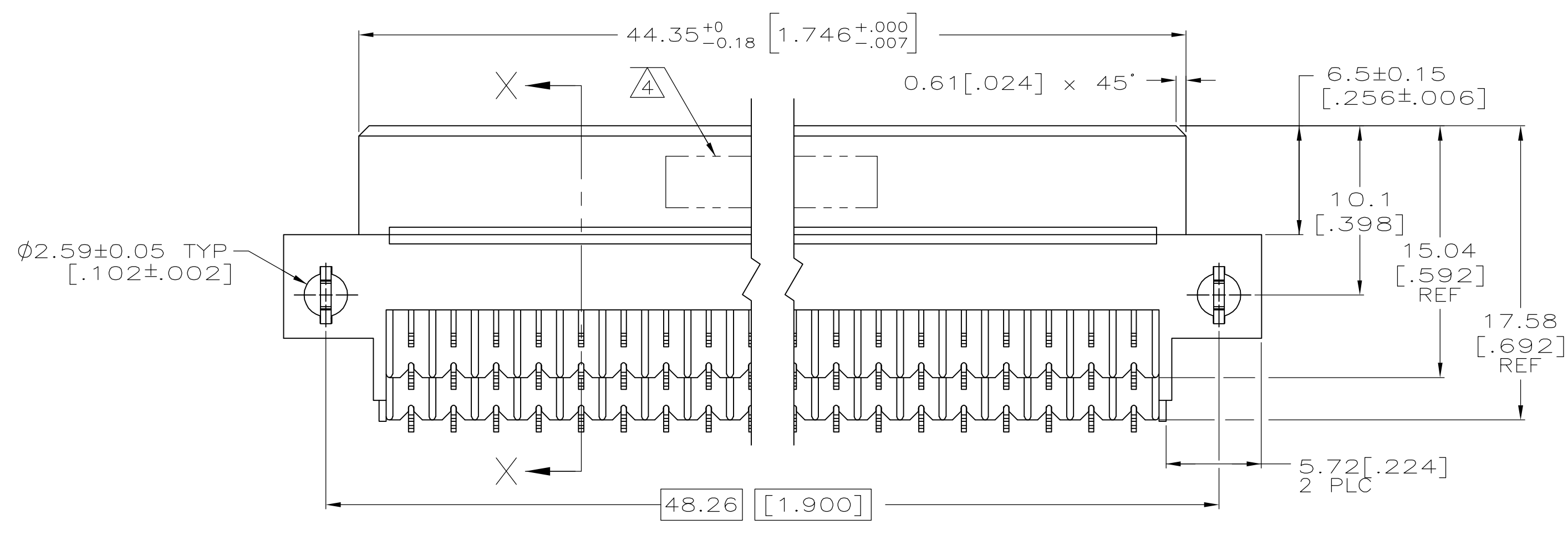


- 1 HOUSING MATERIAL: GLASS-FILLED POLYMER.
- 2 CONTACT MATERIAL: COPPER ALLOY.
- 3 POST FINISH: DIN 41612 CLASS 2 IN CONTACT AREA. TIN-LEAD PLATE ON POSTS.
- 4 PART NUMBER, DATE CODE IDENTIFICATION, CSA LOGO, THIS APPROXIMATE AREA.
- 5 CONTACT POINT.
- 6 MARKING ON THIS SIDE.
- 7 RECOMMENDED HOLE SIZE FOR MANUAL APPLICATION OF CONNECTOR ONTO PC BOARD.



| | | | | | |
|------------------|---|---|---|-------------------------|-------------|
| 1-16 | X | X | X | 48 | 5650893-5 |
| 1-16 | X | X | X | 48 | 5650893-4 |
| POSITIONS LOADED | C | B | A | NO. OF LOADED POSITIONS | PART NUMBER |
| | | | | | |

THIS DRAWING IS A CONTROLLED DOCUMENT.

| | | | | | |
|------|--------------|---------|----------------------------|---|---|
| DW | J. POLIGNONE | 03JUN05 | tyco Electronics | Tyco Electronics Corporation Harrisburg, Pa 17105-3608 | |
| CHK | A. SHARPE | 03JUN05 | | NAME | ASSEMBLY, RECEPTACLE, EUROCARD, TYPE 1/2R, LEAD-FREE, 48 POSITION, 2.79[.110] SOLDER POSTS WITH BOARD-LOCKS |
| APPD | A. SHARPE | 03JUN05 | PRODUCT SPEC | APPLICATION SPEC | SIZE |
| | | | | | CAGE CODE |
| | | | | | DRAWING NO |
| | | | | | RESTRICTED TO |
| | | | | | SCALE |
| | | | | | SHEET |
| | | | | | REV |

CUSTOMER DRAWING