

JC0-0351NL

4

3

2

NOTICE: THE INFORMATION AND DESIGN CONTAINED HEREIN IS THE PROPERTY OF PULSE WHO RESERVES ALL RIGHTS THERETO.

NOTES: UNLESS OTHERWISE SPECIFIED

- 1. THIS COMPONENT CONFORMS TO UL60950. UL FILE NO. IS: E216117.

**WARNING:**



THIS COMPONENT IS RECOGNIZED BY ONE OR MORE SAFETY AGENCIES SUCH AS UL, VDE, CSA AND/OR TUV. ALL ENGINEERING CHANGES MUST HAVE PRIOR APPROVAL BY THE DESIGN CENTER QUALITY DEPARTMENT FOR SAFETY AGENCY COMPLIANCE.

ECN APPROVAL:

QA APPROVAL:

DATE:

- 2.

**NOTICE:**



THIS IS A RoHS COMPLIANT COMPONENT/PRODUCT. ALL ENGINEERING CHANGES MUST HAVE PRIOR APPROVAL BY THE DESIGN CENTER.

- 3. PLASTIC HOUSING: THERMOPLASTIC MATERIAL WITH FLAMMABILITY RATING UL 94V-0 OR BETTER.
- 4. CONTACT BASE MATERIAL: PHOSPHOR BRONZE.
- 5. CONTACTS UNDERPLATE: 50 MICROINCHES DUCTILE NICKEL.
- 6. CONTACTS PLATING: 30 MICRO-INCH HARD GOLD PLATING.
- 7. SOLDER TAIL PLATING MATERIAL: 100% TIN, MATTE FINISH.
- 8. METAL SHIELD: NICKEL PLATING ON COPPER ALLOY.
- 9. JACK CAVITY CONFORMS TO FCC RULES AND REGULATIONS PART 68 SUBPART F.
- 10. PCB PLATING: EG (TOP PCB)  
ENIG (BOTTOM PCB)
- 11. SOLDERABILITY: CONFORMS TO ANSI/J-STD-002, IPC/EIA J-STD-003A.
- 12. OPERATING TEMPERATURE: 0°C TO +70°C
- 13. STORAGE TEMPERATURE: -20°C TO +125°C
- 14. JEDEC MOISTURE: LEVEL 1.
- 15. REVISION: MX1, MX2, ..... ARE PRELIMINARY.

PULSE CONFIDENTIAL AND PROPRIETARY



PRODUCT SPECIFICATION

TITLE

CONN, RJ45, 2X2, 1GD, 1:1, TY

SIZE	CAGE CODE	DWG. NO.	REV.
B	01961	JC0-0351NL	M12
SCALE	CADD FILE	SHEET	1 OF 5
NONE	M-JC0-0351NL-1		

120C12004

4

2

1

JCO-0351NL 4  
 NOTICE: THE INFORMATION AND DESIGN CONTAINED HEREIN IS THE PROPERTY OF PULSE WHO RESERVES ALL RIGHTS THERETO.

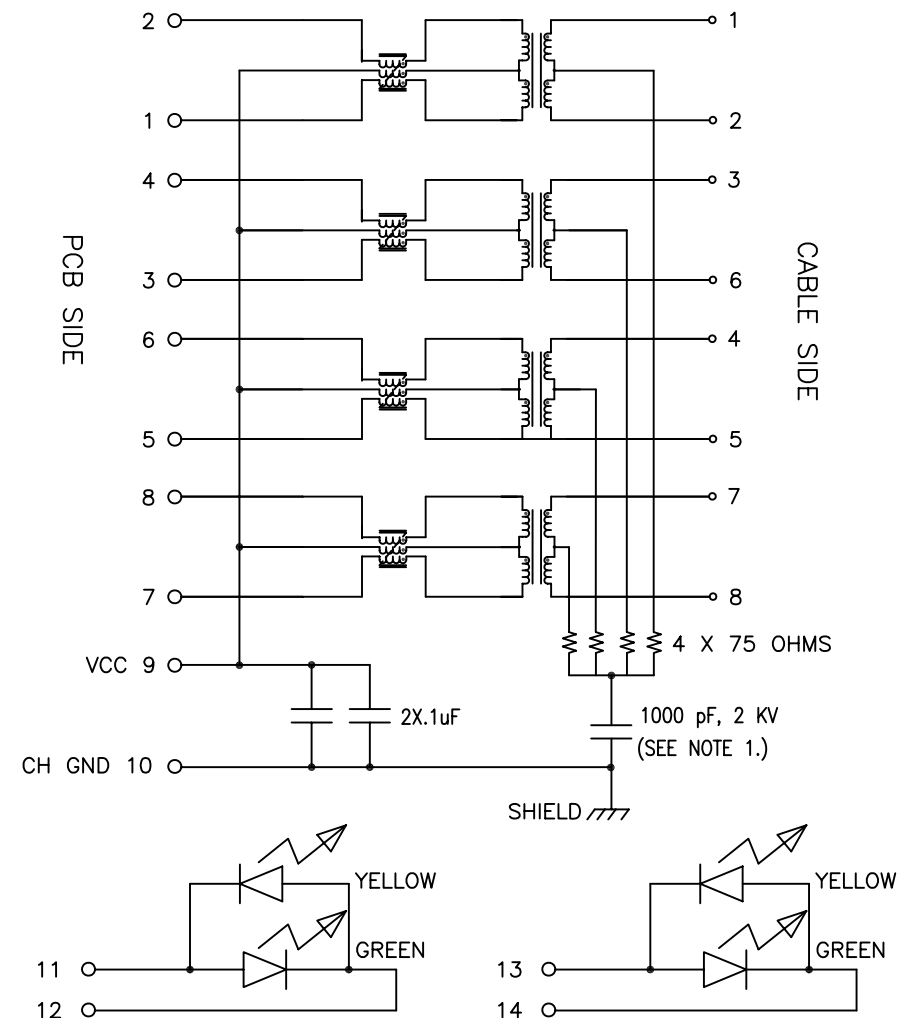
ELECTRICAL CHARACTERISTICS AT +25°C UNLESS OTHERWISE SPECIFIED (FOR REFERENCE ONLY. USED FOR CUSTOMER INFORMATION.)

PARAMETER	SPECIFICATIONS	
OPERATING TEMP	0°C - 70°C	
TURNS RATIO	1.00 ± 2%	
POLARITY	PER SCHEMATIC	
INSERTION LOSS	100 KHz	1-125 MHz
	-1.2 dB MAX	-0.2-0.002*f <sup>1.4</sup> dB MAX
RETURN LOSS (Z OUT = 100 OHM ±15%)	.1-40 MHz	40-100 MHz
	-18 dB MIN	-12+20*LOG <sub>10</sub> (f/80 MHz) dB MIN
INDUCTANCE (OCL) (MEDIA SIDE, 0°C-70°C)	350 uH MIN (MEASURED AT 100 KHz, 100 mVRMS) (AND WITH 8 mA DC BIAS)	
CROSSTALK, ADJACENT CHANNELS	1 MHz	10-100 MHz
	-50 dB MIN	-55+22*LOG <sub>10</sub> (f/10) dB MIN
COMMON MODE REJECTION RATIO	2 MHz	30-200 MHz
	-50 dB MIN	-15+20*LOG <sub>10</sub> (f/200) dB MIN
INPUT - OUTPUT ISOLATION	2250 VDC MIN @ 60 SECONDS	

NOTE: f IS FREQUENCY IN MHz.

EMMITTED COLOR	GREEN	YELLOW
WAVELENGTH (nm)	570 nm	587 nm
BRIGHTNESS (mCD)	8 TYP. AT 20 mA	6.5 TYP. AT 20 mA
VIEWING ANGLE	100°	100°
POWER DISSIPATION (Pd)	80 mW MAX	80 mW MAX
FORWARD VOLTAGE (Vf)	2.0 TO 2.6 V (UPPER PORT)	2.1 TO 2.6 V (UPPER PORT)
	2.2 TO 2.8 V (LOWER PORT)	2.15 TO 2.8 V (LOWER PORT)
REVERSE VOLTAGE (Vr)	5.0 V MAX	5.0 V MAX

NOTE: PER VENDOR'S SPECIFICATIONS



SCHEMATIC EACH PORT (4 PLACES)

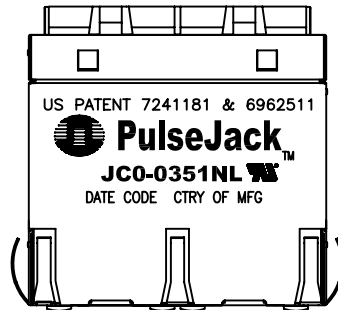
NOTE 1: HIGH-VOLTAGE CAPACITOR IS COMMON FOR UPPER AND LOWER PORTS.

PULSE CONFIDENTIAL AND PROPRIETARY

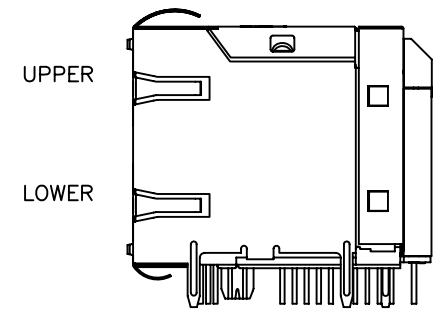
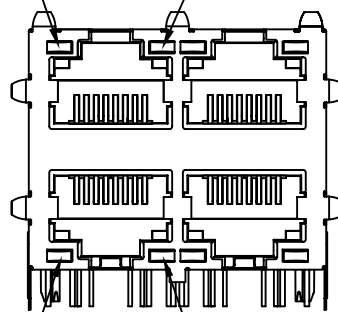
SIZE	CAGE CODE	DWG. NO.	REV.
B	01961	JCO-0351NL	M12
SCALE	CADD FILE	SHEET	
NONE	M-JCO-0351NL-2	2 OF 5	

JCO-0351NL 4

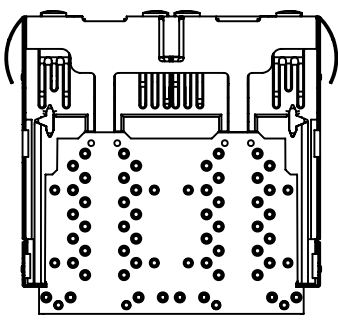
NOTICE: THE INFORMATION AND DESIGN CONTAINED HEREIN IS THE PROPERTY OF PULSE WHO RESERVES ALL RIGHTS THERETO.



GREEN/YELLOW GREEN/YELLOW



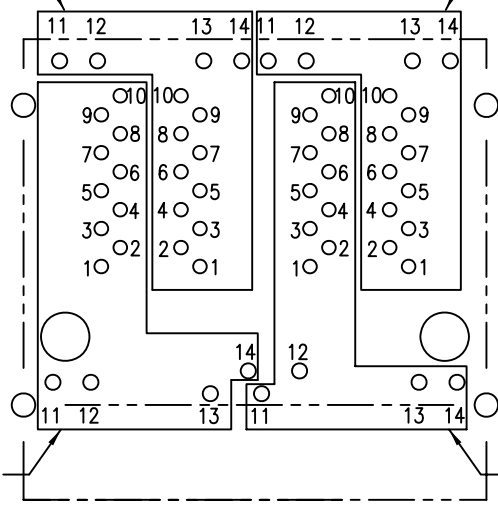
GREEN/YELLOW GREEN/YELLOW



FINAL OUTLINE

UPPER PORT PINS

UPPER PORT PINS



LOWER PORT PINS

LOWER PORT PINS

FOOTPRINT (VIEWED FROM TOP SIDE)

PULSE CONFIDENTIAL AND PROPRIETARY				
SIZE	CAGE CODE	DWG. NO.	REV.	
B	01961	JCO-0351NL	M12	
SCALE	NONE	CADD FILE	M-JCO-0351NL-3	SHEET 3 OF 5

JCO-0351NL

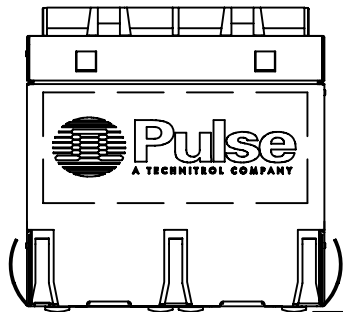
4

3

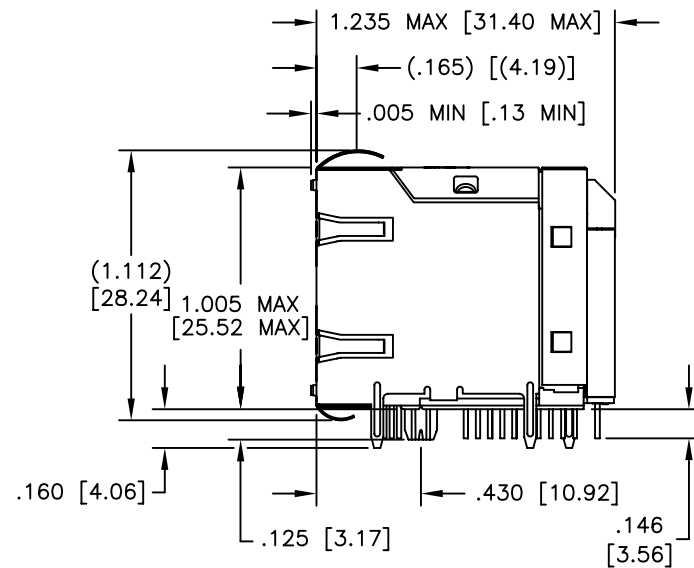
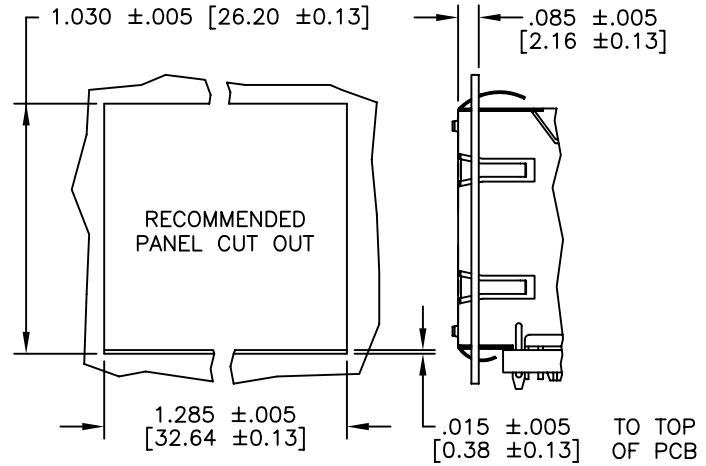
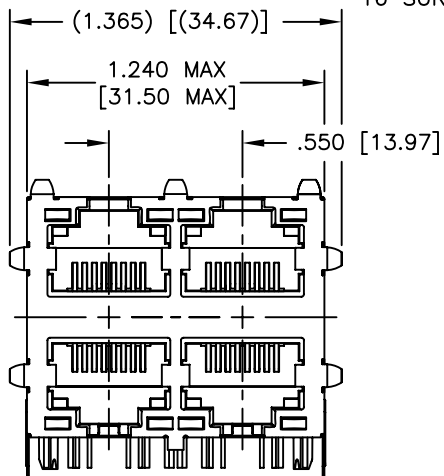
2

1

NOTICE: THE INFORMATION AND DESIGN CONTAINED HEREIN IS THE PROPERTY OF PULSE WHO RESERVES ALL RIGHTS THERETO.



$\frac{1}{16}$  .025 [0.63]  
16 SURFACES



UNLESS OTHERWISE SPECIFIED, ALL DIMENSIONS ARE IN INCHES TOLERANCES ARE:

DECIMALS .XX ±.01 .XXX ±.005 ANGLES ±

DO NOT SCALE DRAWING

PULSE CONFIDENTIAL AND PROPRIETARY

SIZE	CAGE CODE	DWG. NO.	REV
B	01961	JCO-0351NL	M12
SCALE	CADD FILE	M-JCO-0351NL-4	SHEET 4 OF 5
NONE			

PS-2416.121-A

120CT2004

4

3

2

1

D

D

C

C

B

B

A

A

JCO-0351NL

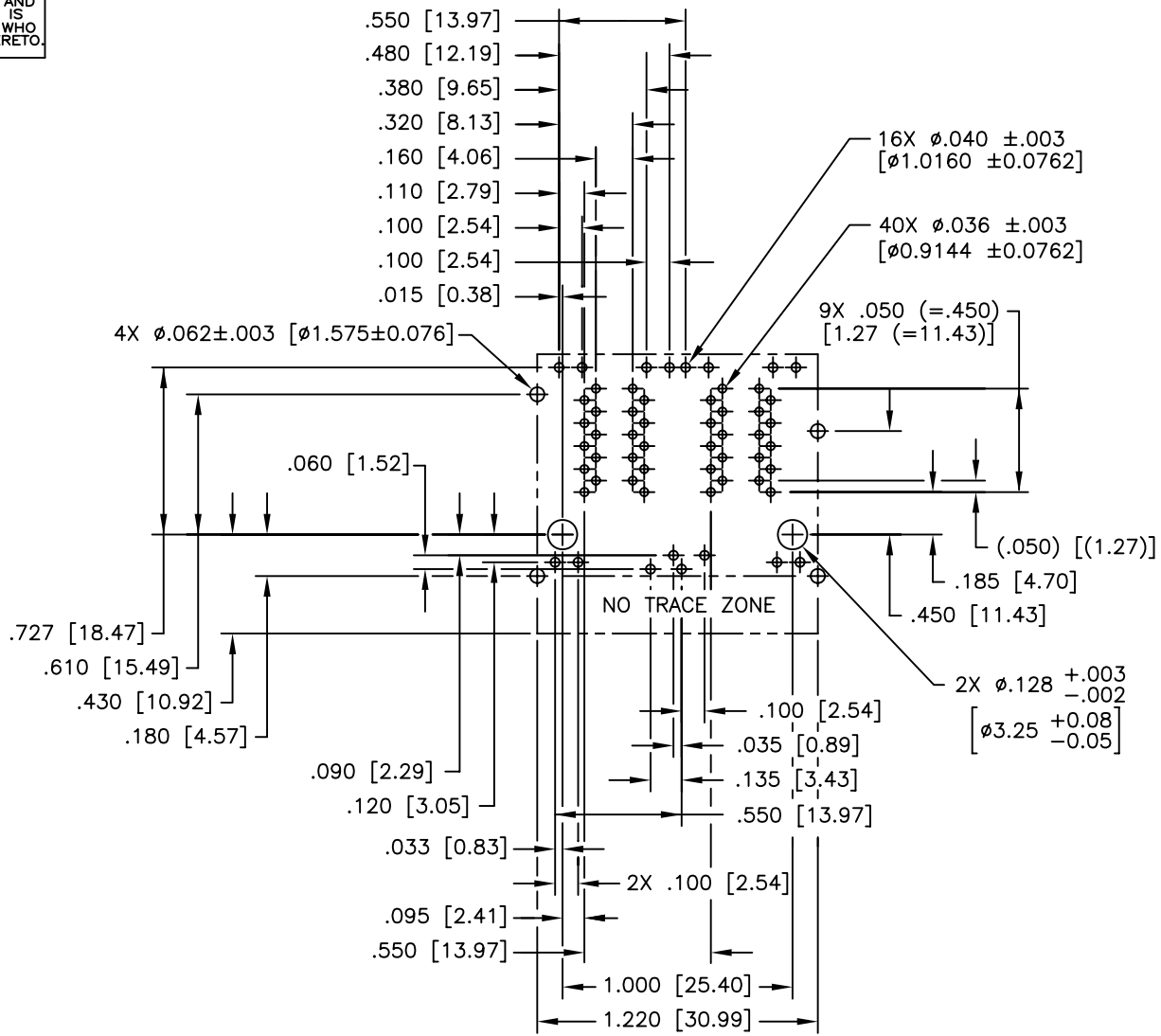
4

3

2

1

NOTICE: THE INFORMATION AND DESIGN CONTAINED HEREIN IS THE PROPERTY OF PULSE WHO RESERVES ALL RIGHTS THERETO.



SUGGESTED PC BOARD LAYOUT VIEWED FROM COMPONENT SIDE  
UNLESS OTHERWISE SPECIFIED DIMENSIONAL TOLERANCE IS ±.002

UNLESS OTHERWISE SPECIFIED, ALL DIMENSIONS ARE IN INCHES TOLERANCES ARE:

DECIMALS: .XX ±.01  
ANGLES: ±

DO NOT SCALE DRAWING

PULSE CONFIDENTIAL AND PROPRIETARY

SIZE	CAGE CODE	DWG. NO.	REV
B01961		JCO-0351NL	M12
SCALE	CADD FILE	M-JCO-0351NL-5	SHEET 5 OF 5

PS-2416.121-A

4

3

2

1

D

D

C

C

B

B

A

A