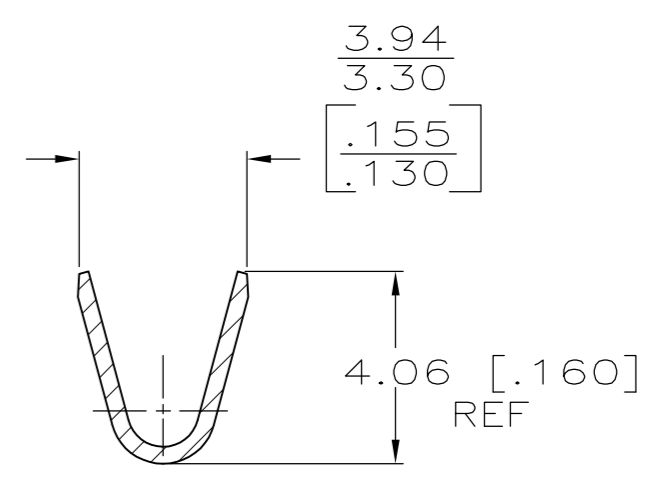
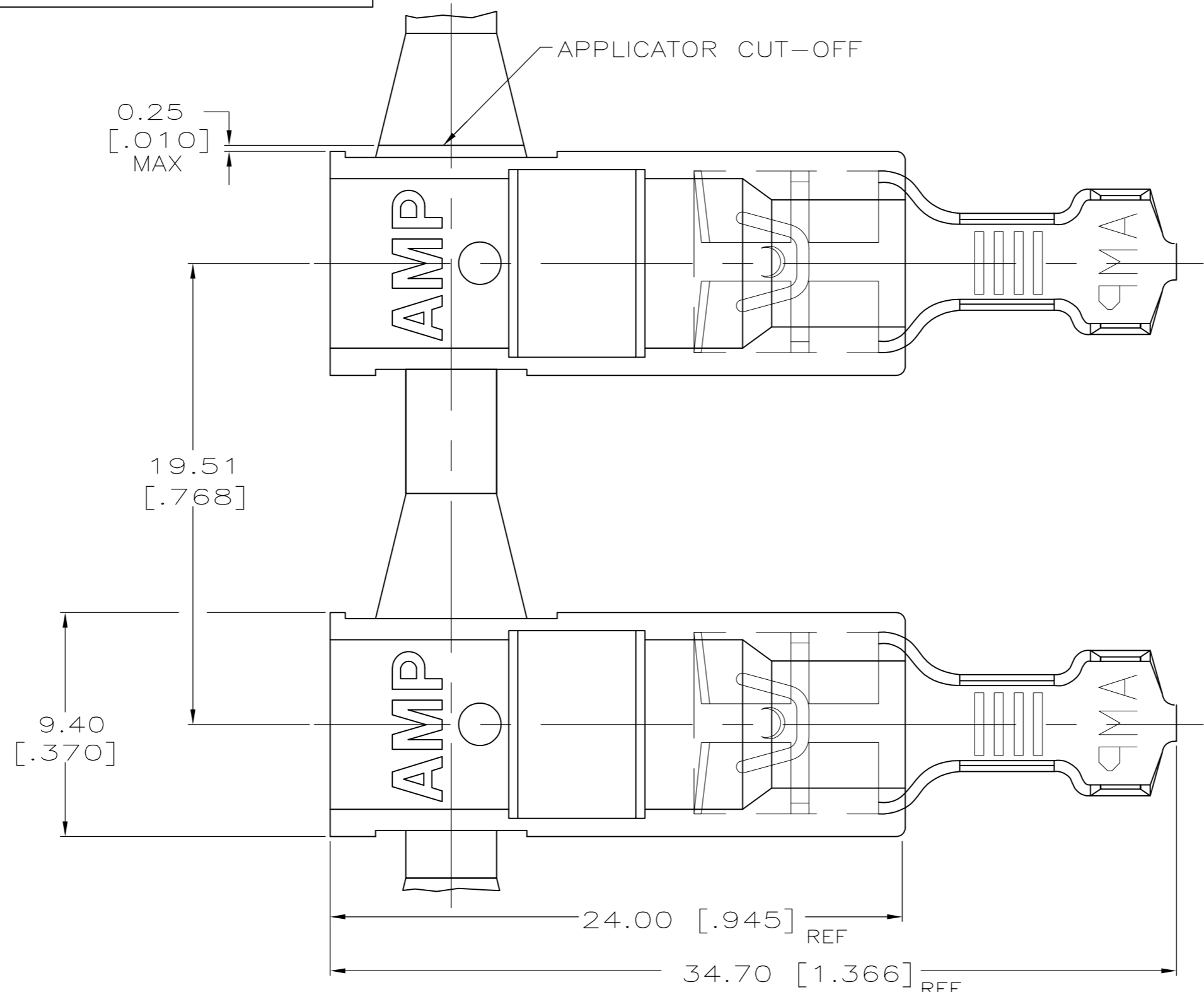
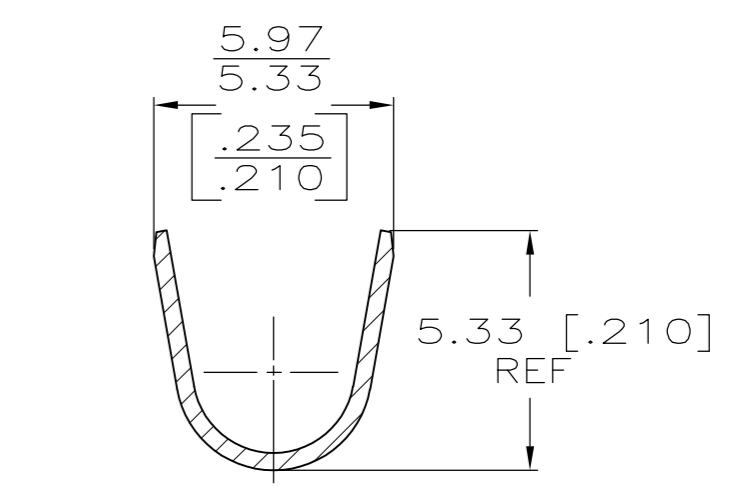
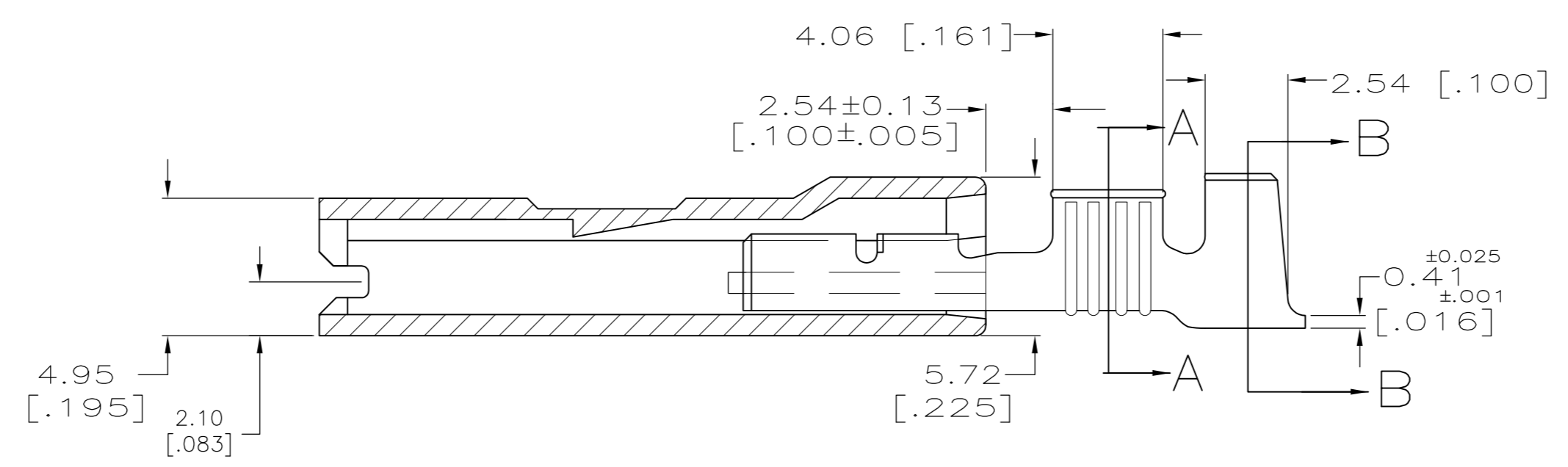


THIS DRAWING IS UNPUBLISHED. RELEASED FOR PUBLICATION
 © COPYRIGHT BY TYCO ELECTRONICS CORPORATION. ALL INTERNATIONAL RIGHTS RESERVED.

LOC	DIST	REVISIONS					
AF	50	P	LTR	DESCRIPTION	DATE	DWN	APVD
		C		REVISED PER ECR-10-001444	22FEB10	HMR	GP



SECTION A-A



SECTION B-B

- 1 PREMIER (STRESS-RELIEVED) LOW-INSERTION FASTON TERMINALS, BASE P/N 63306, ARE USED IN THIS PRODUCT.
- 2 MATING TAB THK IS 0.813±0.025 [.032±.001].
- 3 WIRE SIZE IS 0.8-2.0mm² [18-14] AWG.
- 4 INSULATION RANGE IS 3.05-4.32 [.120-.170] DIA.
- 5 PRELIMINARY - NOT FOR PRODUCTION
- 6 OFFERED FOR CONSIDERATION IN APPLICATIONS REQUIRING "NON-DRIP" HOUSING MATERIAL.

STANDARD	VO NYLON 66, NATURAL (WHITE)	4H BRASS WITH .000080 MIN TIN PL.	521547-2
STANDARD		4H BRASS, PLAIN	521547-1
PACKAGING	HOUSING	TERMINAL	PART NO
THIS DRAWING IS A CONTROLLED DOCUMENT.		MATERIAL / FINISH	
DIMENSIONS: mm [INCHES]	TOLERANCES UNLESS OTHERWISE SPECIFIED:	DWN JR RUTH 31mar03 CHK J HUMMEL 31MAR03 APVD J HUMMEL 31MAR03 PRODUCT SPEC 108-1285 APPLICATION SPEC 114-2124 MATERIAL SEE TABLE FINISH SEE TABLE	
0 PLC ± - 1 PLC ± - 2 PLC ± - 3 PLC ± 0.25 [.010] 4 PLC ± - ANGLES ± -		Tyco Electronics Corporation Harrisburg, PA 17105-3608 ASSEMBLY, ULTRA-POD, RECEPTACLE, 6.35 [.250] SERIES PREMIER STYLE SIZE A2 CAGE CODE 00779 DRAWING NO C=521547 RESTRICTED TO - CUSTOMER DRAWING SCALE 5:1 SHEET 1 of 1 REV C	