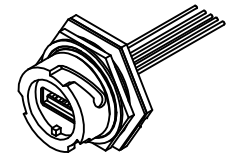
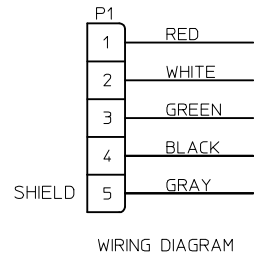
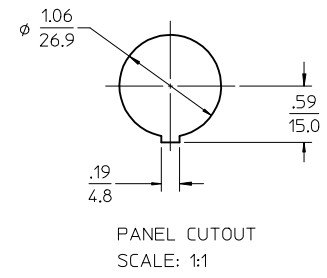
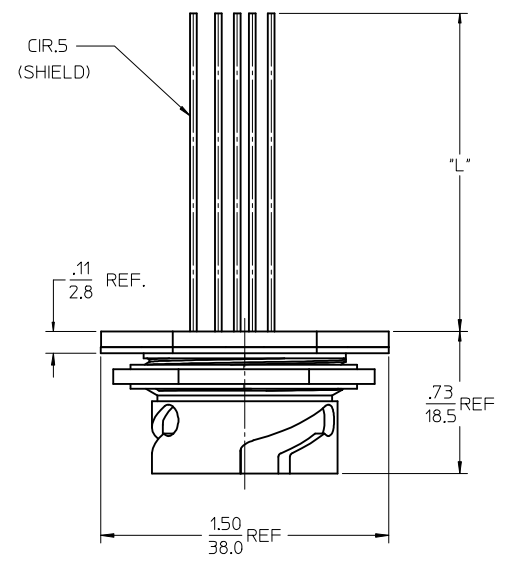
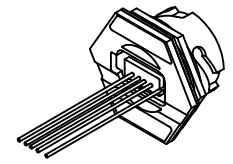
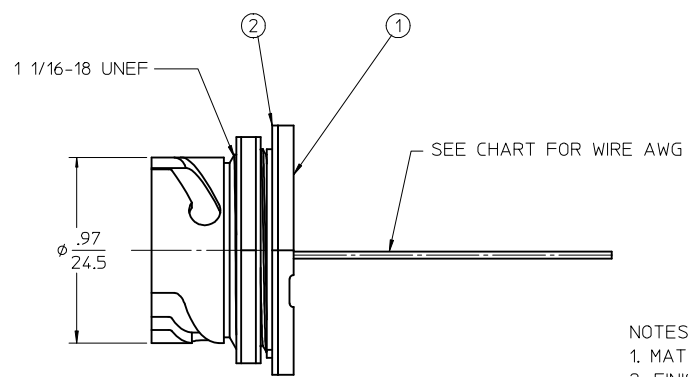
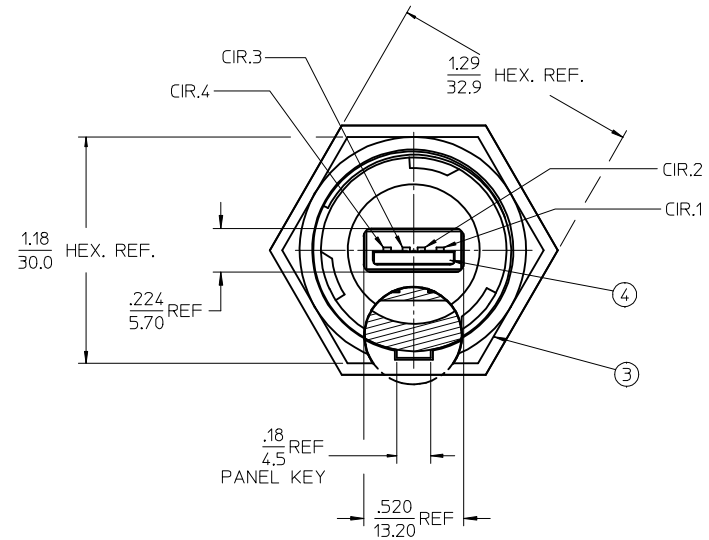


MATERIAL NO	ENGINEERING NO	WIRE AWG	"L" LENGTH	GASKET SEAL MATERIAL	COLOR
847290001	84729-0001	28	6.0" +.5/-0	NEOPRENE	BLACK
847290002	84729-0002	20	6.0" +.5/-0	NEOPRENE	BLACK
847290015	84729-0015	20	1100MM +25.4/-0	NEOPRENE	BLACK
847290019	84729-0019	20	200MM +25.4/-0	NEOPRENE	BLACK
847290023	84729-0023	28	9.0" +.5/-0	NEOPRENE	BLACK
847290029	84729-0029	28	6.0" +.5/-0	SILICONE	RED



AUX.VIEW Y
SCALE: 1:1



AUX.VIEW X
SCALE: 1:1

- NOTES:
1. MATERIAL: SEE TABLE
 2. FINISHES: SEE TABLE
 3. MATES WITH: INDUSTRY STD. BAYONET LOCKING USB TYPE A
 4. MAX PANEL THICKNESS .10

ITEM	QTY.	DESCRIPTION	MATERIAL	FINISH
4	1	USB RECEPTACLE, WITH WIRES	VENDOR SPEC.	NI PLATED CONTACTS
3	1	LOCK-NUT	PA	BLACK
2	1	GASKET SEAL	SEE CHART	SEE CHART
1	1	USB RECEPTACLE, PANEL MOUNT	PBT	BLACK

ADD PN 847290029 EC NO: IPG2014-1746 DRWR:STONE 2014/04/10 CHKD:R. RUPERT 2014/04/23 APPR:JF.MURPHY 2014/07/01	QUALITY SYMBOLS ▽=0 ▽=0	GENERAL TOLERANCES (UNLESS SPECIFIED)		DIMENSION STYLE IN/MM		SCALE 2:1	DESIGN UNITS INCH	THIRD ANGLE PROJECTION
		4 PLACES ± .005 3 PLACES ± .005 2 PLACES ± 0.13 ± .01 1 PLACE ± 0.3 ± .05 ANGULAR ± 1/2°	mm INCH ± .005 ± .005 ± 0.13 ± .01 ± 0.3 ± .05	DRAWN BY R.STONE	DATE 05-12-06	CHECKED BY R.DEROSS	DATE 06-01-05	TITLE USB-A RECEPTACLE WITH WIRES
DRAFT WHERE APPLICABLE MUST REMAIN WITHIN DIMENSIONS		MATERIAL NO. SEE CHART		APPROVED BY R.DEROSS		DATE 06-01-05	MOLEX INCORPORATED	
THIS DRAWING CONTAINS INFORMATION THAT IS PROPRIETARY TO MOLEX INCORPORATED AND SHOULD NOT BE USED WITHOUT WRITTEN PERMISSION						DOCUMENT NO. SD-84729-005	SHEET NO. 1 OF 1	