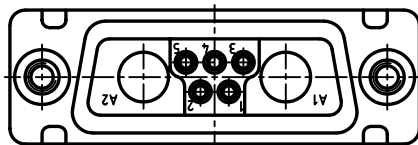
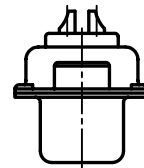
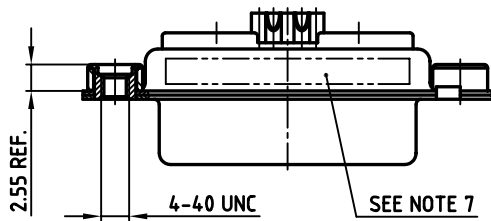
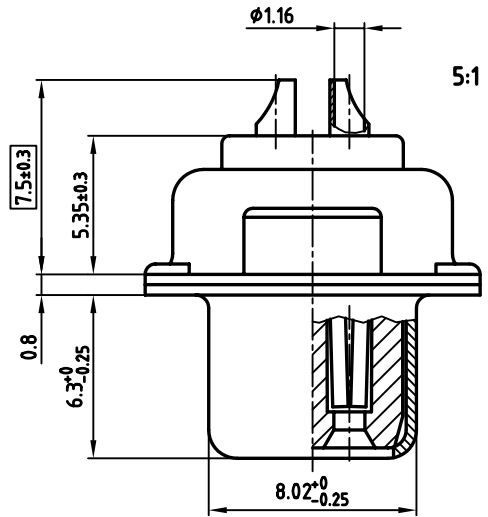
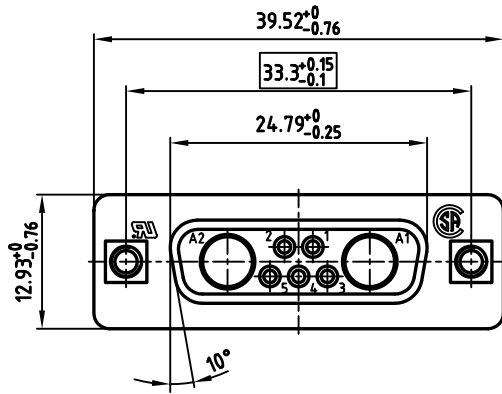


used for: D-SUB COMBINATION



NOTES:

1. METALSHELLS: STEEL; min. 320 μ" TIN
2. INSULATORS: PBT GF, UL 94 V-0; GREEN
3. CONTACTS: COPPER ALLOY
PLATING: MIN. 30μ" HARD GOLD OVER MIN. 50μ" NICKEL
SOLDER CUP ACCEPTS CABLE AWG 20
4. THREADED INSERT: COPPER ALLOY; min. 200μ" TIN over 80μ" NICKEL
5. COLLAR: COPPER ALLOY; min. 200μ" TIN over 80μ" NICKEL
6. MAXIMUM TORQUE VALUE FOR THREAD: 6" LBS
7. CONNECTOR IS PART MARKED: 3007W2SCM99A30X CONEC Y/WW
8. = CRITICAL DIMENSION

Directive 2002/95/EC
 „RoHS“
 Compliant

THIS DRAWING MAY NOT BE COPIED OR REPRODUCED IN ANY WAY, AND MAY NOT BE PASSED ON TO A THIRD PARTY, WITHOUT WRITTEN PERMISSION.
 OWNERSHIP AND COPYRIGHT OF CONEC GmbH
DO NOT ALTER CAD DRAWING BY HAND

	tolerance			scale:	2:1 (5:1)
				material:	SEE NOTES
	2002	date	name	title: D-SUB COMBINATION FEMALE 7W2S SOLDER CUP with threaded insert	
	drawn	11.11.	Parei		
	appd.	11.11.	Kühle		
	norm				
				d-old	
				dwg no:	AutoCAD 2000
					DIN-A
					13K2A691
					3
					sh: 1/1
				part no:	3007W2SCM99A30X

