

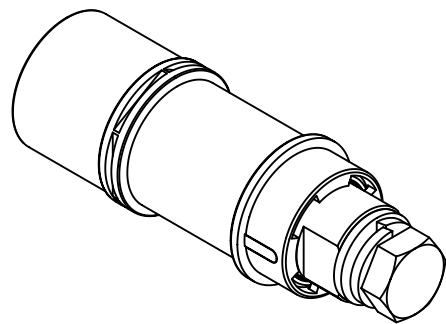
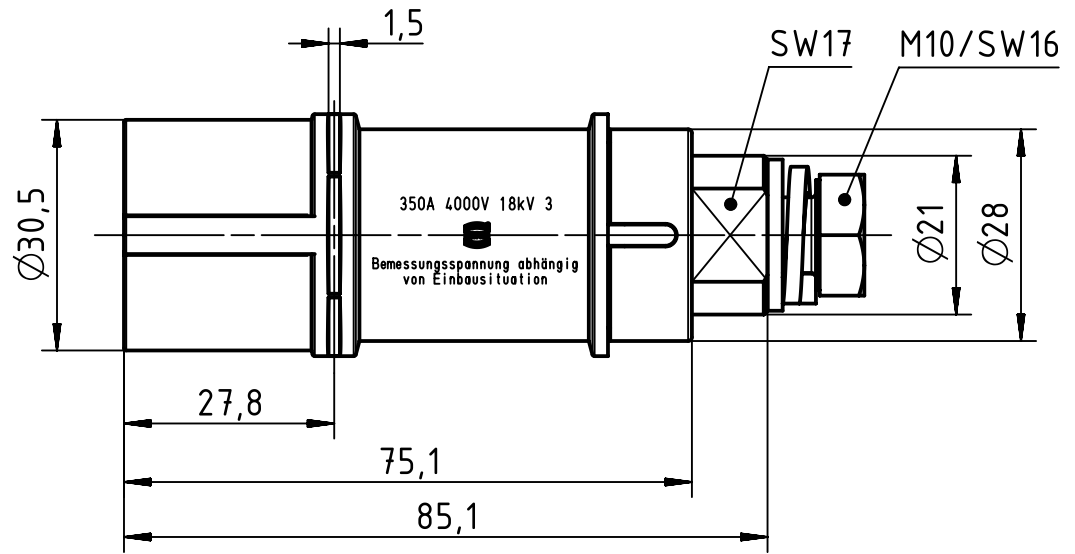
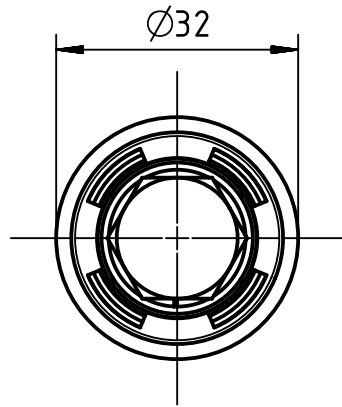
1 2 3 4 5 6

A

B

C

D



	All rights reserved Department EL PD - DE	All Dimensions in mm Original Size DIN A4		Scale 1:1	Free size tol.	Ref.
		HARTING Electric GmbH & Co. KG D-32339 Espelkamp	Created by HARLASSK	Inspected by SCHNIEDER	Standardisation SCHMIDTM	Date 2015-02-05
Title Han 1 HC 350 A / 4 kv male -screw						Doc-Key / ECM-Nr. 100132462/UGD/005/A 500000084656
Type TB				Number 09 11 001 2655		Rev. A
						Page 1/1