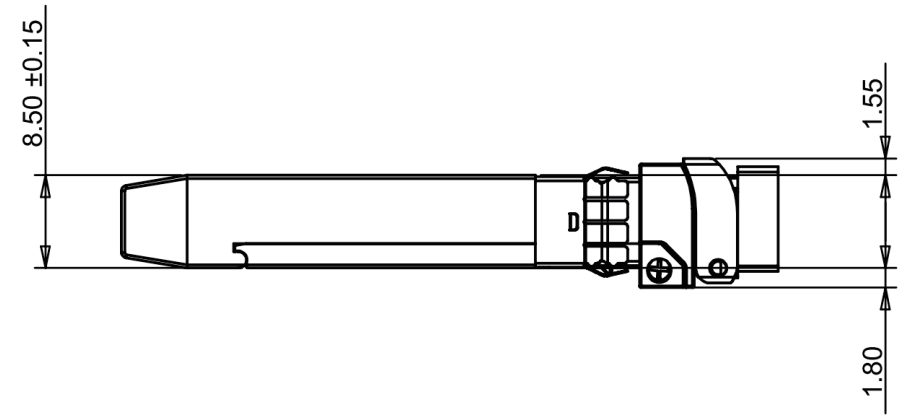


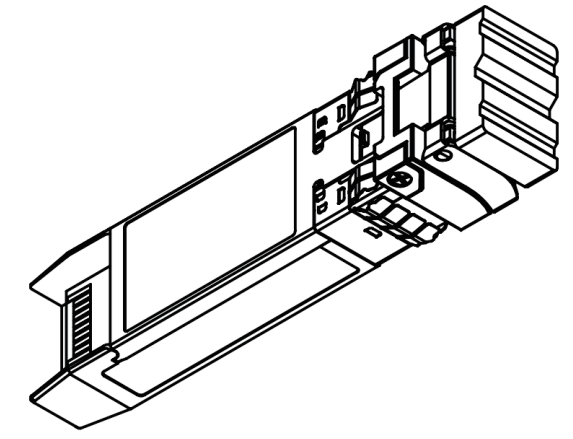
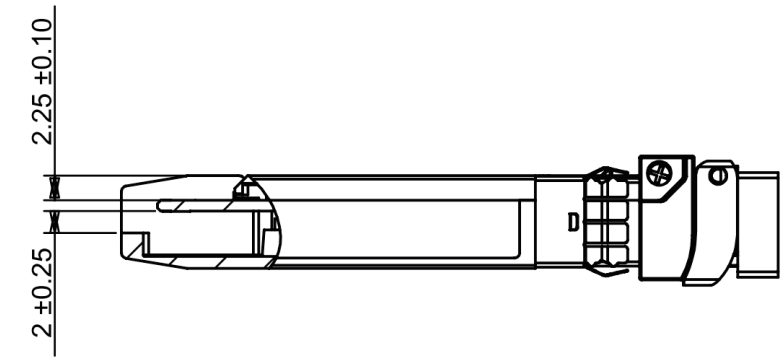
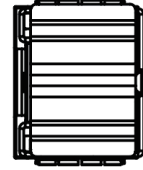
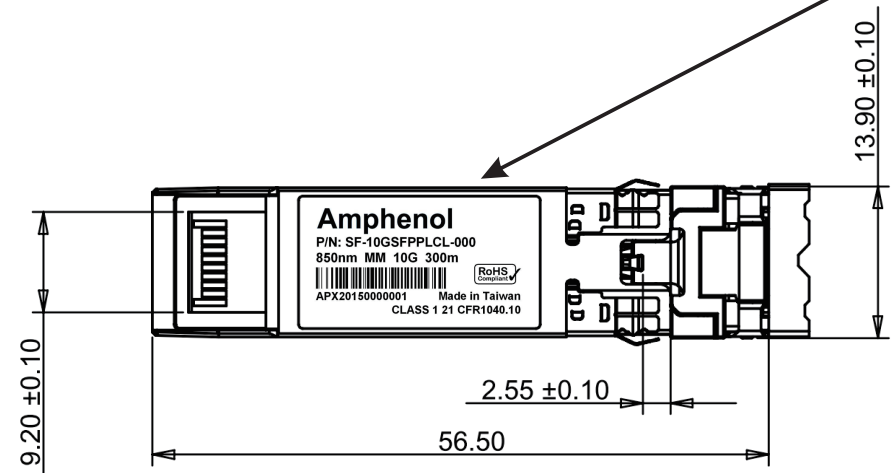
THE INFORMATION CONTAINED IN THIS DRAWING IS THE SOLE PROPERTY OF AMPHENOL CABLES ON DEMAND. ANY REPRODUCTION OR DISCLOSURE, TO THIRD PARTIES, IN PART OR WHOLE, WITHOUT THE EXPRESS WRITTEN PERMISSION OF AMPHENOL CABLES ON DEMAND IS PROHIBITED.

| REVISIONS |             |          |          |
|-----------|-------------|----------|----------|
| REV.      | DESCRIPTION | DATE     | APPROVED |
| A         | NEW RELEASE | 05/04/15 |          |
|           |             |          |          |



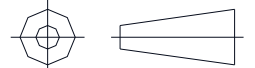
**Amphenol**  
 P/N: SF-10GSFPPLCL-000  
 850nm MM 10G 300m  
  
 APX2015000001 Made in Taiwan  
 CLASS 1 21 CFR1040.10  


SERIAL NO. BREAKDOWN:  
 APXWWYYXXXSSSS  
 SERIAL NUMBER (EX: 0001, 0002, ETC.)  
 LAST 3 DIGITS OF ACD P/N  
 MFG YEAR  
 MFG WEEK



NOTES: UNLESS OTHERWISE SPECIFIED

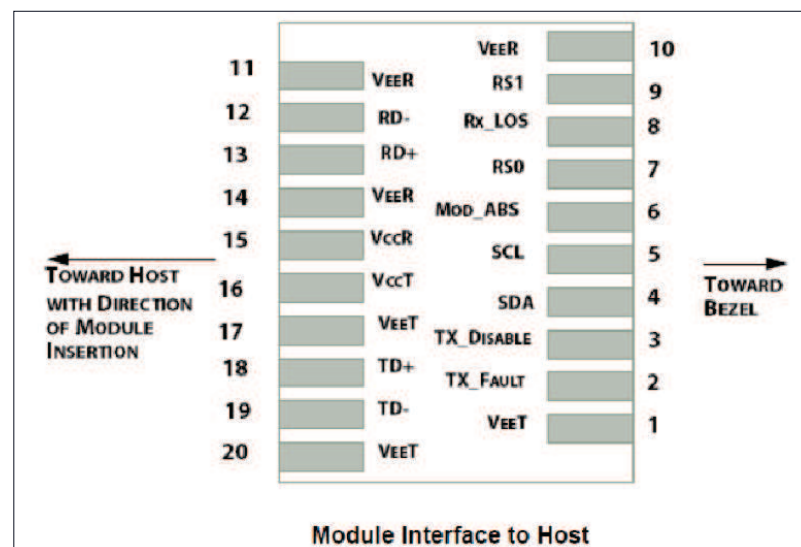


|   |            |          |
|---|------------|----------|
| UNLESS OTHERWISE SPECIFIED<br>DIMENSIONS ARE IN INCHES<br>TOLERANCES ARE:<br>DECIMALS .X ±.X .XX ±.XX .XXX ±.XXX<br>ANGLES ±X°<br>THIRD ANGLE PROJECTION<br> | EAR NO.    |          |
|   | APPROVALS  | DATE     |
|   | DRAWN LF   | 05/04/15 |
|   | CHECKED BA | 05/04/15 |
| RESP ENG  |            |          |
| MFG ENG   |            |          |

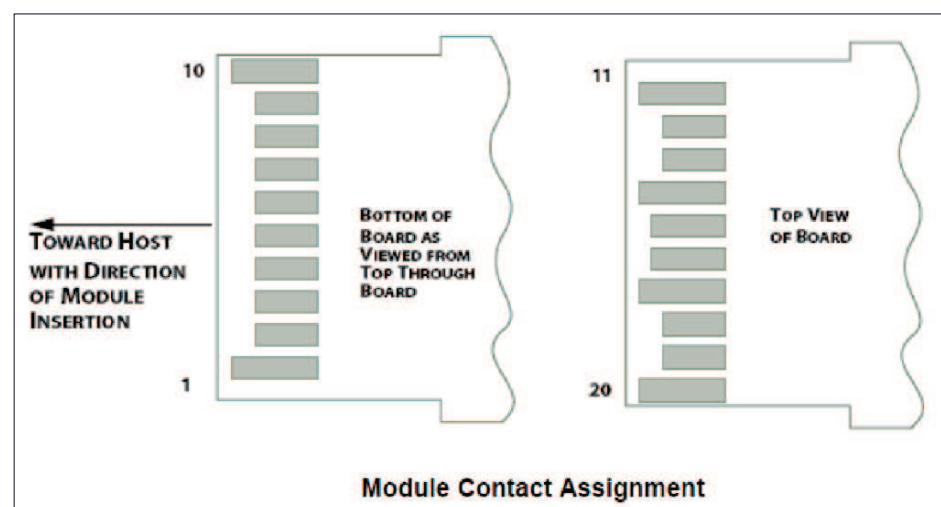
|   |                            |              |
|---|----------------------------|--------------|
| Amphenol Cables on Demand<br>20 VALLEY ST. ENDICOTT, NY 13760 |                            |              |
| SFP+ MM OPTICAL MODULE  |                            |              |
| SIZE A  | DWG. NO. SF-10GSFPPLCL-000 | REV. A0      |
| CAD FILE:   | SCALE                      | SHEET 1 OF 2 |

THE INFORMATION CONTAINED IN THIS DRAWING IS THE SOLE PROPERTY OF AMPHENOL CABLES ON DEMAND. ANY REPRODUCTION OR DISCLOSURE, TO THIRD PARTIES, IN PART OR WHOLE, WITHOUT THE EXPRESS WRITTEN PERMISSION OF AMPHENOL CABLES ON DEMAND IS PROHIBITED.

| REVISIONS |             |          |          |
|-----------|-------------|----------|----------|
| REV.      | DESCRIPTION | DATE     | APPROVED |
| A         | NEW RELEASE | 05/04/15 |          |
|           |             |          |          |



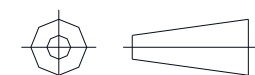
| PIN | Logic      | Symbol   | Name / Description                                      | Note |
|-----|------------|----------|---|------|
| 1   |            | VeeT     | Module Transmitter Ground                               | 1    |
| 2   | LVTTTL-O   | TX_Fault | Module Transmitter Fault                                |      |
| 3   | LVTTTL-I   | TX_Dis   | Transmitter Disable; Turns off transmitter laser output |      |
| 4   | LVTTTL-I/O | SDA      | 2-Wire SerialInterface Data Line                        | 2    |
| 5   | LVTTTL-I   | SCL      | 2-Wire SerialInterface Clock                            | 2    |
| 6   |            | MOD_DEF0 | Module Definition, Grounded in the module               |      |
| 7   | LVTTTL-I   | RS0      | Not used  |      |
| 8   | LVTTTL-O   | RX_LOS   | Receiver Loss of Signal Indication Active High          |      |
| 9   | LVTTTL-I   | RS1      | Not used  |      |
| 10  |            | VeeR     | Module Receiver Ground                                  | 1    |
| 11  |            | VeeR     | Module Receiver Ground                                  | 1    |
| 12  | CML-O      | RD-      | Receiver Inverted Data Output                           |      |
| 13  | CML-O      | RD+      | Receiver Data Output                                    |      |
| 14  |            | VeeR     | Module Receiver Ground                                  | 1    |
| 15  |            | VccR     | Module Receiver 3.3 V Supply                            |      |
| 16  |            | VccT     | Module Receiver 3.3 V Supply                            |      |
| 17  |            | VeeT     | Module Transmitter Ground                               | 1    |
| 18  | CML-I      | TD+      | Transmitter Non-Inverted Data Input                     |      |
| 19  | CML-I      | TD-      | Transmitter Inverted Data Input                         |      |
| 20  |            | VeeT     | Module Transmitter Ground                               | 1    |



UNLESS OTHERWISE SPECIFIED DIMENSIONS ARE IN INCHES TOLERANCES ARE:

| DECIMALS | ANGLES |
|----------|--------|
| .X       | ±X°    |
| .XX      | ±XX    |
| .XXX     | ±XXX   |

THIRD ANGLE PROJECTION



|           |    |          |
|-----------|----|----------|
| APPROVALS |    | DATE     |
| DRAWN     | LF | 05/04/15 |
| CHECKED   | BA | 05/04/15 |
| RESP ENG  |    |          |
| MFG ENG   |    |          |

**Amphenol Cables on Demand**  
20 VALLEY ST. ENDICOTT, NY 13760

**SFP+ MM OPTICAL MODULE**

|      |                   |      |
|------|-------------------|------|
| SIZE | DWG. NO.          | REV. |
| A    | SF-10GSFPPLCL-000 | A0   |

NOTES: UNLESS OTHERWISE SPECIFIED