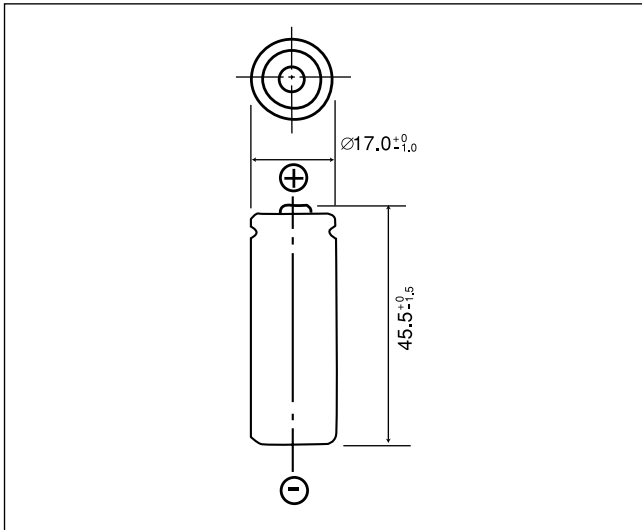


## BR-AG

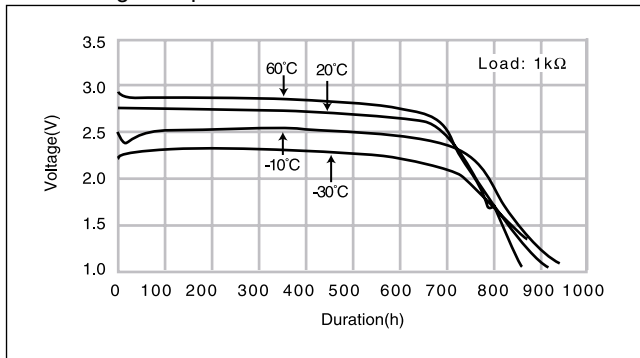
### ■ Dimensions(mm)



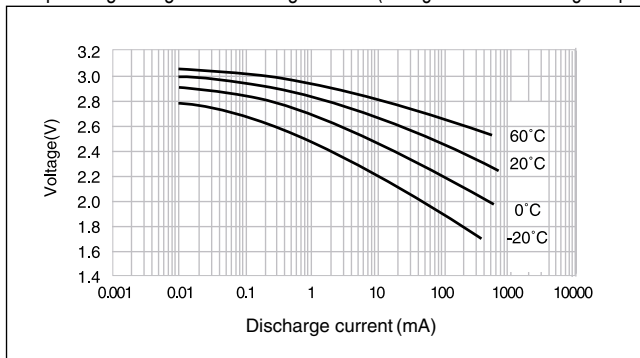
### ■ Specification

<b>Nominal voltage(V)</b>	3
<b>Nominal capacity(mAh)</b>	2,200
<b>Continuous drain(mA)</b>	2.5
<b>Operating temperature(°C)</b>	-40 to +85

### ■ Discharge temperature characteristics

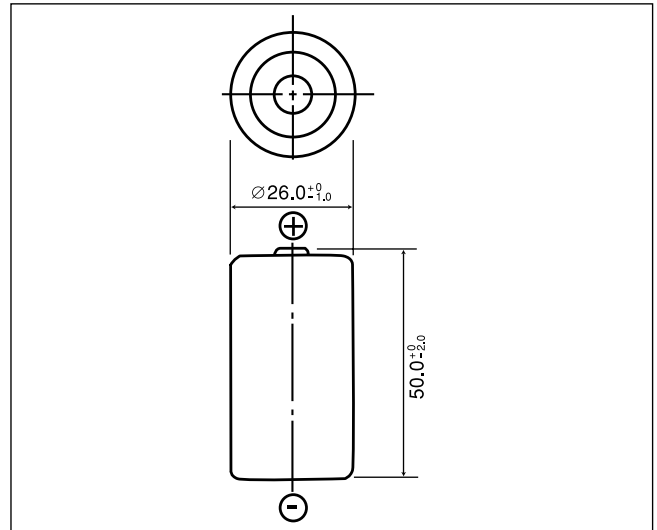


### ■ Operating voltage vs. Discharge current(voltage at 50% discharge depth)



## BR-C

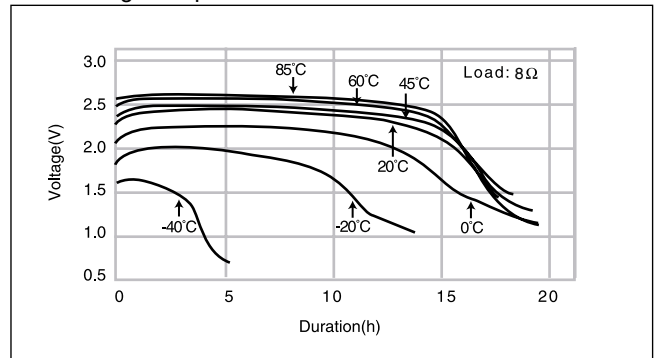
### ■ Dimensions(mm)



### ■ Specification

<b>Nominal voltage(V)</b>	3
<b>Nominal capacity(mAh)</b>	5,000
<b>Continuous drain(mA)</b>	5.0
<b>Operating temperature(°C)</b>	-40 to +85

### ■ Discharge temperature characteristics



### ■ Operating voltage vs. Discharge current(voltage at 50% discharge depth)

