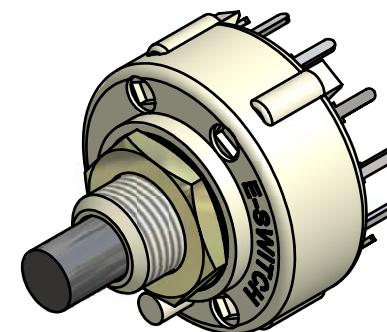
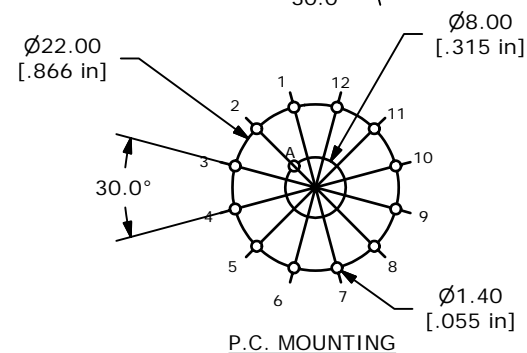
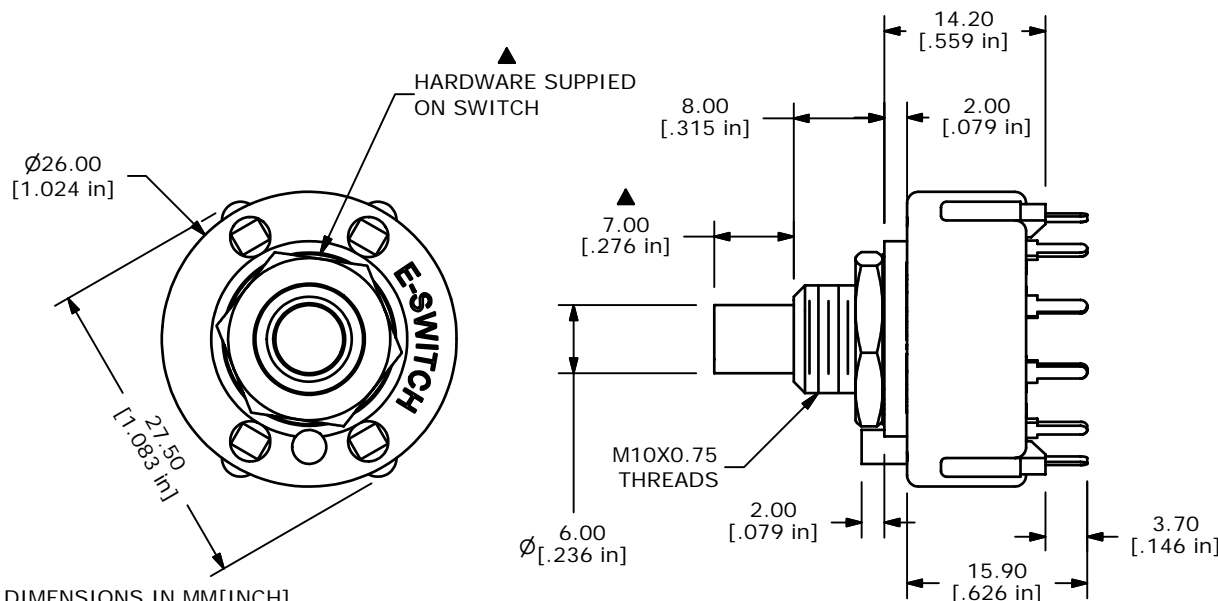
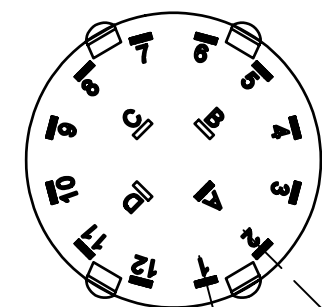


CONTACT CONFIGURATION  
TIMING (BBM) NON-SHORTING



ISOMETERIC



- NOTE:
1. ALL DIMENSIONS IN MM[INCH].
  2. GENERAL TOLERANCE: X.X=±0.4  
X.XX=±0.25
  3. TERM. NOS. FOR REFERENCE ONLY.
  4. CONTACT MATERIAL: SILVER
  5. CONTACT RATING: 0.3A 125VAC
  6. OPERATING FORCE 800±300CM/STANDARD
  7. OPERATING TEMP: -30°C TO 85°C
  - ▲ 8. CIRCUIT SP: 12 POSITION 30° INDEX (NO-STOPS)
  9. DIELECTRIC STRENGTH: 500VAC FOR 1 MIN..
  - ▲ 10. HARDWARE SUPPLIED ON SWITCH:  
LOCKWASHER, HEXNUT, STOPRING
  11. ▲ DENOTES CRITICAL PARAMETER.
  12. 2002/95/EC (ROHS) COMPLIANT

**E-SWITCH®**

A	15619	RELEASED FOR PRODUCTION	12/20/05	PH
REV	PCR NO	DESCRIPTION	DATE	BY

TITLE KC10B7.002NPS				
SCALE	DATE	DR	DWG	REV
1.5:1	12/20/2005	PH	G510257	A

THE INFORMATION CONTAINED IN THIS DOCUMENT IS PROPRIETARY TO E-SWITCH AND IS NOT TO BE COPIED OR TRANSFERRED