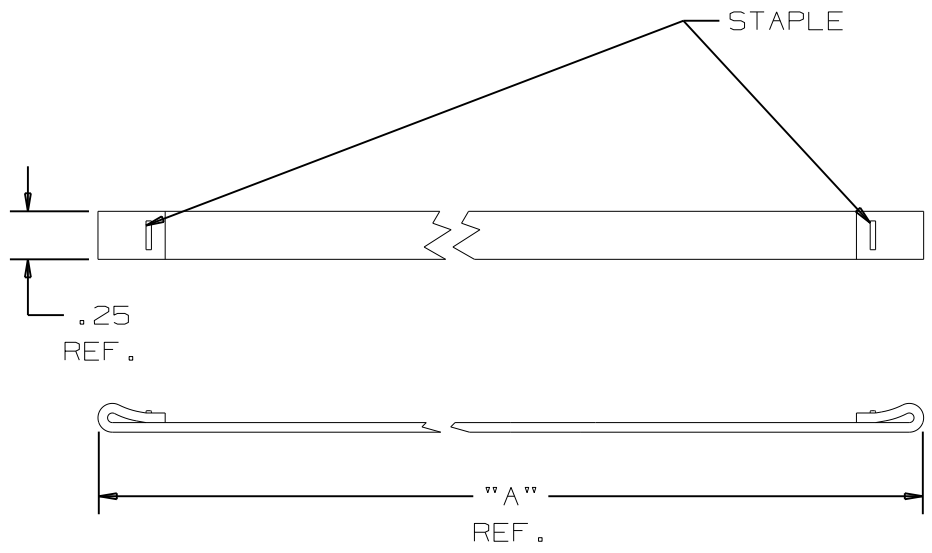


THIS COPY IS PROVIDED ON A RESTRICTED BASIS AND IS NOT TO BE USED IN ANY WAY DETRIMENTAL TO THE INTERESTS OF PANDUIT CORP.

PANDUIT PART NO.	"A" DIMENSION
RER.5E	3.15 (80.0) 3.05 (77.5)
RER.75E	4.30 (109.2) 4.20 (106.7)
RER1.25E	6.35 (161.3) 6.25 (158.8)
RER2.0E	8.72 (221.4) 8.28 (210.4)



NOTES:

- 1) DIMENSIONS ARE AS MATERIAL IS IN A RELAXED STATE.
- 2) MATERIAL COLOR: BLACK.

(DIMENSIONS IN PARENTHESIS ARE IN METRIC)

										CAD FILENAME/LAYERS		10B015EG/00	
										PANDUIT CORP. TINLEY PARK, ILLINOIS			
										RER.5, RER.75, RER1.25, RER2.0, REPLACEMENT ELASTIC STRAPS			
										UNLESS OTHERWISE SPECIFIED, DIMENSIONAL TOLERANCES ARE: (.X) ± (.XXX) ± (.XX) ± ANGLES ±		UNLESS OTHERWISE SPECIFIED, ALL DIMENSIONS ARE GIVEN IN INCHES, THIRD ANGLE PROJECTION.	
										DRAWN BY BWG		MAT'L; POLYESTER ELASTIC	
										DATE 4/11/11		SCALE FULL	
R	04/11/11	BWG	MPH	DRAWING RELEASED			10B015EG	00	PBC		DRAWING NO. 10B015EG		DWG A SIZE
REV	DATE	BY	CHK	DESCRIPTION			ECN	R	CUST	SUP	CHK'D		