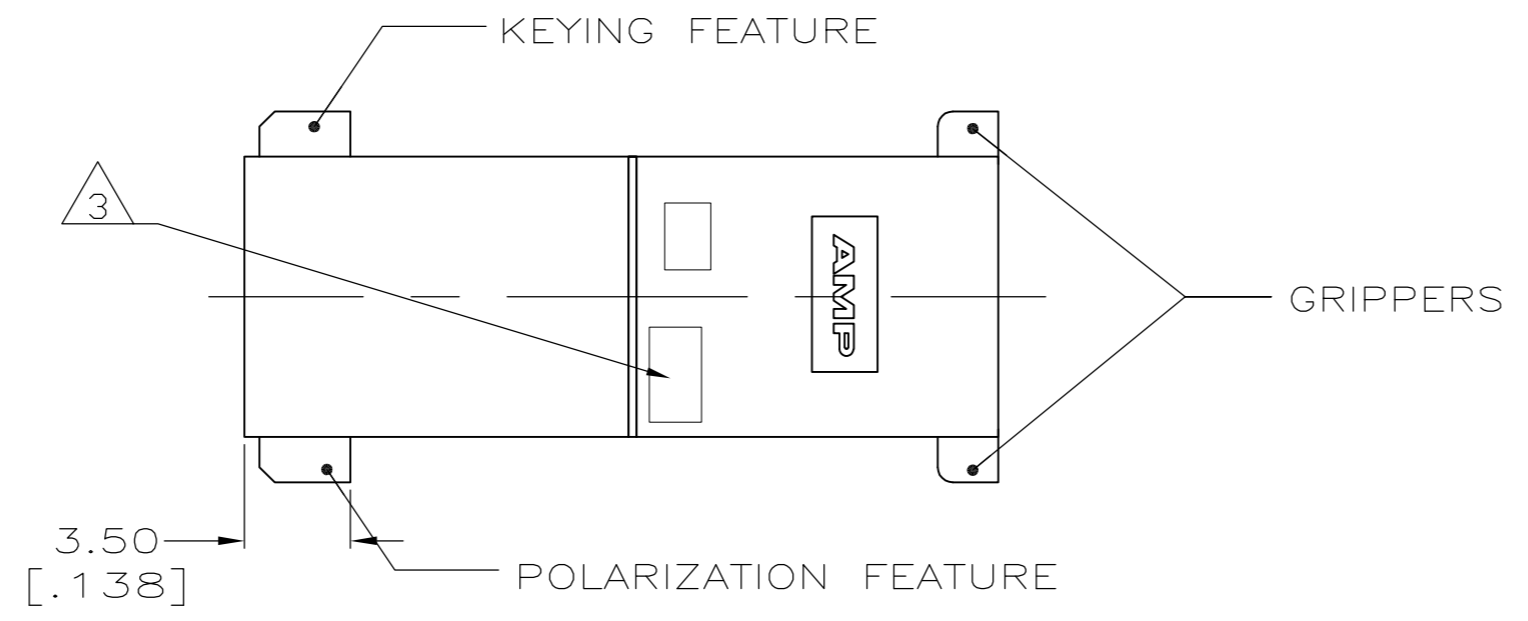


THIS DRAWING IS UNPUBLISHED. RELEASED FOR PUBLICATION
 © COPYRIGHT - By - ALL RIGHTS RESERVED.

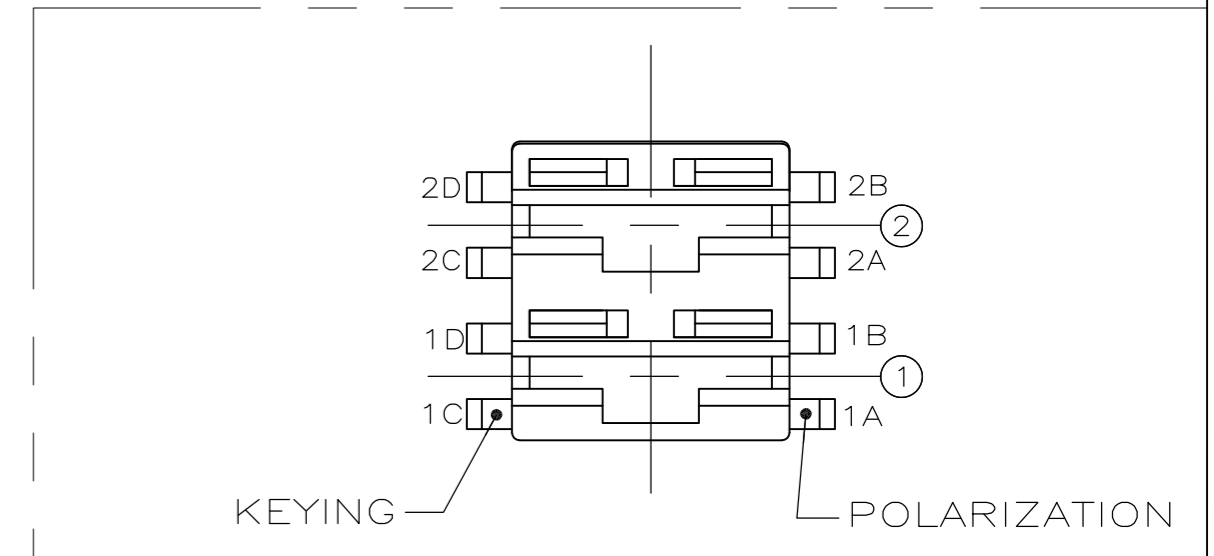
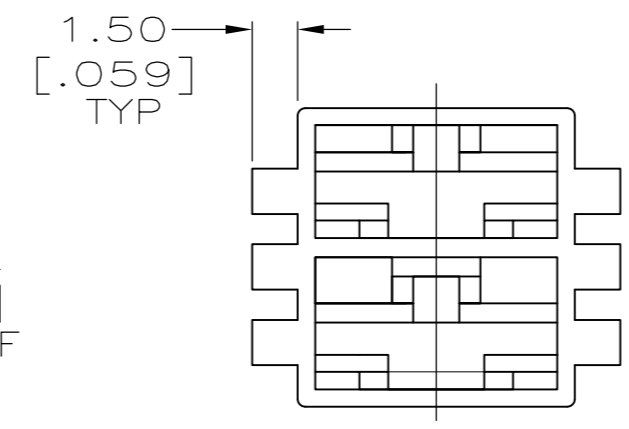
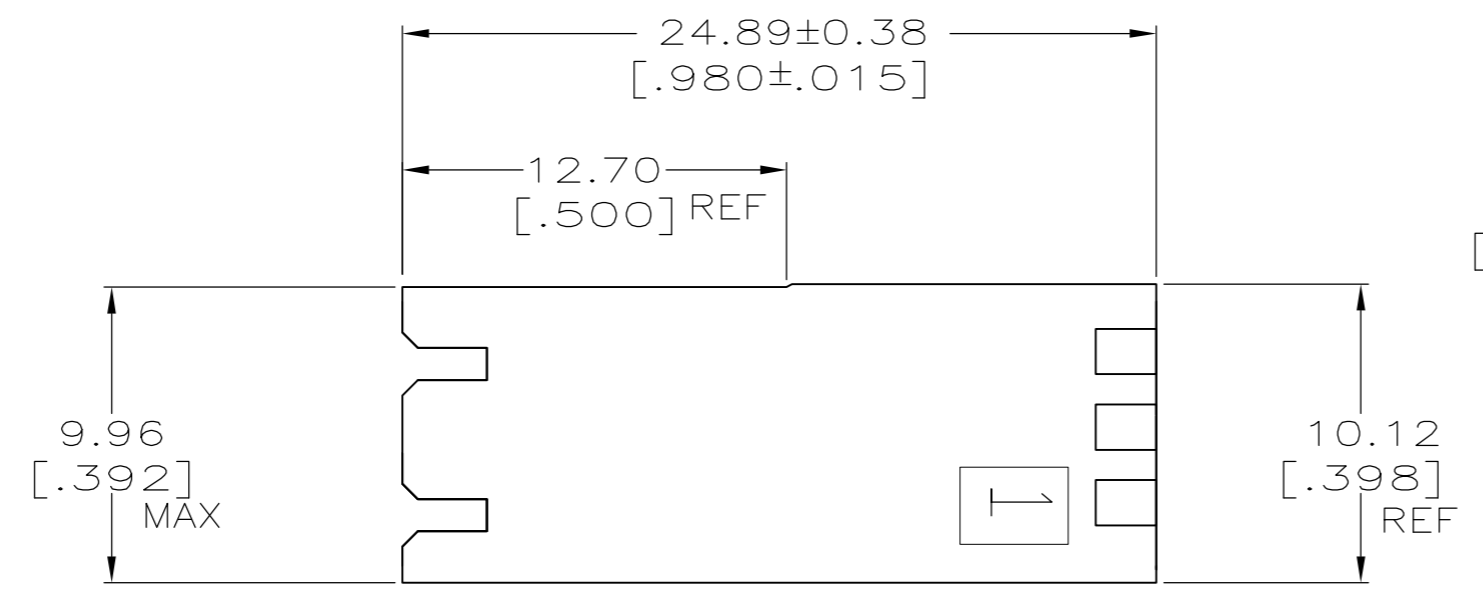
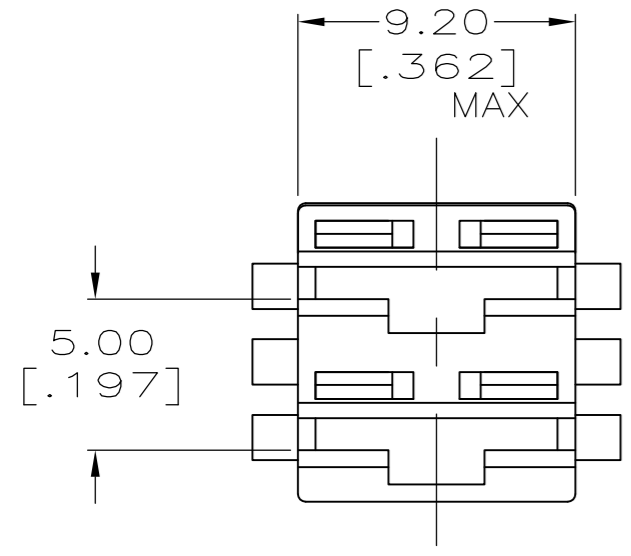
REVISIONS					
P	LTR	DESCRIPTION	DATE	DWN	APVD
S		REVISED PER ECR-16-001902	22MAR2016	BW	JP



1 ACCEPTS RECEPTACLE CONTACTS 1217378(#18-#22 AWG SINGLE WIRE), 1217094(#18-#14 AWG SINGLE WIRE) AND 1217095 (TWO #18'S OR TWO #16'S OR A #16 + #18 COMBINATION).

2 FRONT AND BACK VIEWS SHOW ONLY THE GRIPPERS. FOR KEYING AND POLARIZATION FEATURES, SEE SPECIAL FRONT VIEW.

- 3 DFE SYMBOL
- 4 PRELIMINARY - NOT FOR PRODUCTION
- 5 PA6, GWEPT 750°C NO FLAME
- 6 PRE-PRODUCTION - FASR REQUIRED



KEYING & POLARIZATION CODING AND COMBINATIONS
SPECIAL FRONT VIEW

RAST CONFIGURATION	FINISH/COLOR	KEYING FEATURE	POLARIZATION FEATURES	PART NO.
02-A	NATURAL	1C,2D	1B & 2A	5 1-521204-5
-	NATURAL	NONE	NONE	5 1-521204-4
02-A	NATURAL	1C,2D	1B & 2A	4 1-521204-2
02-A	NATURAL	1C,2D	1B & 2A	4 1-521204-1
-	BLUE	1C,2D	1A,1B,2A,2B	4 1-521204-0
02-C	BLUE	1C,2D	2A	4 521204-9
02-K	BLUE	1C	1A & 2A	521204-8
02-B	BLUE	1C	1A & 2B	521204-7
02-A	BLUE	1C,2D	1B & 2A	521204-6
-	BLUE	NONE	NONE	521204-5
-	NATURAL	1D	1A & 2B	4 521204-4
02-E	NATURAL	2D	1A & 2B	6 521204-3
-	BLUE	1D	1A & 2B	521204-2
02-E	BLUE	2D	1A & 2B	521204-1

THIS DRAWING IS A CONTROLLED DOCUMENT.

DWN	JR RUTH	10/20/98
CHK	MS FEHER	10/20/98
APVD	J GILLESPIE	10/20/98

TE Connectivity

HOUSING, RECEPT, POSITIVE-LOCK, MKIII, 6.35 [.250] SERIES, 2 POSITION

SIZE	A2	CAGE CODE	00779	DRAWING NO	C=521204	RESTRICTED TO	-
SCALE	4:1	SHEET	1 of 1	REV	S		