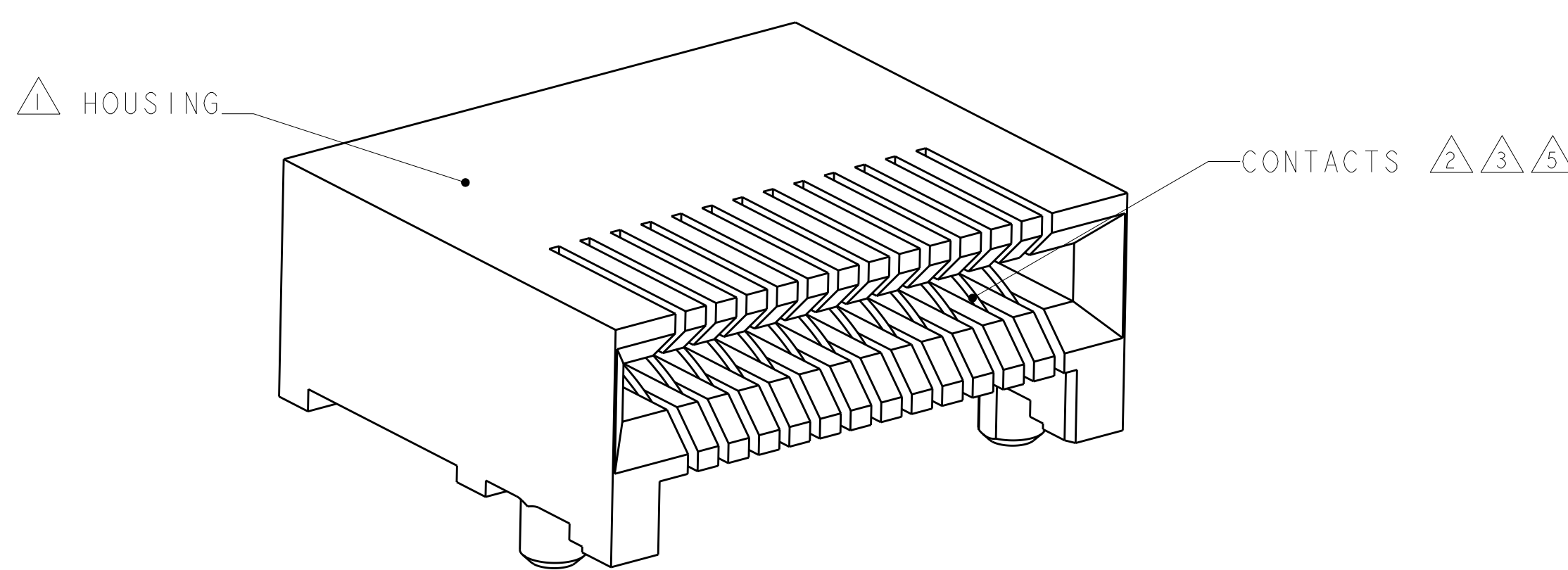
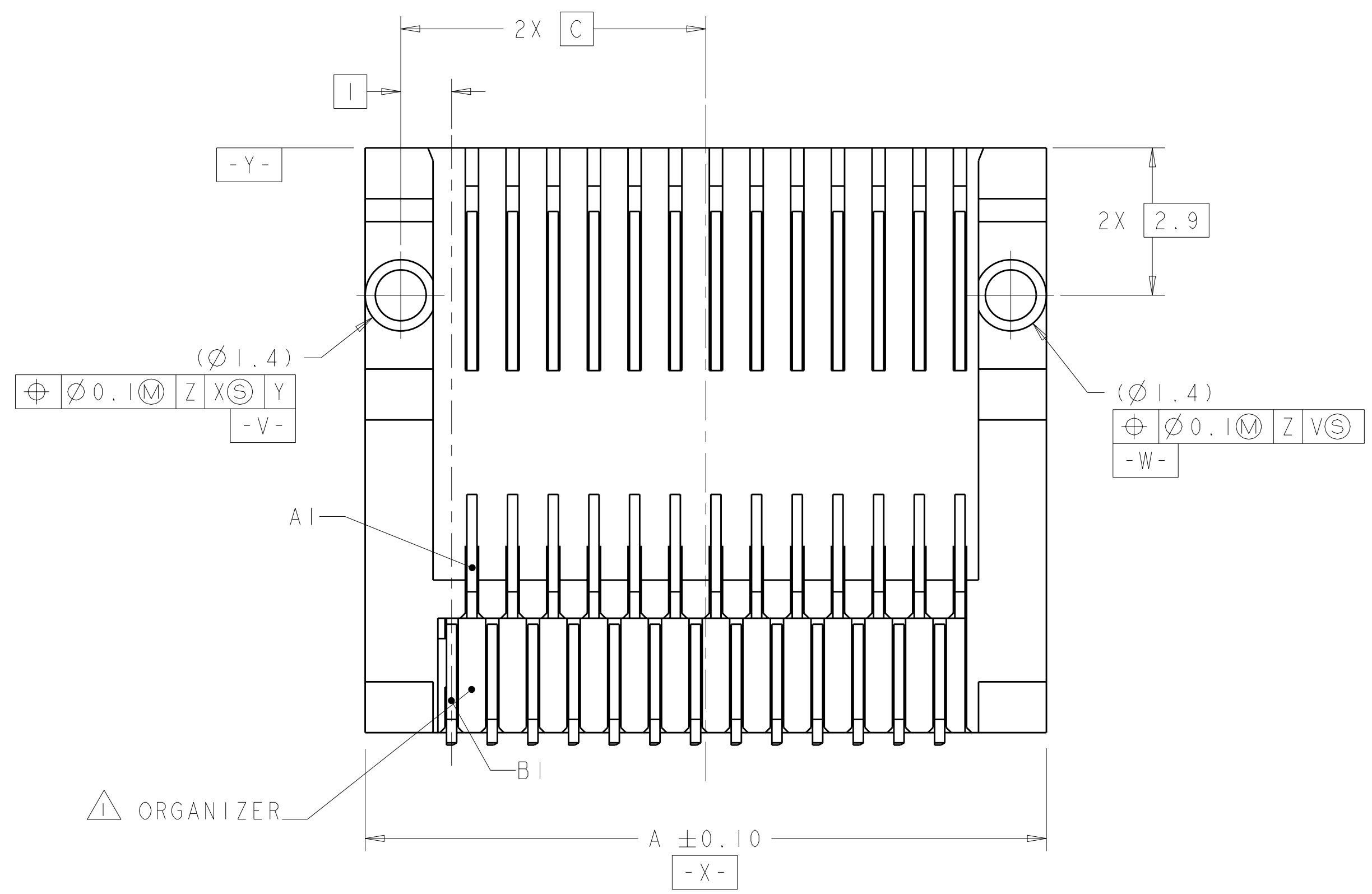
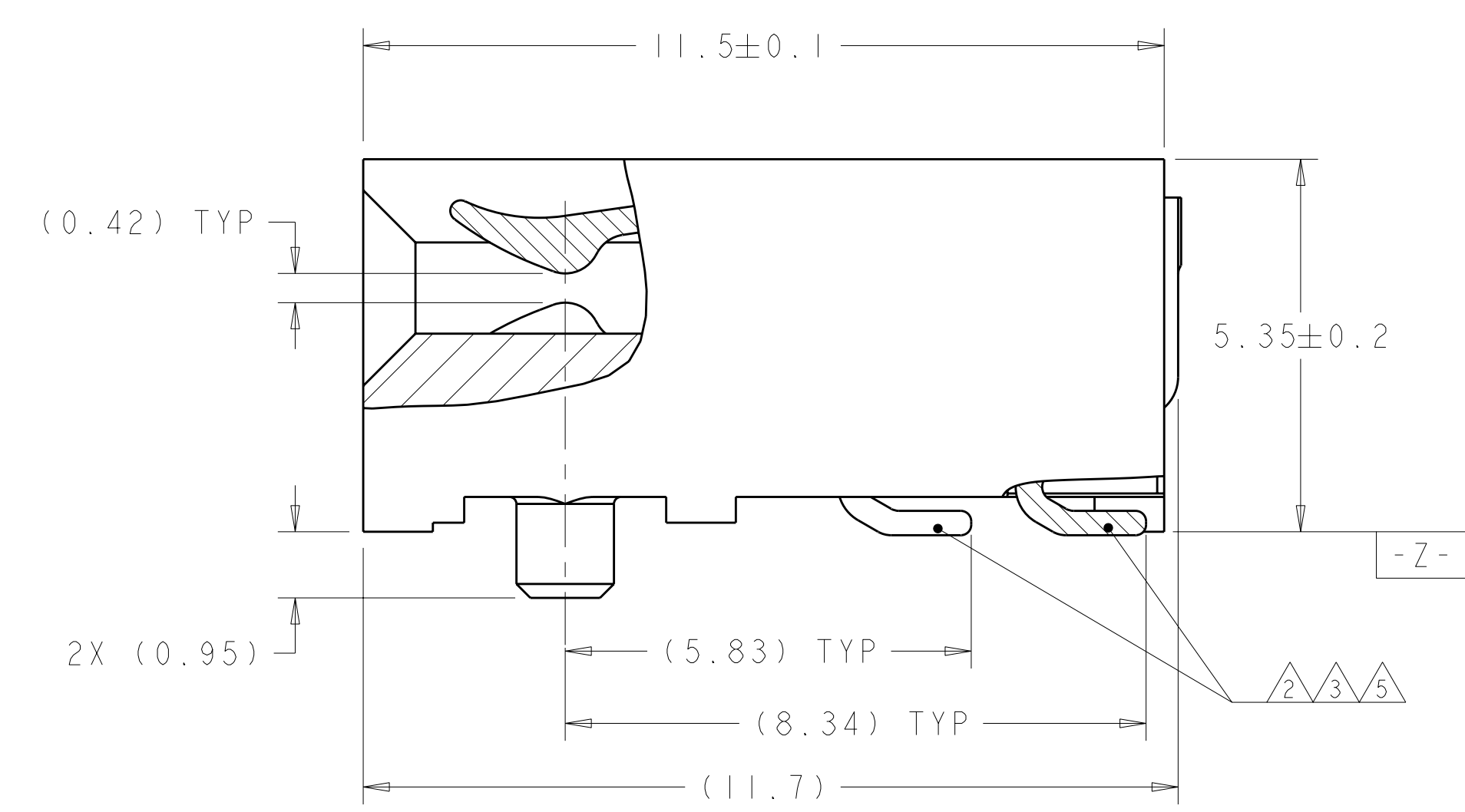
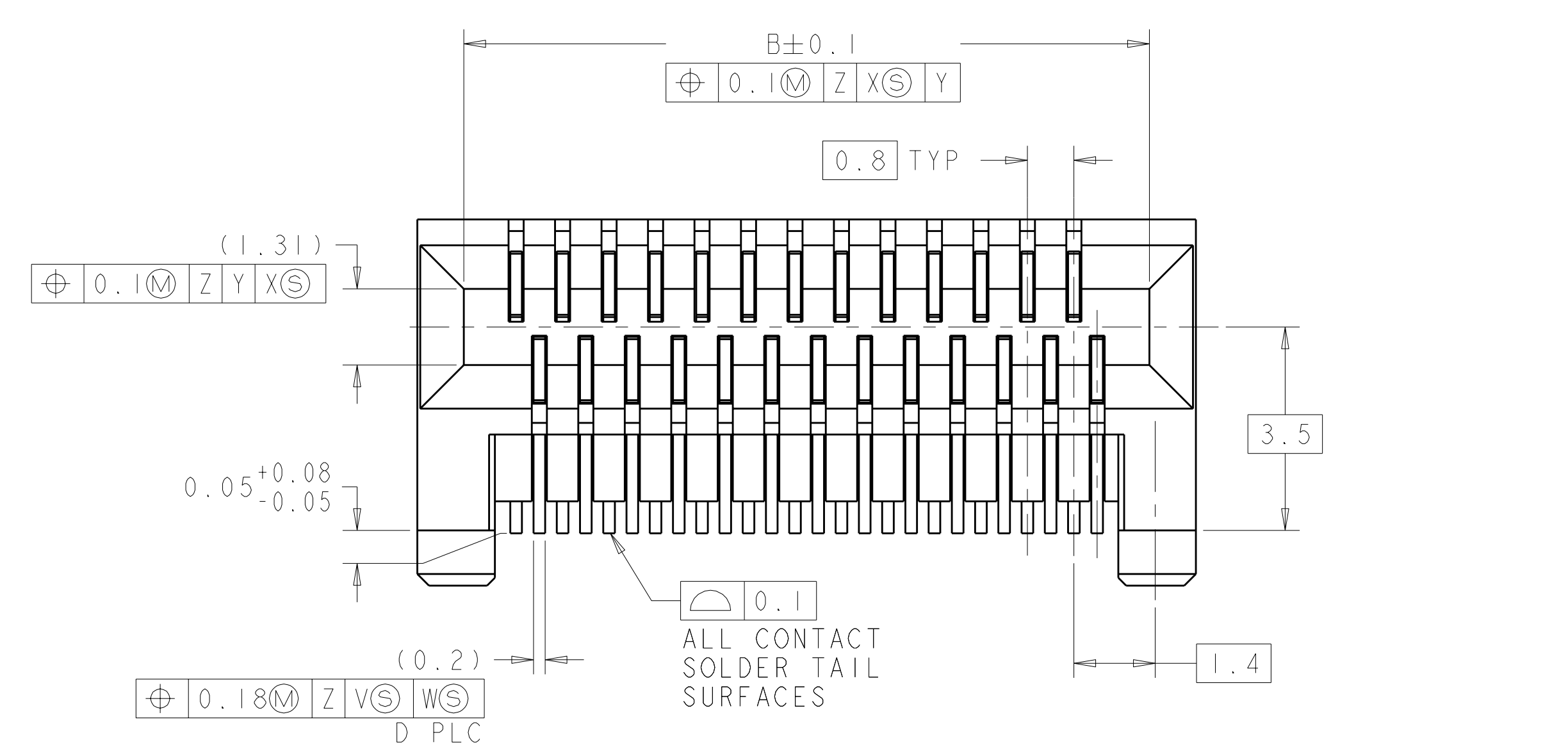


LOC	DIST	REV	DATE	BY	APPD
GP	00	A2	11MAR2011	RK	HMR



26 POSITION RECEPTACLE
 SCALE 9:1

- 1 MATERIAL: LCP, BLACK.
- 2 MATERIAL: PHOSPHOR BRONZE PER ASTM B 103.
- 3 FINISH: 0.76µm MIN GOLD PLATE PER ASTM B 488, APPLIES TO INTERFACE AREA AND 2.03µm MIN TIN PLATE SOLDER TAILS, ALL OVER 3.81µm MIN NICKEL PLATE PER QQ-N-290.
- 4 DATUM AND BASIC DIMENSION ESTABLISHED BY CUSTOMER.
- 5 FINISH: 0.38µm MIN GOLD PLATE PER ASTM B 488, APPLIES TO INTERFACE AREA AND 2.03µm MIN TIN PLATE SOLDER TAILS, ALL OVER 3.81µm MIN NICKEL PLATE PER QQ-N-290.



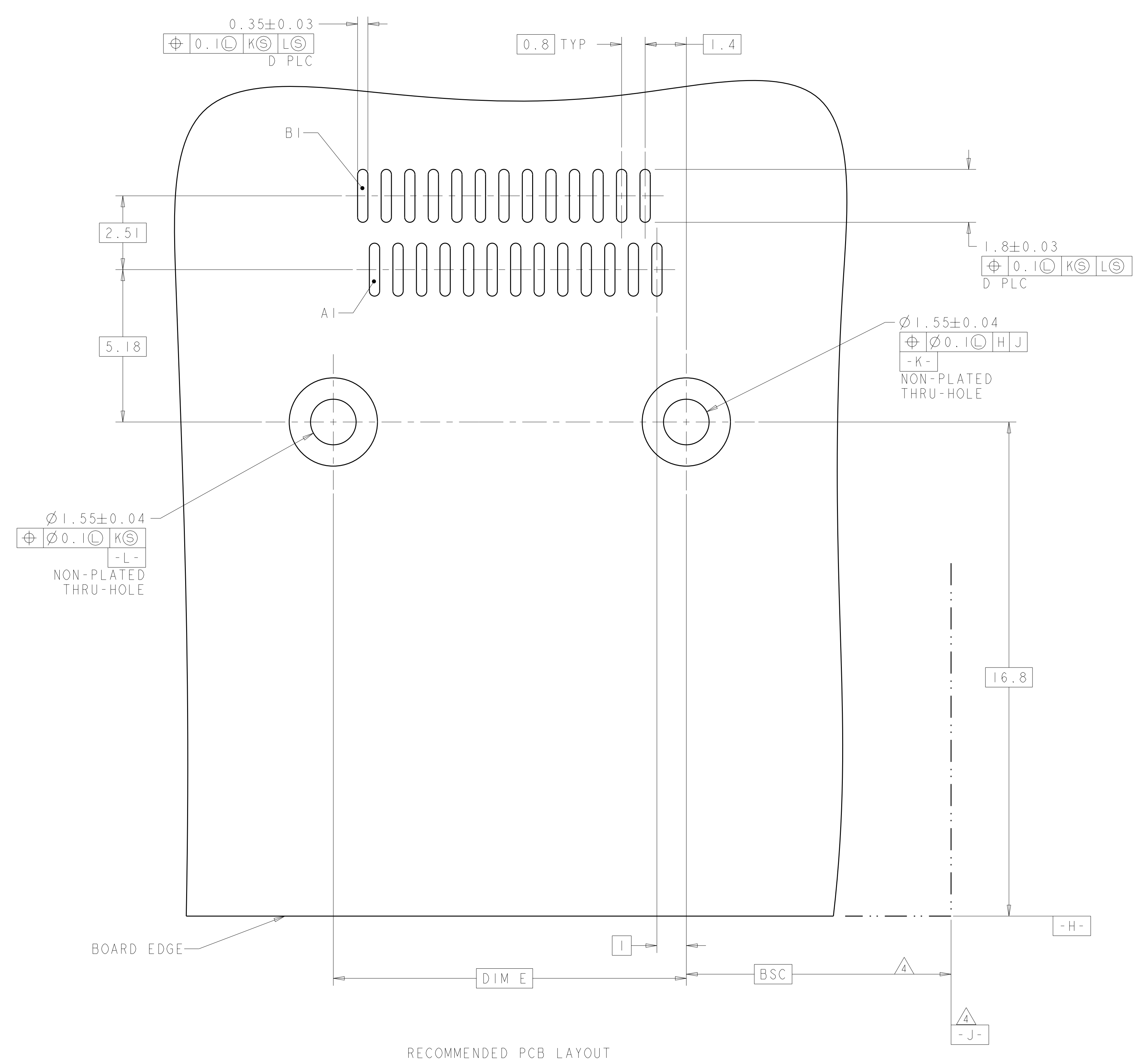
FINISH	PACKAGING	DIMENSIONS (mm)					POSN	PART NUMBER
		E	D	C	B	A		
1	TAPE AND REEL	16.80	38	8.40	16.60	18.10	38	1-1761987-8
	TUBE	16.00	36	8.00	15.80	17.40	36	1-1761987-7
	TUBE	12.00	26	6.00	11.80	13.40	26	1-1761987-6
	TUBE	28.80	68	14.80	28.60	30.20	68	1-1761987-5
	TUBE	16.80	38	8.40	16.60	18.10	38	1-1761987-4
	TUBE	23.20	54	11.60	23.00	24.60	54	1-1761987-3
2	TUBE	21.60	50	10.80	21.40	23.00	50	1-1761987-2
	TUBE	16.00	36	8.00	15.80	17.40	36	1-1761987-1
	TUBE	12.00	26	6.00	11.80	13.40	26	1-1761987-0
	TUBE	16.80	38	8.40	16.60	18.10	38	1761987-9
	TUBE	16.00	36	8.00	15.80	17.40	36	1761987-8
	TUBE	12.00	26	6.00	11.80	13.40	26	1761987-7
3	TUBE	28.80	68	14.80	28.60	30.20	68	1761987-6
	TUBE	16.80	38	8.40	16.60	18.10	38	1761987-5
	TUBE	23.20	54	11.60	23.00	24.60	54	1761987-4
	TUBE	21.60	50	10.80	21.40	23.00	50	1761987-3
	TUBE	16.00	36	8.00	15.80	17.40	36	1761987-2
	TUBE	12.00	26	6.00	11.80	13.40	26	1761987-1

THIS DRAWING IS A CONTROLLED DOCUMENT. DATE: 28JUN2005
 DIMENSIONS: mm. TOLERANCES UNLESS OTHERWISE SPECIFIED:
 9 PLC ±, 1 PLC ±, 5 PLC ±, 4 PLC ±, ANGLES ±.
 MATERIAL: SEE NOTES. FINISH: SEE TABLE.
 CUSTOMER DRAWING. SCALE: 12:1. SHEET 1 OF 2. REV A2.

DATE: 28JUN2005. CHK: M.E. CONNER. APPD: R.R. HENRY. NAME: EVERCLEAR Mini-SAS RECEPTACLE CONNECTOR ASSEMBLY, RIGHT ANGLE, SURFACE MOUNT. SIZE: A100779. CAGE CODE: 1761987. WEIGHT: -. RESTRICTED TO: -.

STE TE Connectivity

LOC	DIST	REVISIONS			
GP	00	REV	DATE	BY	APPD
		1	SEE SHEET 1		



THIS DRAWING IS A CONTROLLED DOCUMENT.		DWN M. E. COWHER 28JUN2005	TE Connectivity
DIMENSIONS:		CHK R. R. HENRY 28JUN2005	
mm	TOLERANCES UNLESS OTHERWISE SPECIFIED:	APVD R. R. HENRY 28JUN2005	NAME EVERCLEAR Mini-SAS RECEPTACLE CONNECTOR ASSEMBLY, RIGHT ANGLE, SURFACE MOUNT
	0 PLC ± 1 PLC ± 2 PLC ± 3 PLC ± 4 PLC ± ANGLES ±	PRODUCT SPEC 108-2234	SIZE A100779
MATERIAL	FINISH	APPLICATION SPEC	DRAWING NO C=1761987
		WEIGHT	RESTRICTED TO
		CUSTOMER DRAWING	SCALE 12:1 SHEET 2 OF 2 REV A2