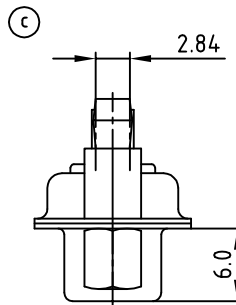
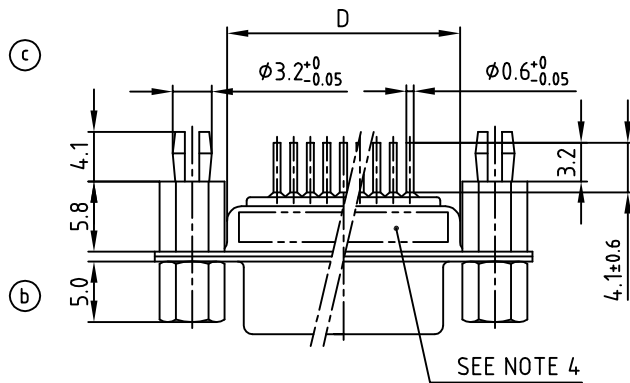
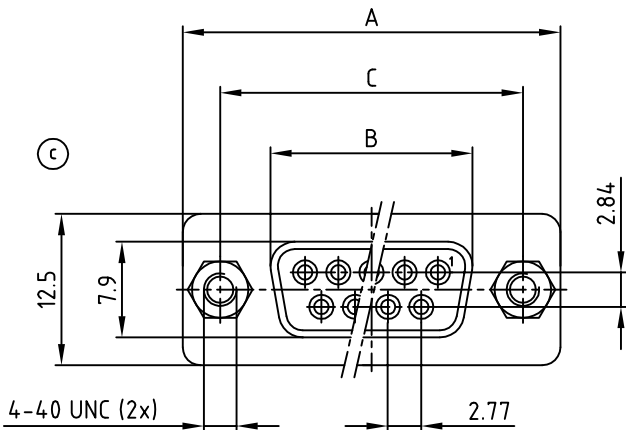
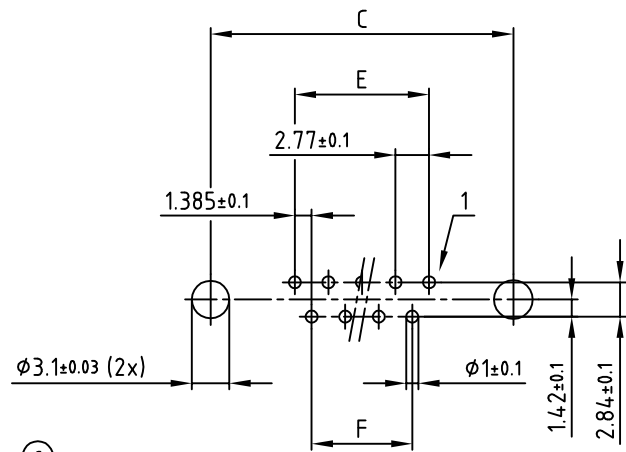


POS.	A	B	C	D	E	F	Part NO.
9	30.8	16.30	25.00	19.2	11.08	8.31	DLS1XS4AA39X
15	39.2	24.60	33.30	27.7	19.39	16.62	DLS2XS4AA39X
25	53.1	38.30	47.10	41.1	33.24	30.47	DLS3XS4AA39X
37	69.4	54.80	63.50	57.3	49.86	47.09	DLS4XS4AA39X



used for: D-SUB



P.C.B. HOLE DRILLINGS

1. MATERIAL:

- INSULATOR: THERMAL PLASTIC UL 94 V-0; BLACK
- CONTACTS: COPPER ALLOY
- SHELL: STEEL WITH Cu 40µin min. 80~120µin NICKEL
- RIVET, BOARDLOCK: COPPER ALLOY WITH 80~120µin NICKEL

2. CONTACT PLATING:

- UNDERPLATE: 50µin NICKEL
- CONTACT AREA: GOLD FLASH
- SOLDER TAILS AREA: 100µin TIN / LEAD FREE

3. ELECTRICAL:

- OPERATION VOLTAGE: 250 VAC max.
- CURRENT RATING: 3 A max.
- CONTACT RESISTANCE: 15 mOHM max.
- INSULATION RESISTANCE: 3000MOHM min. @ 500 VDC
- DIELECTRIC WITHSTANDING VOLTAGE: 1000 VAC / MINUTE
- OPERATING TEMPERATURE: -55°C TO +105°C

4. CONNECTOR IS PART MARKED: [PART-NO.] [CONEC] [ABC]

Directive 2002/95/EC RoHS compliant

THIS DRAWING MAY NOT BE COPIED OR REPRODUCED IN ANY WAY, AND MAY NOT BE PASSED ON TO A THIRD PARTY WITHOUT WRITTEN PERMISSION. OWNERSHIP AND COPYRIGHT OF CONEC GmbH DO NOT ALTER CAD DRAWING BY HAND

tolerance		ANG.		0.		.0		.00	
			±5°		±0.5		±0.3		±0.2
2006	date			name					
drawn	24.01.			Lehmenkühler					
appd.	24.01.			Mickenbecker					
norm	DIN 41652								
5 x c	Ä5347	16.09.2014	Lehm.	d-old					
1 x b	Ä2698	30.03.2007	ES						
a	Original								
rev.	description	date	name						



scale:	2:1	
material:	SEE NOTES	
title:	D-SUB FEMALE	
	9-37pos. PCB STRAIGHT STAMPED CONTACTS	
	rear:5.8mm snap-in/front:5.0mm open hex rivet	
dwg no:	AutoCAD 2004	DIN-A
	16K1A1706	4
		sh: 1/1
product no:	SEE TABLE	