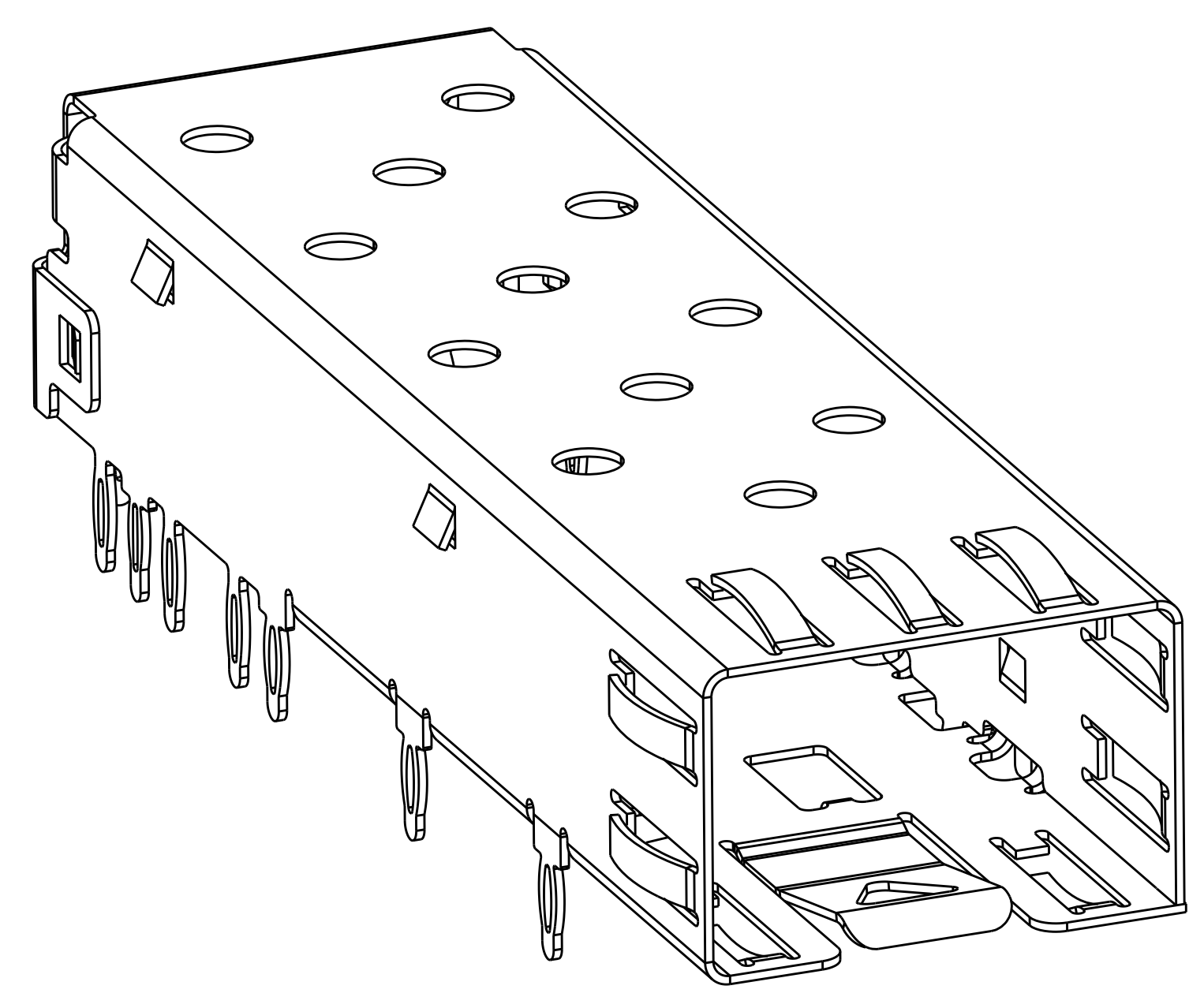
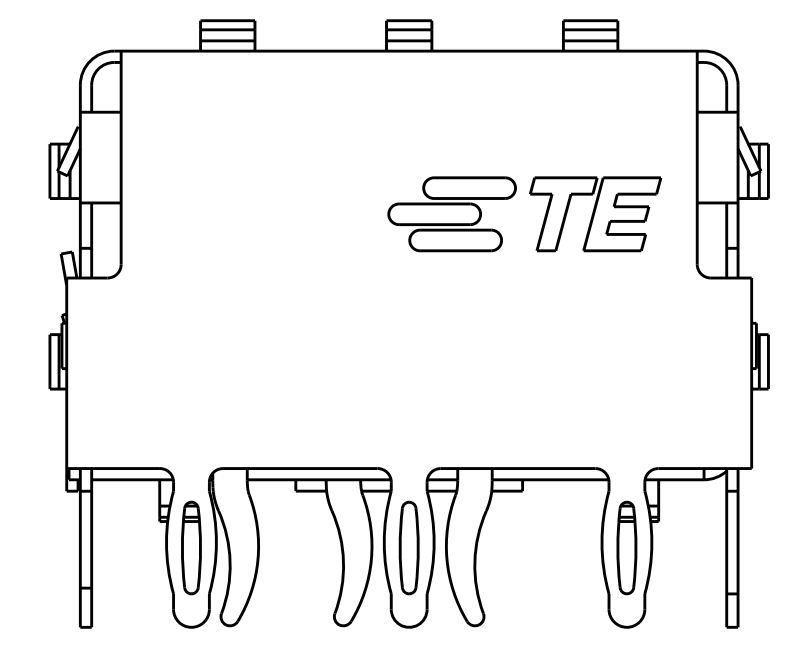
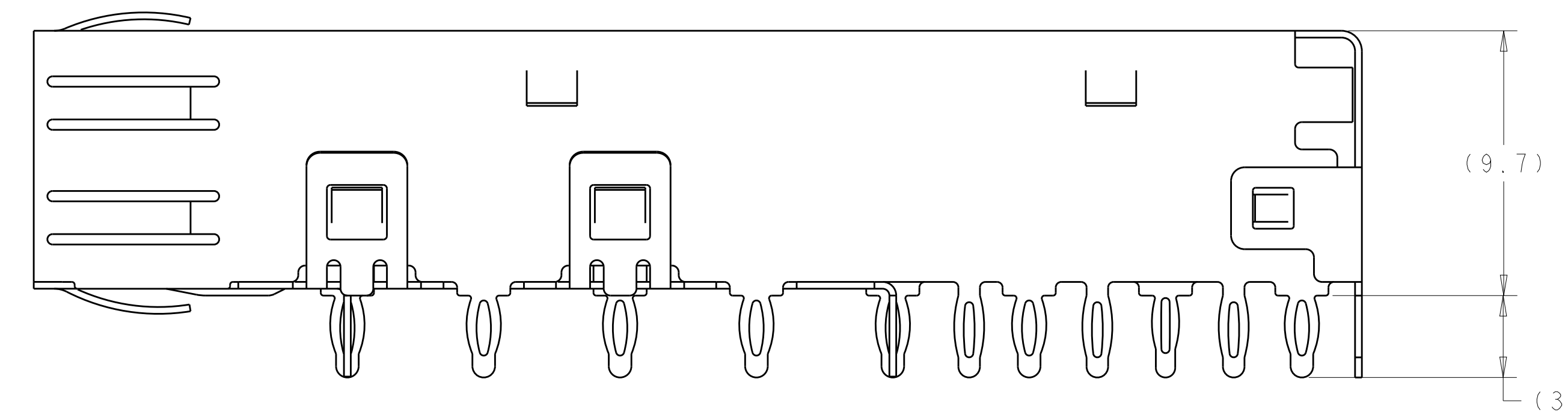
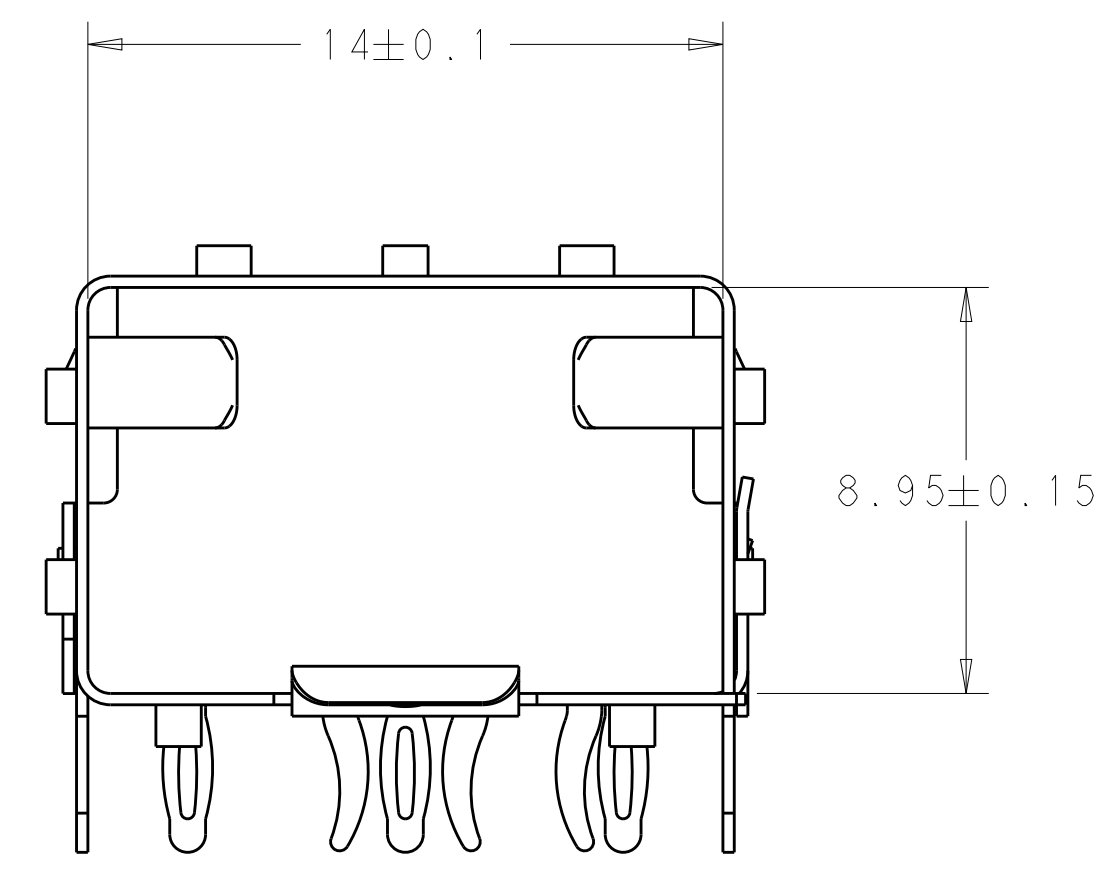
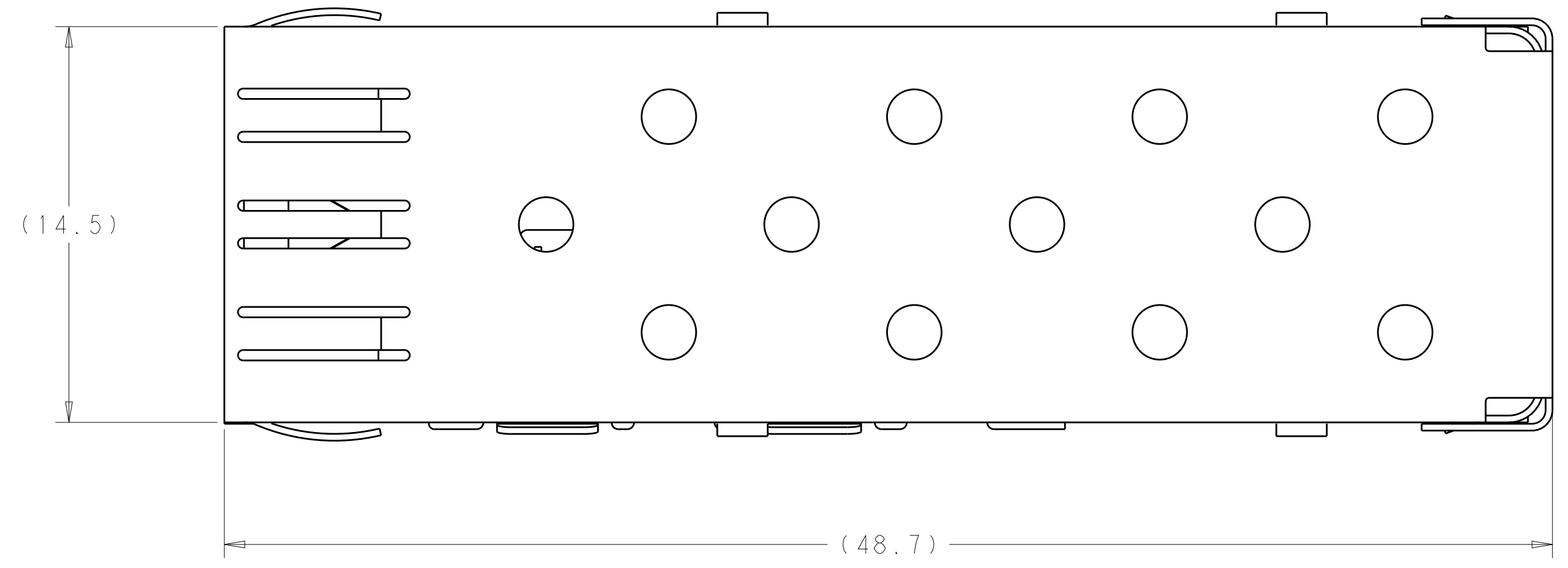


LOC	DIST	REVISIONS					
		P	LTN	DESCRIPTION	DATE	DWN	APVD
GP	00	A		INITIAL RELEASE	21MAY2014	CW	SH
		A1		REVISED PER ECO-15-001812	4-FEB-2015	JW	SH
		A2		REVISED PER ECO-15-011580	10-AUG-2015	JW	SH



ISOMETRIC VIEW
 2227317-1
 SCALE 6:1

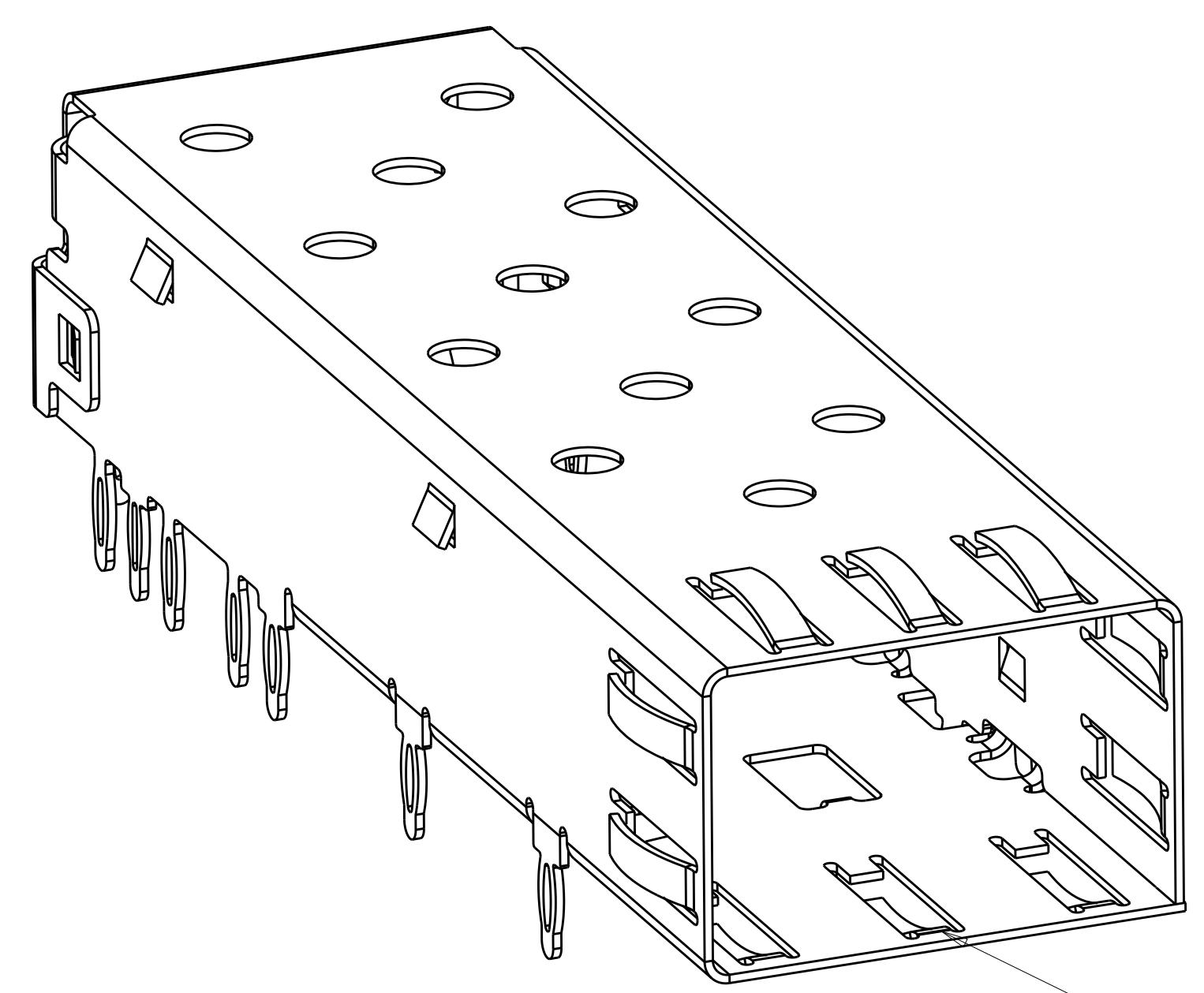
- 1. MATERIAL: 0.25mm THICK STAINLESS STEEL.
- 2. FINISH: NICKEL, NON PLATED EDGES PERMISSIBLE.
- 3. MATES WITH SFP MSA COMPLIANT TRANSCEIVERS.
- 4. PADS AND VIAS CHASSIS GROUND.
- 5. DATUM AND BASIC DIMENSION ESTABLISHED BY CUSTOMER.
- 6. MINIMUM PC BOARD THICKNESS:
 SINGLE SIDED = 1.50 mm
- 7. REFERENCE APPLICATION SPEC. 114-13120, HOLE A, FOR
 RECOMMENDED DRILL HOLE DIAMETER AND PLATING THICKNESS(EXCEPT IMMERSION SILVER PLATING).
- 8. REFERENCE APPLICATION SPEC. 114-13120, HOLE C, FOR
 RECOMMENDED DRILL HOLE DIAMETER AND PLATING THICKNESS(EXCEPT IMMERSION SILVER PLATING).
- 9. THE RECOMMENDED DIMENSIONS FOR HOLES ON PAGE 2/2 ARE NOT COMPATIBLE WITH IMMERSION SILVER PLATING HOLES
 BECAUSE OF OVERLARGE INSERTION FORCE.



2227317-1
 PART
 NUMBER

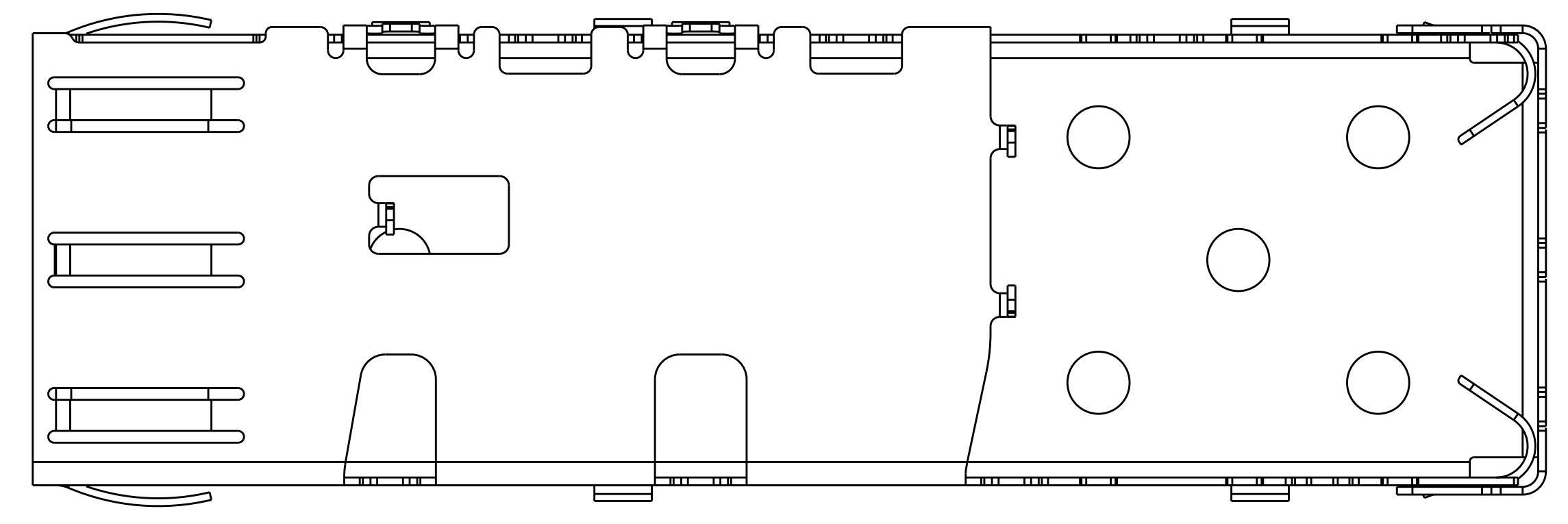
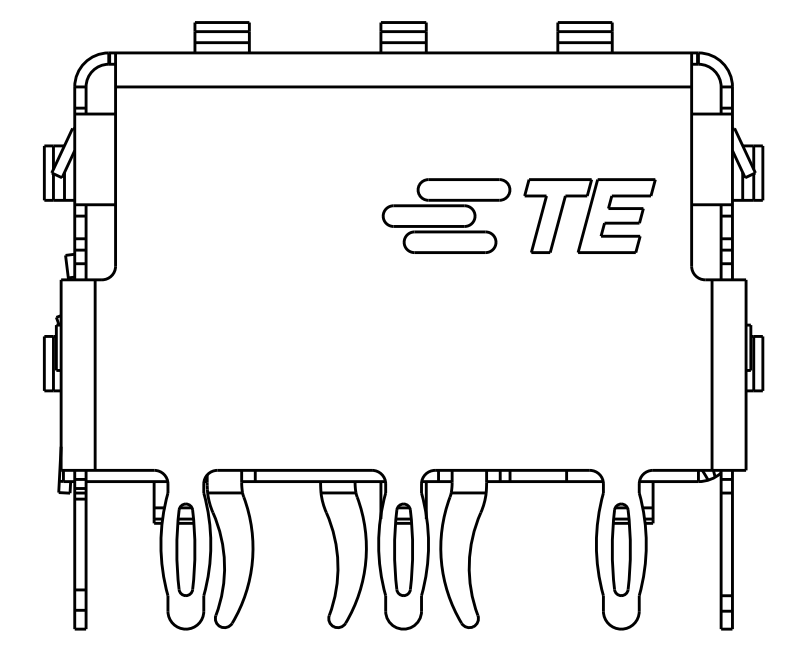
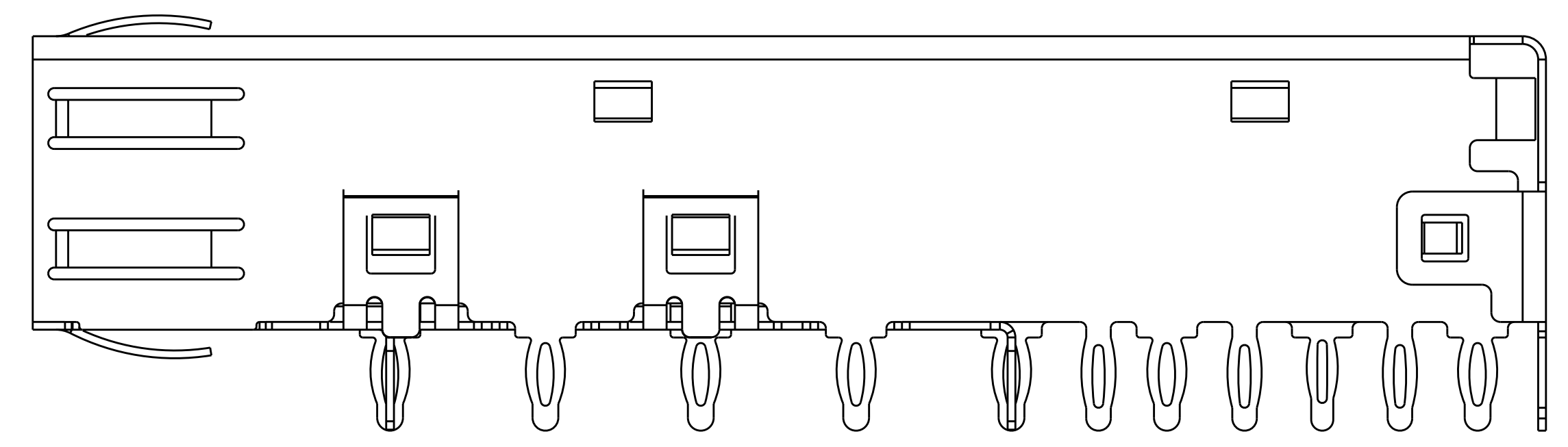
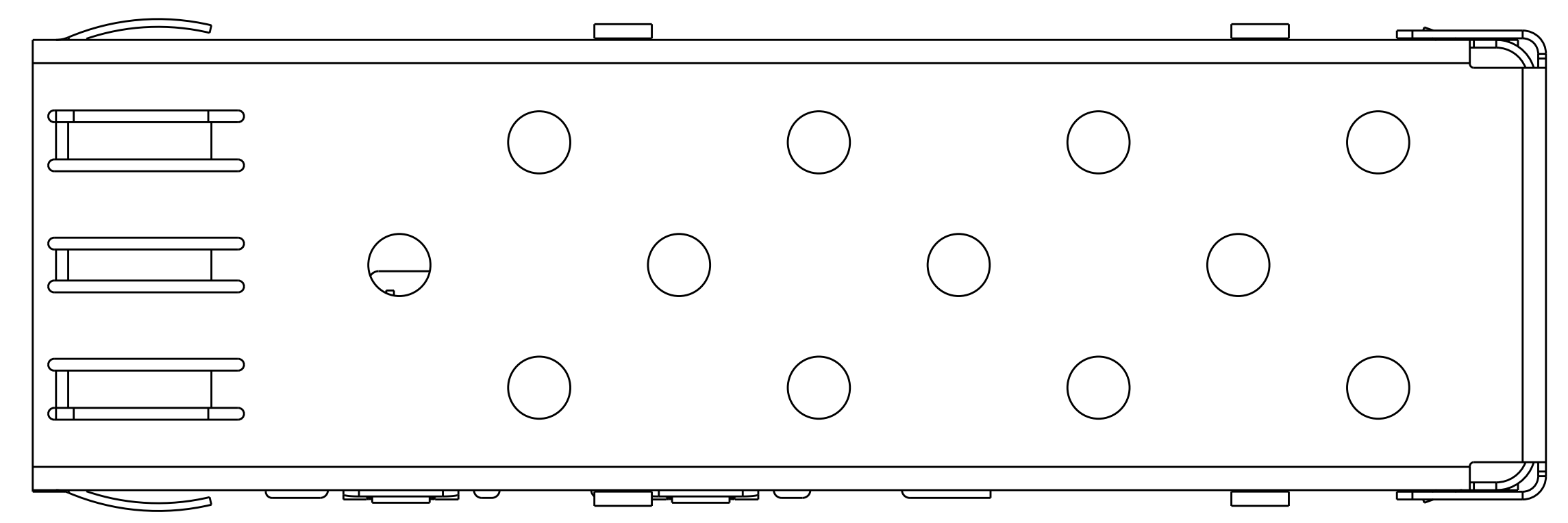
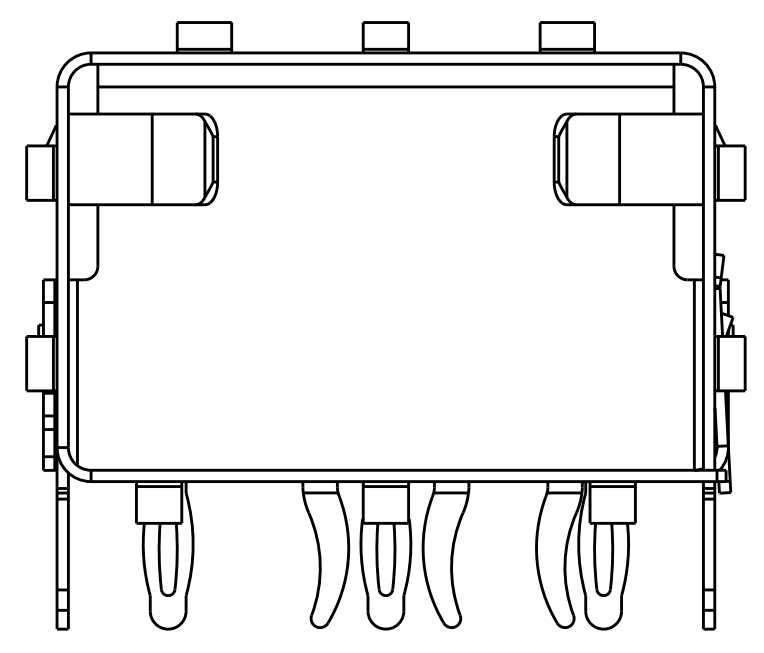
THIS DRAWING IS A CONTROLLED DOCUMENT. DIMENSIONING AND TOLERANCING PER ASME Y14.5M-2009		DWN C. VALENTINE 07NOV2012	TE Connectivity SFP, 1X1 SINGLE PIECE CAGE, W/ LIGHT PIPES, PRESS FIT
DIMENSIONS: mm		CHK M. SCHMITT 07NOV2012	
TOLERANCES UNLESS OTHERWISE SPECIFIED:		APVD M. SCHMITT 07NOV2012	NAME
0 PLC	±	PRODUCT SPEC	
1 PLC	±0.2	108-1950	SIZE
2 PLC	±0.1	APPLICATION SPEC	CAGE CODE
3 PLC	±0.1	114-13120	DRAWING NO
4 PLC	±	WEIGHT	RESTRICTED TO
ANGLES	±	A100779	Customer Drawing
MATERIAL	FINISH	SCALE	6:1
		SHEET	1 OF 4
		REV	A2

LOC		DIST		REVISIONS				
P	LTN	DATE	DMN	APVD	DESCRIPTION	DATE	DMN	APVD
-	-	-	-	-	SEE SHEET 1	-	-	-



ISOMETRIC VIEW
SCALE 6:1

NO LATCH

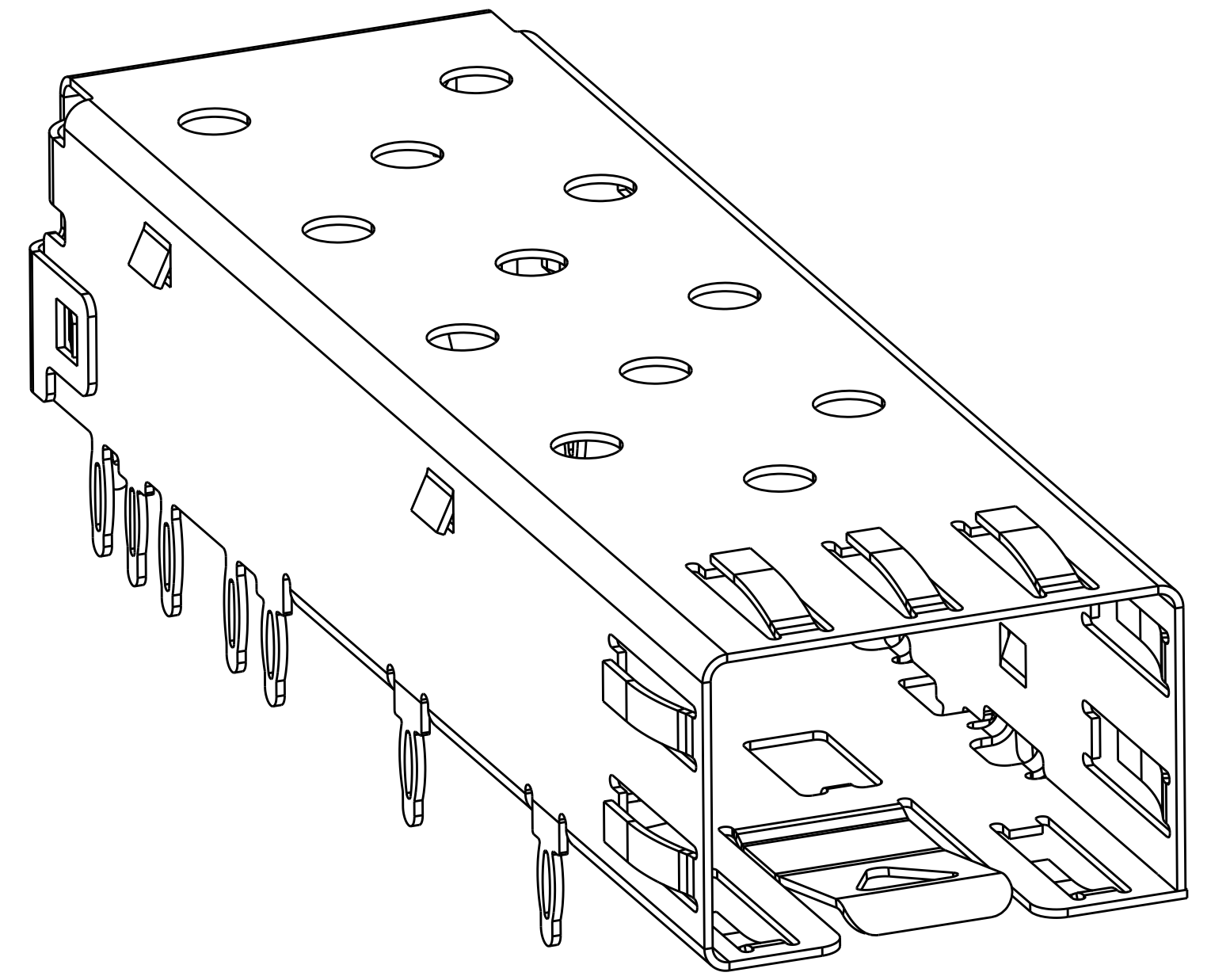


DIMENSIONS SAME AS 2227317-1

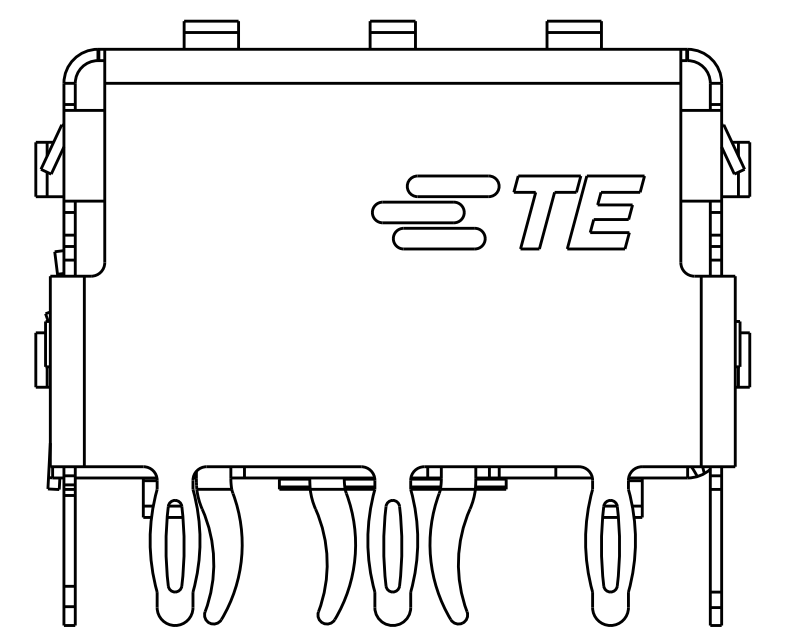
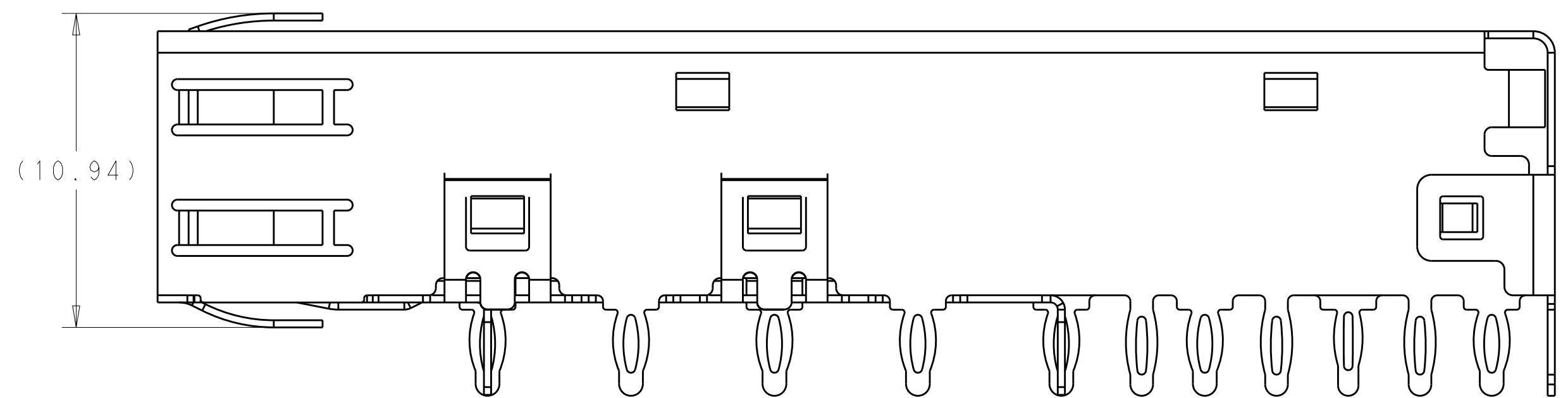
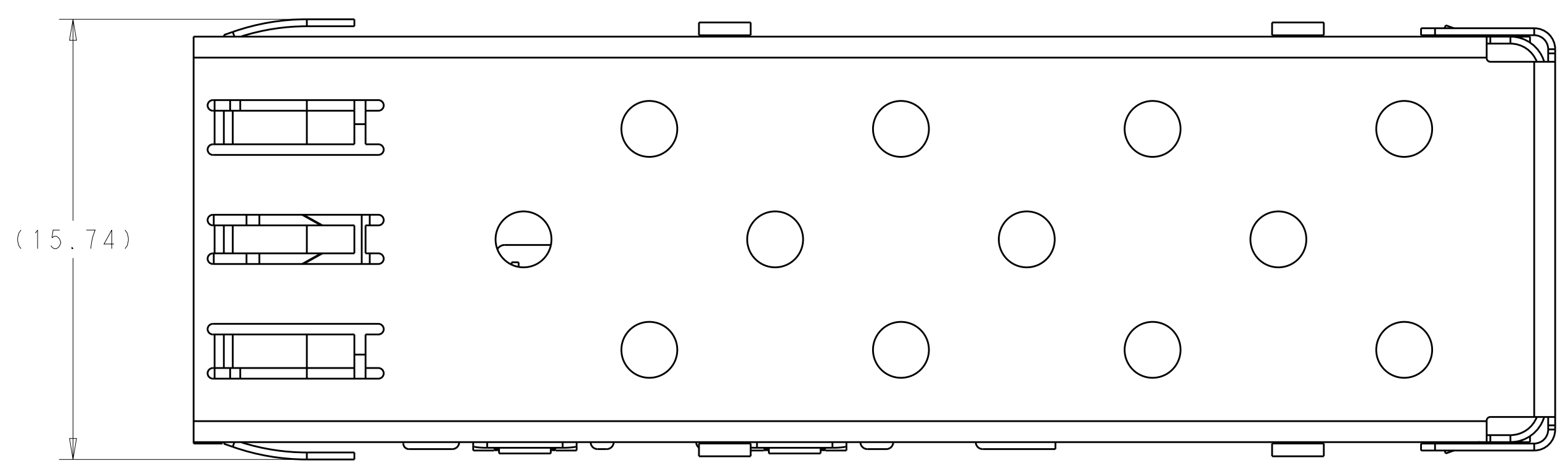
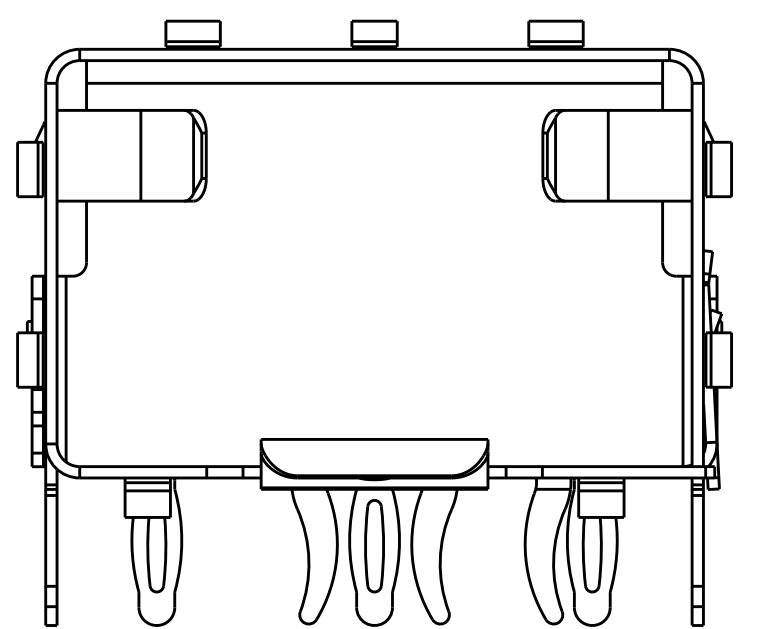
2227317-3
PART NUMBER

THIS DRAWING IS A CONTROLLED DOCUMENT. DIMENSIONING AND TOLERANCING PER ASME Y14.5M-2009.		DMN: C. VALENTINE CHK: M. SCHMITT APVD: M. SCHMITT	DATE: 07NOV2012 NAME: SFP, 1X1 SINGLE PIECE CAGE, W/ LIGHT PIPES, PRESS FIT
DIMENSIONS: mm 0 PLC ± 1 PLC ±0.2 2 PLC ±0.1 3 PLC ±0.1 4 PLC ± ANGLES ± FINISH	TOLERANCES UNLESS OTHERWISE SPECIFIED: ± ±0.2 ±0.1 ±0.1 ± ±	PRODUCT SPEC: 108-1950 APPLICATION SPEC: 114-13120 WEIGHT: - Customer Drawing	SIZE: A1 CAGE CODE: 00779 DRAWING NO: C=2227317 SCALE: 6:1 SHEET: 2 OF 4 REV: A2

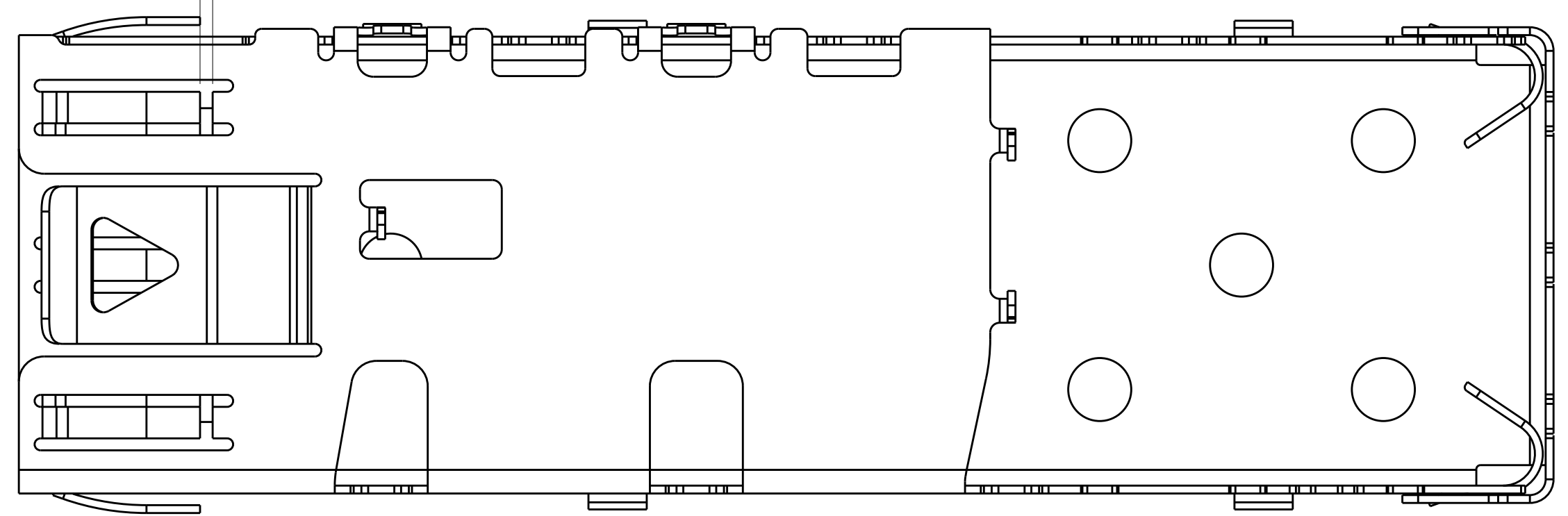
LOC	DIST	REVISIONS					
GP	00	P	LTN	DESCRIPTION	DATE	DWN	APVD
		-		SEE SHEET 1			



ISOMETRIC VIEW
SCALE 6:1



0.1MIN
(ALL SPRING FINGERS)

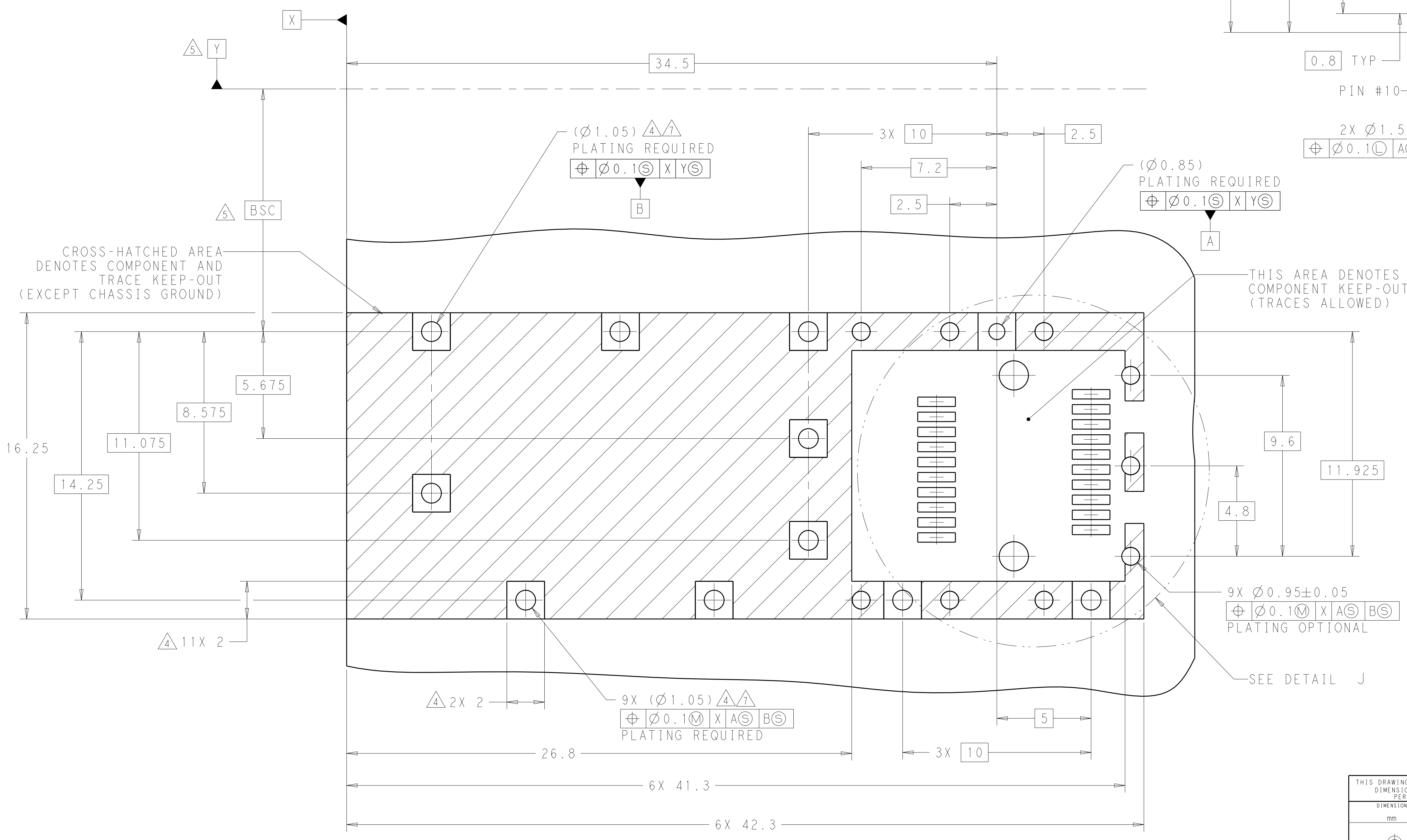
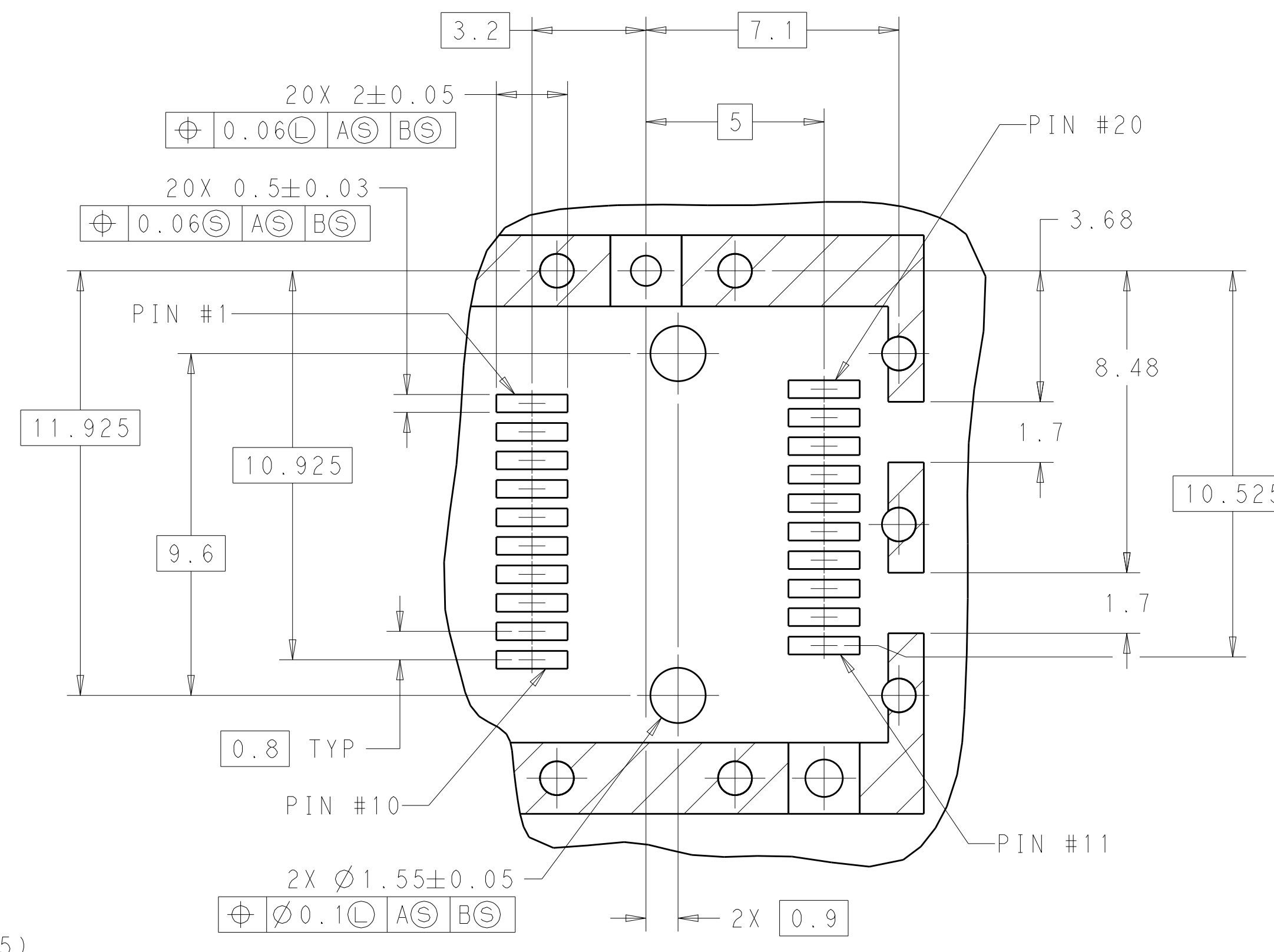
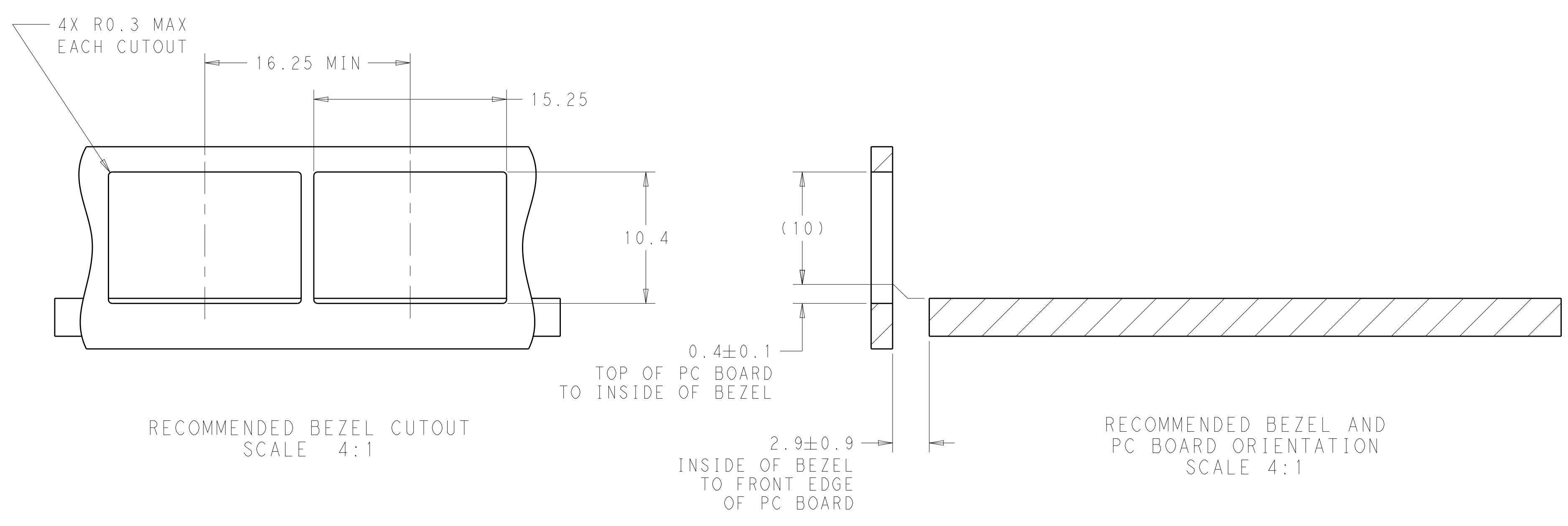


DIMENSIONS SAME AS 2227317-1

2227317-5
PART NUMBER

THIS DRAWING IS A CONTROLLED DOCUMENT. DIMENSIONING AND TOLERANCING PER ASME Y14.5M-2009		DWN C. VALENTINE 07NOV2012	TE Connectivity NAME SFP, 1X1 SINGLE PIECE CAGE, W/ LIGHT PIPES, PRESS FIT
DIMENSIONS: mm		CHK M. SCHMITT 07NOV2012	
TOLERANCES UNLESS OTHERWISE SPECIFIED: 0 PLC ± 1 PLC ±0.2 2 PLC ±0.1 3 PLC ±0.1 4 PLC ± ANGLES ± FINISH		APVD M. SCHMITT 07NOV2012	PRODUCT SPEC 108-1950 APPLICATION SPEC 114-13120 WEIGHT Customer Drawing
MATERIAL		SIZE A100779	RESTRICTED TO
		SCALE 6:1	SHEET 3 OF 4
		DRAWING NO C=2227317	REV A2

LOC	DIST	REV	DESCRIPTION	DATE	DWN	APVD
GP	00		SEE SHEET 1			



THIS DRAWING IS A CONTROLLED DOCUMENT. DIMENSIONING AND TOLERANCING PER ASME Y14.5M-2009		DWN: C. VALENTINE 07NOV2012 CHK: M. SCHMITT 07NOV2012 APVD: M. SCHMITT 07NOV2012	TE Connectivity NAME: SFP, 1X1 SINGLE PIECE CAGE, W/ LIGHT PIPES, PRESS FIT PRODUCT SPEC: 108-1950 APPLICATION SPEC: 114-13120	SIZE: A1	CAGE CODE: 00779	DRAWING NO: C=2227317	RESTRICTED TO: -
MATERIAL: -	FINISH: -	WEIGHT: -		SCALE: 1:1	SHEET: 4	OF: 4	REV: A2