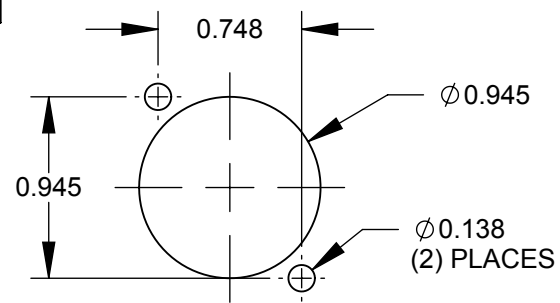
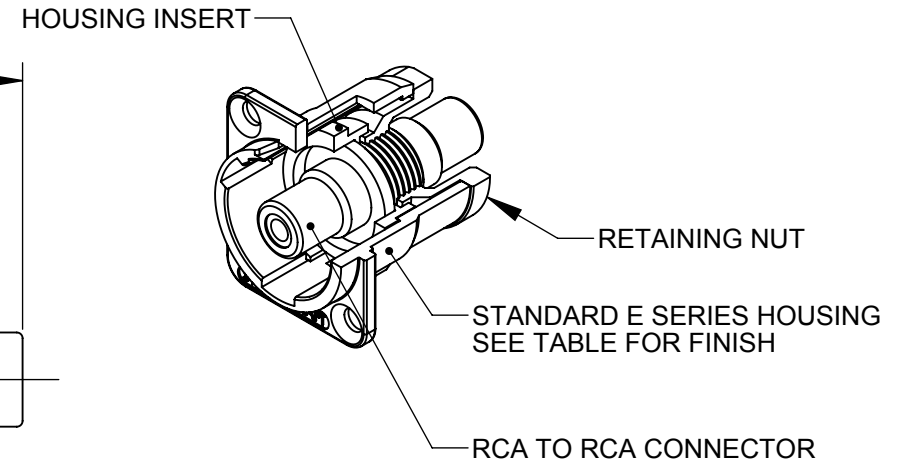
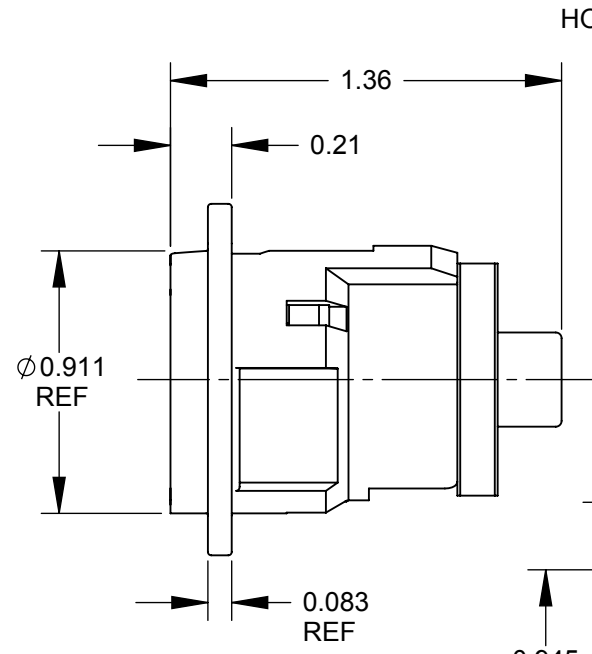


✓ $\phi 0.138$ THRU
 $\phi 0.230 \times 82^\circ$
 (2) PLACES REF



RECOMMENDED
 PANEL CUT-OUT

PART NUMBER	HOUSING FINISH
EHRCA2X	NICKEL
EHRCA2BX	BLACK CHROME

NOTES:

- MATERIALS:
 HOUSING - ZINC ALLOY
 HOUSING INSERT - THERMOPLASTIC, BLACK
 RETAINING NUT - THERMOPLASTIC, BLACK
 RCA CONNECTOR - COPPER ALLOY, NICKEL PLATED
- THIS PRODUCT IS RoHS COMPLIANT.

CUSTOMER DRAWING

					THIS DRAWING DESCRIBES A DESIGN CONSIDERED PROPRIETARY IN NATURE, DEVELOPED AND MANUFACTURED BY SWITCHCRAFT INC. AND IS RELEASED ON A CONFIDENTIAL BASIS FOR IDENTIFICATION PURPOSES ONLY.						
					SIZE	WIDTH	MULT	LBS/M	TEMPER		
					UNLESS OTHERWISE SPECIFIED			FINISH			
					1. ALL DIMENSIONS IN INCHES			MATERIAL			
					- TWO PLACE DECIMALS ± 0.02			SPEC No.			
					- THREE PLACE DECIMALS ± 0.005			FIRST USED ON			
								SCALE 1.5:1			
B	26415	7/17/09	RS	TJK	DATE DRAWN	BY	CHKD	APVD	Switchcraft [®]		
A	26104	8/31/06	RF	TJK	8/31/06	RF	RF	TJK			
								SHEET 1 OF 1			
REV	ECO NUMBER	DATE	BY	APVD	NAME			PART No.	REV		
REVISIONS					DO NOT SCALE DRAWING			E SERIES CONNECTOR, RCA, FEEDTHROUGH, RoHS		EHRCA2_X SERIES	B