

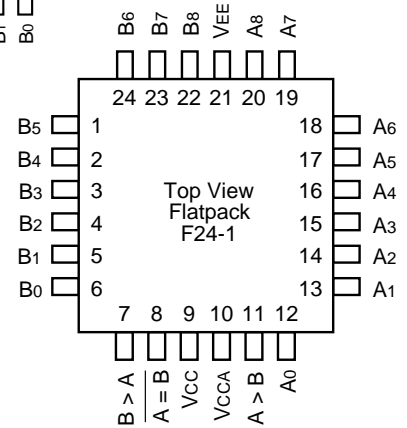
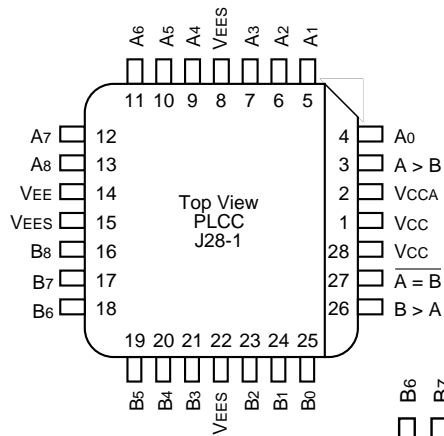
FEATURES

- Max. propagation delay of 1500ps
- IEE min. of -120mA
- Industry standard 100K ECL levels
- Extended supply voltage option:
VEE = -4.2V to -5.5V
- Voltage and temperature compensation for improved noise immunity
- Internal 75KΩ input pull-down resistors
- 120% faster than Fairchild
- Approximately 40% lower power than Fairchild
- Function and pinout compatible with Fairchild F100K
- Available in 24-pin CERPACK and 28-pin PLCC packages

DESCRIPTION

The SY100S366 is an ultra-fast 9-bit magnitude comparator designed for use in high-performance ECL systems. The device compares the arithmetic value of two 9-bit words and indicates whether one word is greater than or equal to the other. The inputs on the device have 75KΩ pull-down resistors.

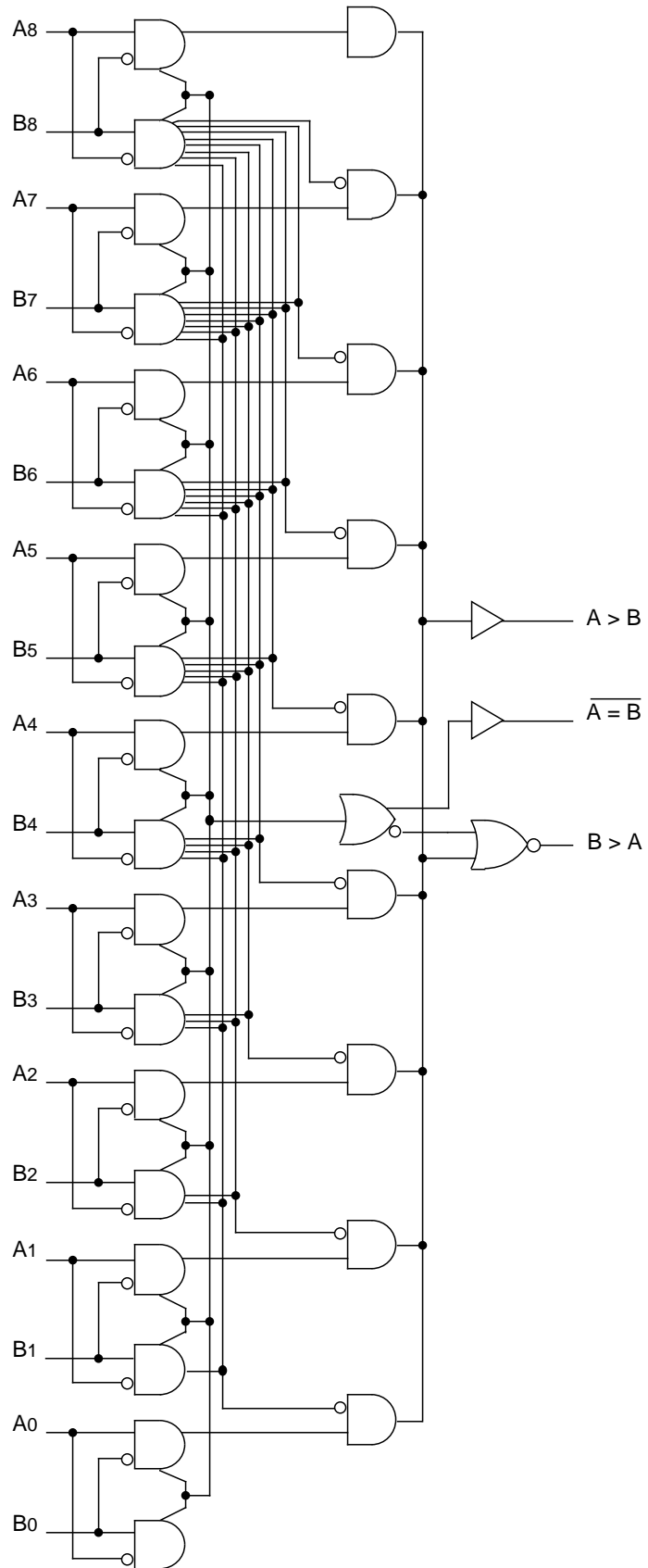
PIN CONFIGURATIONS



PIN NAMES

| Pin | Function |
|---------------|---|
| A0 – A8 | A Data Inputs |
| B0 – B8 | B Data Inputs |
| A > B | A Greater Than B Output |
| B > A | B Greater Than A Output |
| $\bar{A} = B$ | Complement A Equal to B Output (Active LOW) |
| VEES | VEE Substrate |
| VCCA | Vcco for ECL Outputs |

BLOCK DIAGRAM



TRUTH TABLE⁽¹⁾

| Inputs | | | | | | | | | Outputs | | |
|--|--|--|--|--|--|--|--|--------------------------|------------------|------------------|------------------|
| A8B8 | A7B7 | A6B6 | A5B5 | A4B4 | A3B3 | A2B2 | A1B1 | A0B0 | A > B | B > A | A = B |
| H L L H A8 = B8 A8 = B8 | H L L H | | | | | | | | H L H L | L H L H | H H H H |
| A8 = B8 A8 = B8 A8 = B8 A8 = B8 | A7 = B7 A7 = B7 A7 = B7 A7 = B7 | H L L H A6 = B6 A6 = B6 | H L L H A5 = B5 A5 = B5 | | | | | | H L H L | L H L H | H H H H |
| A8 = B8 A8 = B8 A8 = B8 A8 = B8 | A7 = B7 A7 = B7 A7 = B7 A7 = B7 | A6 = B6 A6 = B6 A6 = B6 A6 = B6 | A5 = B5 A5 = B5 A5 = B5 A5 = B5 | H L L H A4 = B4 A4 = B4 | | | | | H L H L | L H L H | H H H H |
| A8 = B8 A8 = B8 A8 = B8 A8 = B8 | A7 = B7 A7 = B7 A7 = B7 A7 = B7 | A6 = B6 A6 = B6 A6 = B6 A6 = B6 | A5 = B5 A5 = B5 A5 = B5 A5 = B5 | A4 = B4 A4 = B4 A4 = B4 A4 = B4 | A3 = B3 A3 = B3 A3 = B3 A3 = B3 | H L L H A2 = B2 A2 = B2 | | | H L H L | L H L H | H H H H |
| A8 = B8 A8 = B8 A8 = B8 A8 = B8 | A7 = B7 A7 = B7 A7 = B7 A7 = B7 | A6 = B6 A6 = B6 A6 = B6 A6 = B6 | A5 = B5 A5 = B5 A5 = B5 A5 = B5 | A4 = B4 A4 = B4 A4 = B4 A4 = B4 | A3 = B3 A3 = B3 A3 = B3 A3 = B3 | A2 = B2 A2 = B2 A2 = B2 A2 = B2 | A1 = B1 A1 = B1 A1 = B1 A1 = B1 | H L L H L H L H | H L H L | L H L H | H H H H |

NOTE:

1. H = HIGH Voltage Level, L = LOW Voltage Level, Blank = X = Don't Care

DC ELECTRICAL CHARACTERISTICS

V_{EE} = -4.2V to -5.5V unless otherwise specified; V_{CC} = V_{CCA} = GND

| Symbol | Parameter | Min. | Typ. | Max. | Unit | Condition |
|-----------------|--------------------------------|------|------|------|------|--|
| I _{IH} | Input HIGH Current, All Inputs | — | — | 200 | μA | V _{IN} = V _{IH} (Max.) |
| I _{EE} | Power Supply Current | -120 | -86 | -60 | mA | Inputs Open |

AC ELECTRICAL CHARACTERISTICS

CERPACK

V_{EE} = -4.2V to -5.5V unless otherwise specified; V_{CC} = V_{CCA} = GND

| Symbol | Parameter | T _A = 0°C | | T _A = +25°C | | T _A = +85°C | | Unit | Condition |
|--------------------------------------|---|----------------------|------|------------------------|------|------------------------|------|------|-----------|
| | | Min. | Max. | Min. | Max. | Min. | Max. | | |
| t _{PLH} t _{PHL} | Propagation Delay Data to Output | 400 | 1600 | 400 | 1600 | 400 | 1600 | ps | |
| t _{TLH} t _{THL} | Transition Time 20% to 80%, 80% to 20% | 300 | 900 | 300 | 900 | 300 | 900 | ps | |

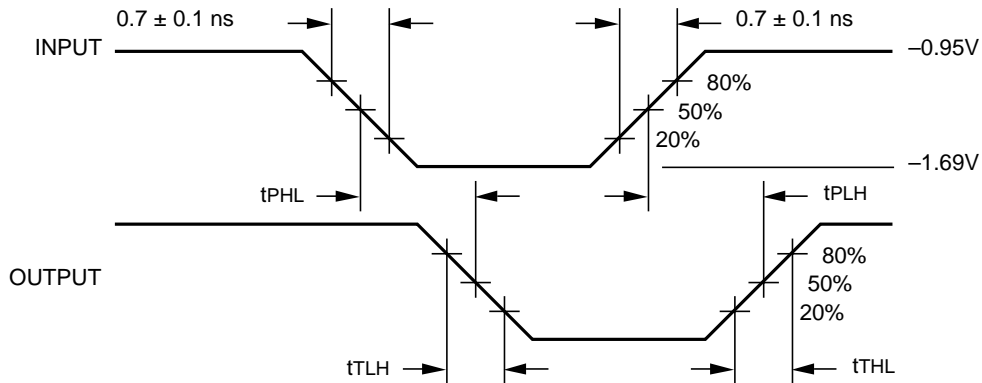
AC ELECTRICAL CHARACTERISTICS

PLCC

VEE = -4.2V to -5.5V unless otherwise specified; VCC = VCCA = GND

| Symbol | Parameter | TA = 0°C | | TA = +25°C | | TA = +85°C | | Unit | Condition |
|--------------|---|----------|------|------------|------|------------|------|------|-----------|
| | | Min. | Max. | Min. | Max. | Min. | Max. | | |
| tPLH tPHL | Propagation Delay Data to Output | 400 | 1500 | 400 | 1500 | 400 | 1500 | ps | |
| tTLH tTHL | Transition Time 20% to 80%, 80% to 20% | 300 | 900 | 300 | 900 | 300 | 900 | ps | |

TIMING DIAGRAM



Propagation Delay and Transition Times

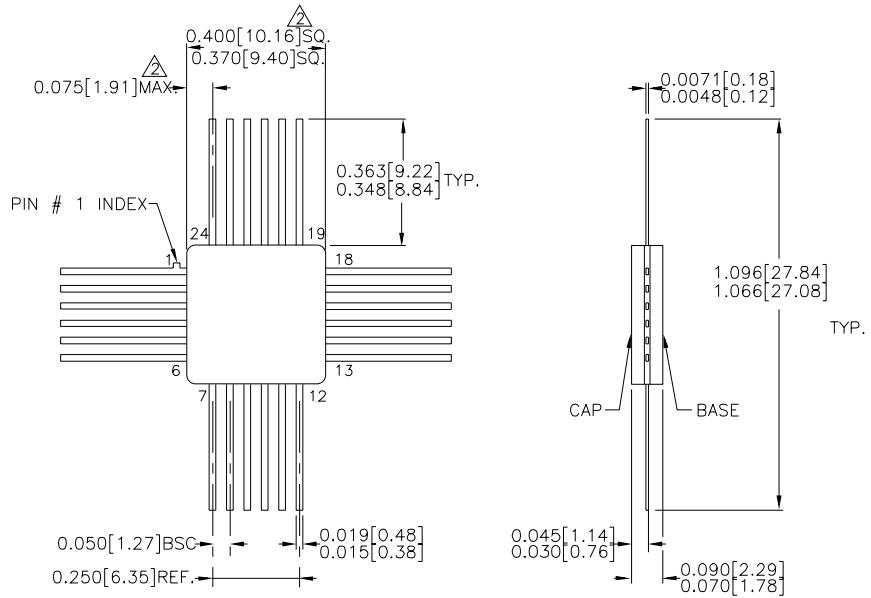
NOTE:

VEE = -4.2V to -5.5V unless otherwise specified; VCC = VCCA = GND

PRODUCT ORDERING CODE

| Ordering Code | Package Type | Operating Range |
|---------------|--------------|-----------------|
| SY100S366FC | F24-1 | Commercial |
| SY100S366JC | J28-1 | Commercial |
| SY100S366JCTR | J28-1 | Commercial |

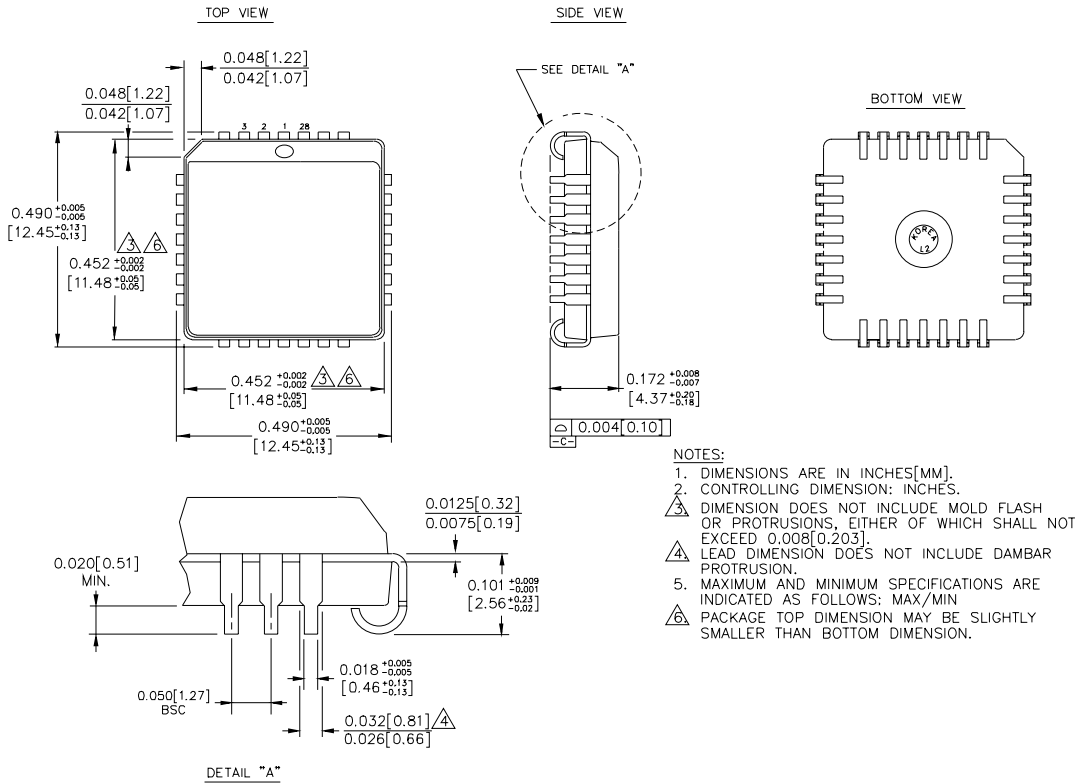
24 LEAD CERPACK (F24-1)



- NOTES:**
1. DIMENSIONS ARE IN INCHES[MM].
 2. THIS DIMENSION INCLUDES GLASS PROTRUSION AND CAP TO BASE ALIGNMENT TOLERANCES.
 3. DIMENSIONS SHOWN ARE MAX/MIN, WHERE NOTED.

Rev. 03

28 LEAD PLCC (J28-1)



Rev. 03

MICREL-SYNERGY 3250 SCOTT BOULEVARD SANTA CLARA CA 95054 USA

TEL + 1 (408) 980-9191 FAX + 1 (408) 914-7878 WEB <http://www.micrel.com>

This information is believed to be accurate and reliable, however no responsibility is assumed by Micrel for its use nor for any infringement of patents or other rights of third parties resulting from its use. No license is granted by implication or otherwise under any patent or patent right of Micrel Inc.

© 2000 Micrel Incorporated