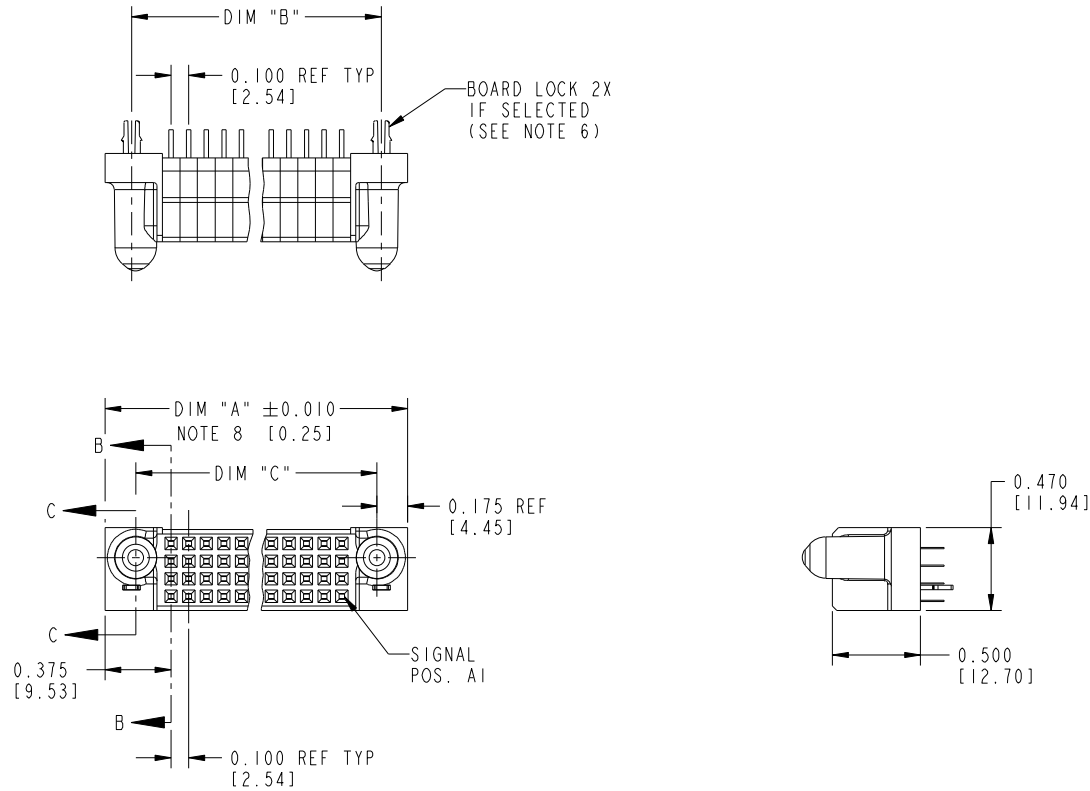


Tous droits strictement reserves. Reproduction ou communication a des tiers interdite sous quelque forme que ce soit sans autorisation ecrite du proprietaire. Propriete de c FCI. Droits de reproduction FCI.



All rights strictly reserved. Reproduction or issue to third parties in any form whatever is not permitted without written authority from the proprietor. Property of FCI. Copyright FCI.

PRODUCT NUMBER  
51967-A00CCC00EF--  
Note: ①  
SEE NOTE 1



mat'l code				SEE NOTE 2		tolerances unless otherwise specified		CUSTOMER		FCI	
ltr	ecn no.	dr	date	linear	.XX±.01/0.X±0.3	.XXX±.005/0.XX±0.13		COPY		www.fciconnect.com	
A	V04-0660	TAB	06/23/04			.XXX±.0020/.XX±.051		projection		title	
B	DG05-0124	SJ	06/02/05		0°±2°		INCH/MM		VERTICAL RECEPTACLE w/GUIDE PIN SIGNAL		
C	DG08-0239	JC	09/12/08	angles			scale		product family		
				dr	T. BRUNGARD	06/23/04	1:1		PwrBlade		
				enrg	M. MOSTOLLER	mm/dd/yy	A		code		
				chr	M. GRAY	06/23/04			213		
				appd	M. GRAY	06/23/04			sheet		
sheet index		revision sheet		C	C	C			1 of 3		
		1 2 3									

cage code 22526

Pro/E

Tous droits strictement réservés. Reproduction ou communication à des tiers interdite sous quelque forme que ce soit sans autorisation écrite du propriétaire. Property of FCI. Droits de reproduction FCI.



All rights strictly reserved. Reproduction or issue to third parties in any form whatever is not permitted without written authority from the proprietor. Property of FCI. Copyright FCI.

PRODUCT NUMBER
51967-A00CCC00EF-- Note: ③
SEE NOTE 1

DIM	LENGTH FORMULAS (SEE NOTE 8)
DIM "A"	.100 [2.54] x (CCC/4) + .650 [16.51] (NOTE 8)
DIM "B"	.100 [2.54] x (CCC/4) + .350 [8.89]
DIM "C"	.100 [2.54] x (CCC/4) + .300 [7.62]
DIM "D"	.100 [2.54] x (CCC/4) + .680 [17.27]

CONNECTOR NOTES

- PRODUCT NUMBER CODE:  
51967 - A 00 CCC 00 E F LF  
  - NO THIS SUFFIX: 100u"/2.54um SnPb ON PCB INTERFACE
  - ADD THIS SUFFIX: 78u"/2.00um Sn ON PCB INTERFACE
  - RETENTION TO PCB (NOTE 6)
  - TAIL OPTIONS (NOTE 5)
  - ALWAYS "00"
  - NUMBER OF SIGNAL CONTACTS (NOTE 4)
  - ALWAYS "00"
  - PLATING (NOTE 3)
  - BASE NUMBER
- HOUSING MATERIAL: GLASS FILLED V-O HIGH TEMP THERMO PLASTIC.  
SIGNAL CONTACT MATERIAL: COPPER ALLOY
- PLATING OPTION:  
I = SEE PRINT 10064183 FOR PLATING SPEC OF 51967-100CCC00EF AND 51967-100CCC00EFLF
- SIGNAL CONTACTS, 004 TO 148 AVAILABLE.
- TAIL OPTIONS:  
A = .135 ± 0.010 [3.43 ± 0.25] SOLDER TO BOARD  
C = .135 ± 0.010 [3.43 ± 0.25] PRESS FIT

- RETENTION TO PCB OPTIONS:  
A = BOARD LOCK (REQUIRES .098 + .002, -.001 [2.49 + 0.05, -0.03] THRU HOLE IN PCB) RECOMMENDED ON SYMMETRIC CONNECTORS. BOARD LOCK TO BE USED IN CONJUNCTION WITH AN .092 PCB OR THICKER.  
C = NO RETENTION FEATURE.
  - MANUFACTURE'S NAME, P/N, AND DATE CODE TO APPEAR ON THIS SURFACE.
  - THE MAXIMUM OVERALL LENGTH (DIM A) OF A PART IS 8.00 [203.2].
  - PRODUCT SPECIFICATION GS-12-149.
- PCB NOTES:
- ALL DIMENSIONS ARE BASIC UNLESS OTHERWISE SPECIFIED.
  - ALL THROUGH HOLES ARE LOCATED WITH A TRUE POSITION OF .004 [0.01]
  - ALL HOLE DIAMETERS ARE FINISHED HOLE SIZE.
  - 0.0453 ± .001 [1.151 ± .02] DRILLED HOLES PLATED WITH 0.0003 [0.007] MIN SnPb OVER 0.001 [1.03] TO .003 [0.08] PLATING TO ACHIEVE A .040 ± .003 [1.02 ± .08] HOLE.
  - A  $\Delta$  SYMBOL WILL BE NEXT TO ANY DIMENSION, VIEW, OR NOTE WHICH HAS BEEN MODIFIED WITH THE CURRENT DRAWING REVISION.

mat'l code		SEE NOTE 2		tolerances unless otherwise specified		CUSTOMER		FCI		www.fciconnect.com	
ltr	ecr no.	dr	date	linear	.XX ± .01 / 0.X ± 0.3	COPY		title			
C					.XXX ± .005 / 0.XX ± 0.13	projection		VERTICAL RECEPTACLE w/GUIDE PIN SIGNAL			
				angles	.XXX ± .0020 / .XXX ± .051			product family			
				dr	0° ± 2°	INCH/MM		PwrBlade		code	
				enrg	T. BRUNGARD 06/23/04	scale		size		213	
				chr	M. MOSTOLLER mm/dd/yy	1:1		dwg no		sheet	
				appd	M. GRAY 06/23/04	A		51967		2 of 3	
					M. GRAY 06/23/04						
sheet index	revision sheet										

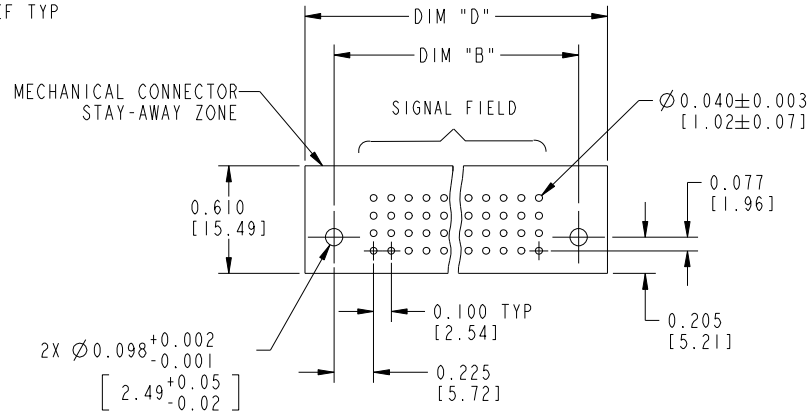
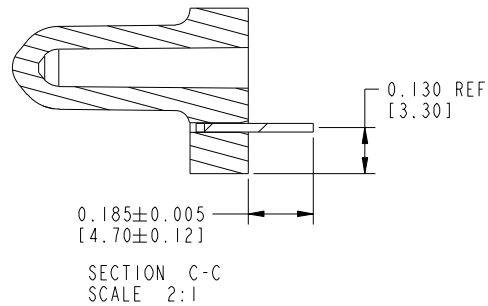
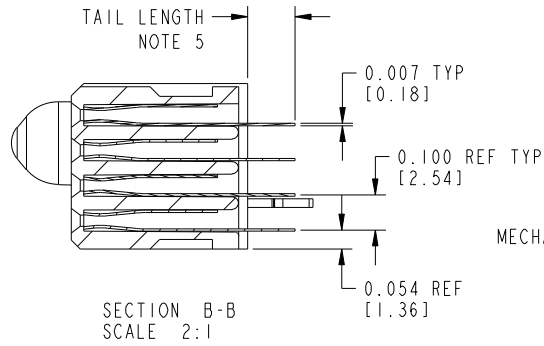
cage code 22526

Tous droits strictement réservés. Reproduction ou communication à des tiers interdite sous quelque forme que ce soit sans autorisation écrite du propriétaire. Propriété de c.FCI. Droits de reproduction FCI.



All rights strictly reserved. Reproduction or issue to third parties in any form whatsoever is not permitted without written authority from the proprietor. Property of FCI. Copyright FCI.

PRODUCT NUMBER
51967-A00CCC00EF-- Note: ③
SEE NOTE 1



mal'1 code SEE NOTE 2				tolerances unless otherwise specified		CUSTOMER		 www.fciconnect.com	
ltr	ecn no.	dr	date	linear	.XX±.01/0.XX±0.3	COPY		title	
C					.XXX±.005/0.XX±0.13	projection		VERTICAL RECEPTACLE w/GUIDE PIN SIGNAL	
				angles	.XXX±.0020/.XXX±.051			product family PwrBlade code 213	
				dr	T. BRUNGARD 06/23/04	INCH/MM		size dwg no 51967 sheet 3 of 3	
				enr	M. MOSTOLLER mm/dd/yy	scale 1:1			
				chr	M. GRAY 06/23/04				
				appd	M. GRAY 06/23/04				
sheet index	revision sheet								

cage code 22526

Pro/E