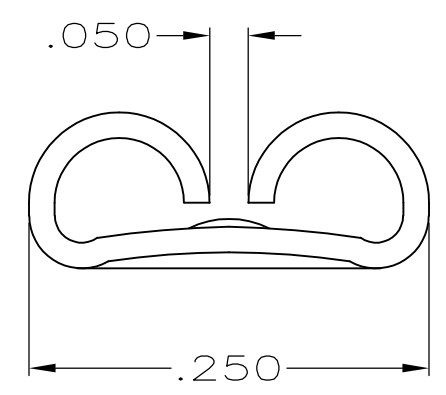
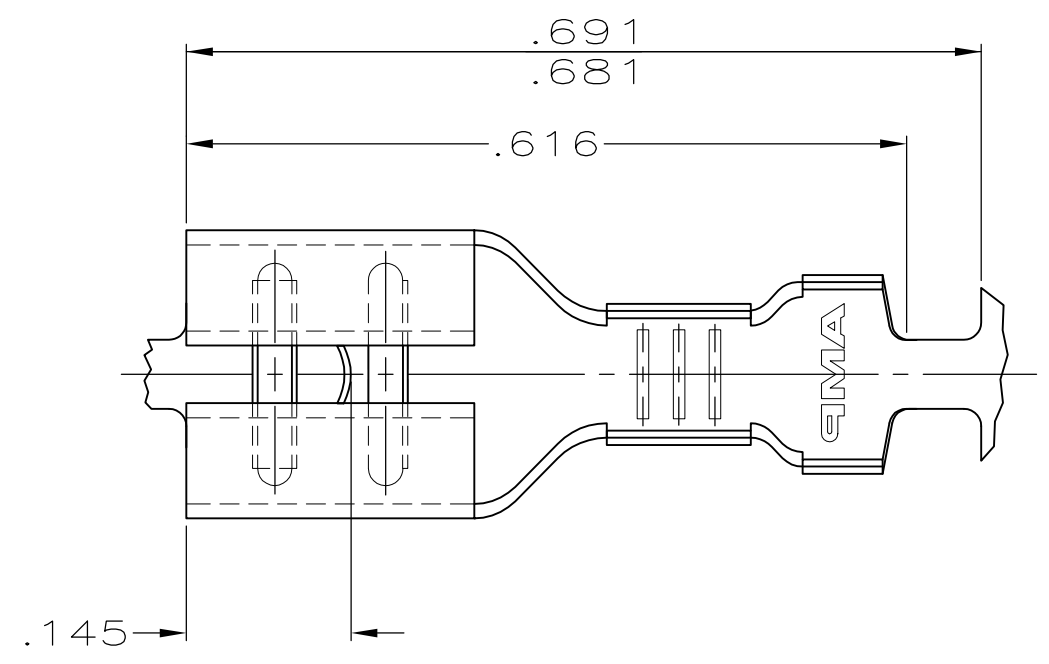


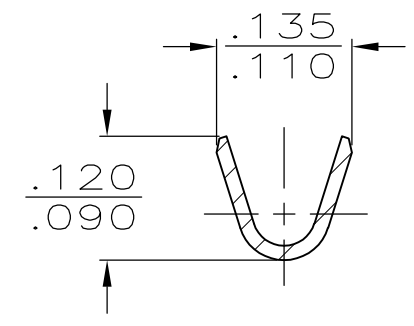
THIS DRAWING IS UNPUBLISHED. RELEASED FOR PUBLICATION
 © COPYRIGHT - By - ALL RIGHTS RESERVED.

LOC	DIST	REVISIONS			
P	LTR	DESCRIPTION	DATE	DWN	APVD
AF	50	V	REVISED PER ECR-12-013445	08NOV12	KH PD

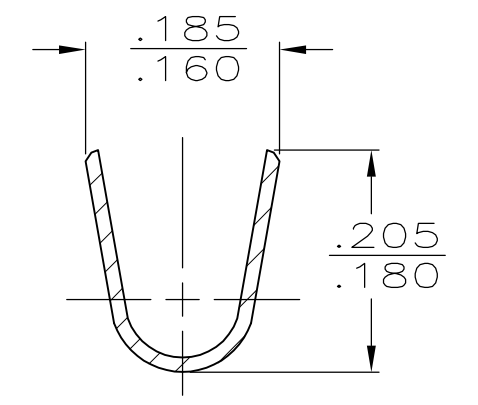
- △ 1 BRASS
- △ 2 TEMPER 3 PHOS BRONZE



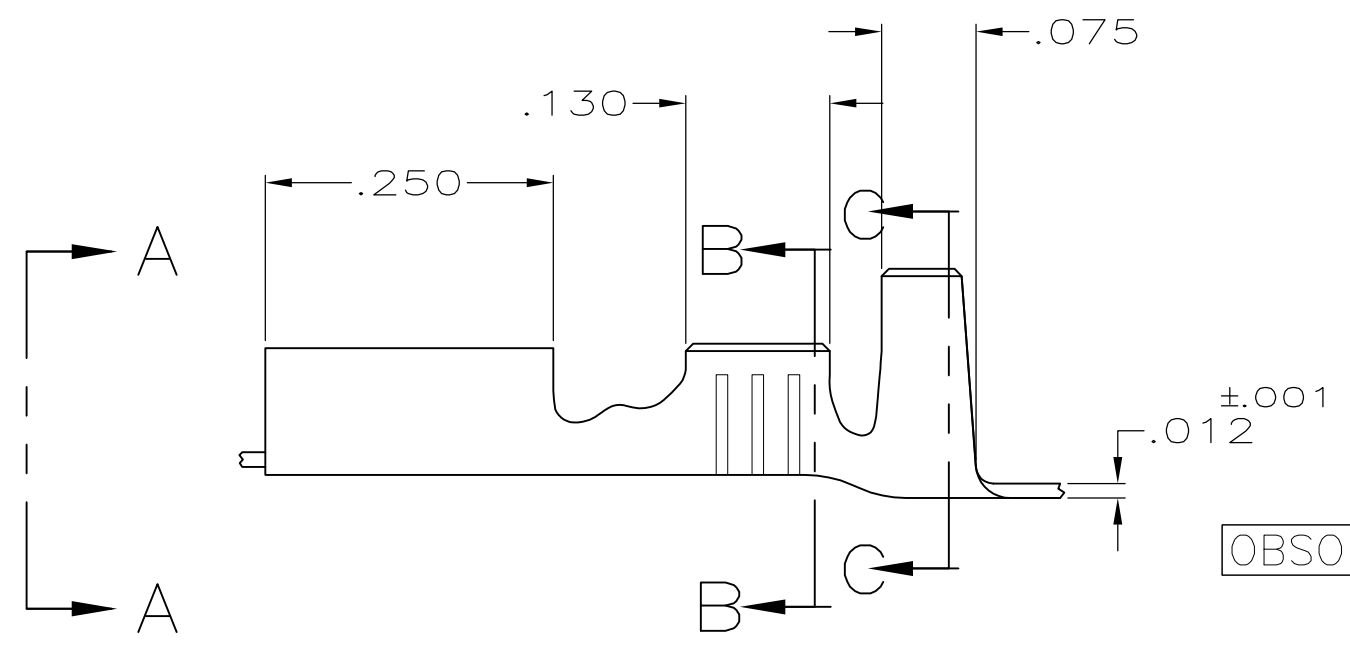
VIEW A-A



SECT. B-B



SECT. C-C



OBSOLETE	△ 2 TIN	.085-.125 DIA	#22-#18 AWG	42198-3
	△ 1 BRASS			42198-2
	△ 1 NONE			42198-1
MATERIAL & FINISH		INSULATION RANGE	WIRE SIZE	PART NO.

THIS DRAWING IS A CONTROLLED DOCUMENT.		DWN JR RUTH 8/16/95	STE TE Connectivity		
DIMENSIONS: INCHES		CHK MS FEHER 8/16/95			
TOLERANCES UNLESS OTHERWISE SPECIFIED:		APVD P DESANTIS 8/16/95	RECEPTACLE, FASTON, .205 SERIES		
0 PLC ± - 1 PLC ± - 2 PLC ± - 3 PLC ± .015 4 PLC ± - ANGLES ± -		PRODUCT SPEC -	APPLICATION SPEC -		RESTRICTED TO -
MATERIAL SEE TABLE		FINISH SEE TABLE	WEIGHT -	SIZE A3	CAGE CODE 00779
CUSTOMER DRAWING			DRAWING NO C-42198	SCALE 6:1	SHEET 1 OF 1
			REV V		