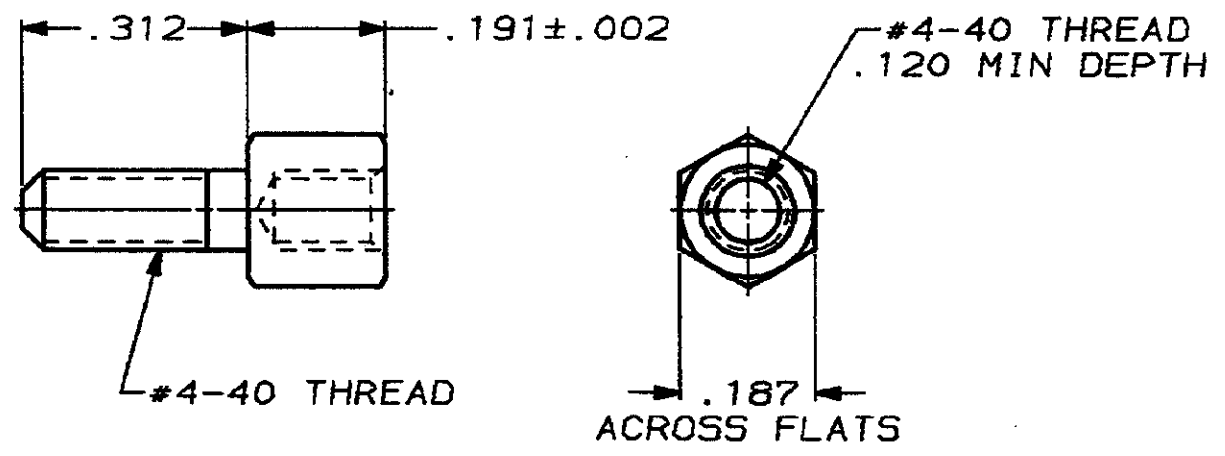


THIS DRAWING IS UNPUBLISHED. RELEASED FOR PUBLICATION .19  
 © COPYRIGHT 19 BY AMP INCORPORATED. ALL INTERNATIONAL RIGHTS RESERVED.

LOC	DIST	P	F	REVISIONS				
				ZONE	LTR	DESCRIPTION	DATE	APPD
BD	39				B	REV & REDRAWN ECNS-2261 & 2262	-	-



- ① ZINC PLATED PER ASTM B633, TYPE II, CLASS SC1, YELLOW CHROMATE.
- ② ZINC PLATED PER ASTM B633, TYPE III, CLASS SC1, CLEAR CHROMATE.

②	205818-3
①	205818-2
FINISH	PART NO

DO NOT SCALE PRINT. UNLESS SPECIFIED DIMENSIONS IN INCHES TOLERANCES ON:		DR: <i>R. Whyne 5-23-88</i> CHE: <i>W. Wilson 5-23-88</i> APPD: <i>R. Whyne 5-24-88</i> APPD: <i>V. K. MAY 5/24/88</i>		<b>AMP</b>   AMP INCORPORATED Harrisburg, Pa. 17105	
MATERIAL	COLD ROLLED STEEL PER ASTM A108	PRODUCT SPEC	-	SCREWLOCK, FEMALE, AMPLIMITE®	
FINISH	SEE TABLE	APPLICATION SPEC	-	SIZE	<b>B</b>
		WEIGHT	-	FSCM NO	00779
				DRAWING NO	205818
				SCALE	4:1
				SHEET	1 OF 1