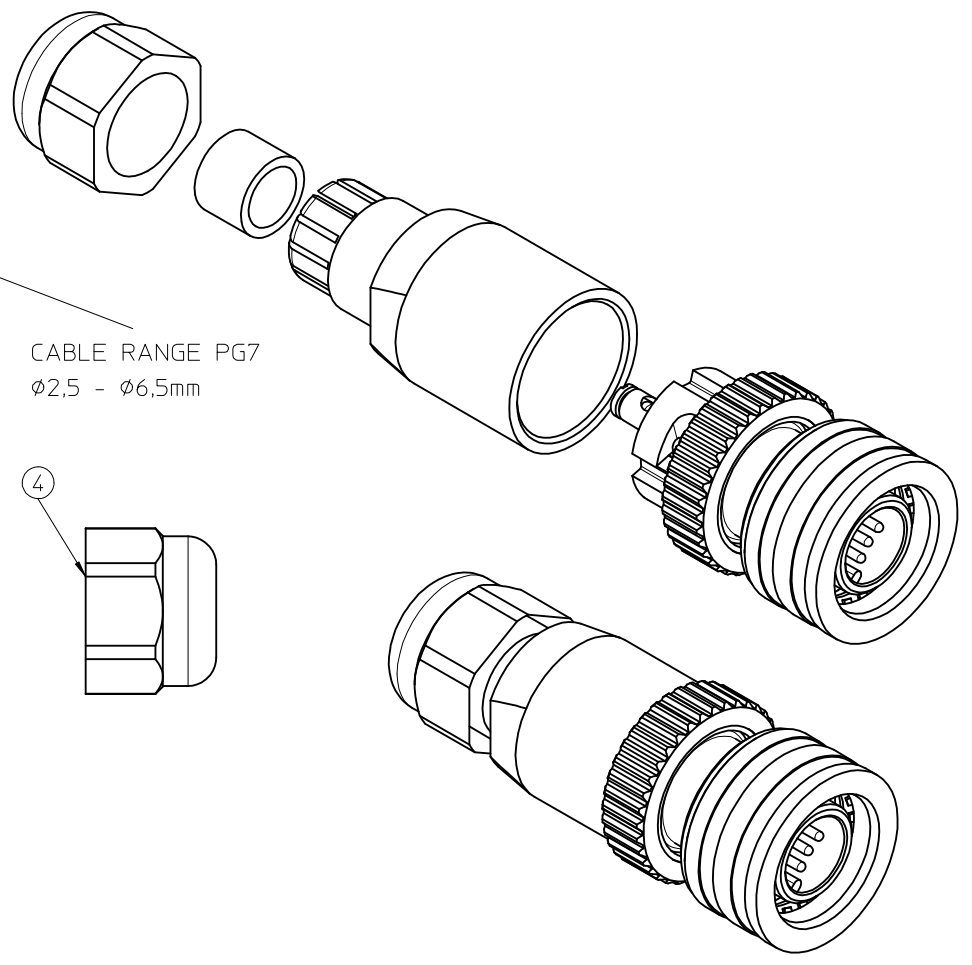
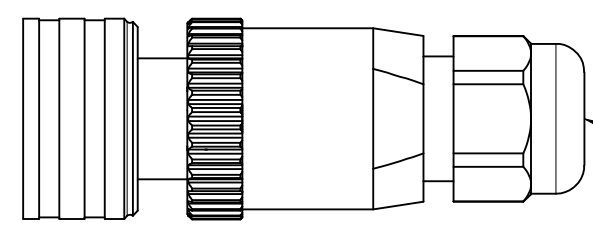
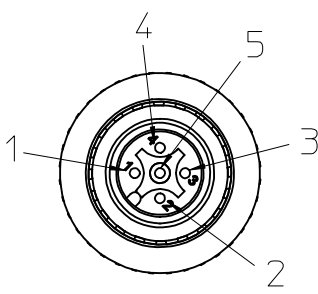
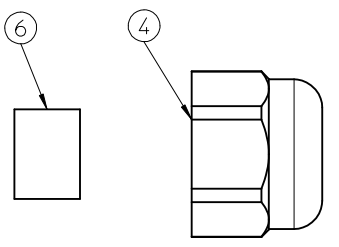
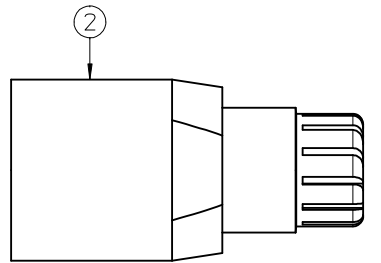
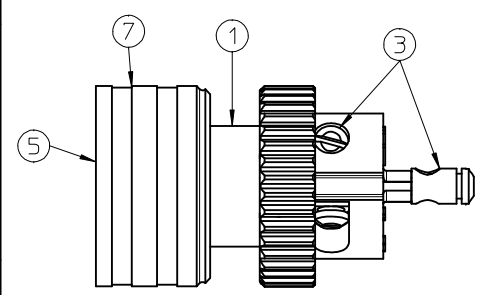


10 9 8 7 6 5 4 3 2 1



CABLE RANGE PG7
 $\phi 2,5 - \phi 6,5\text{mm}$



ITEM	COMPONENT	MATERIAL	FINISH
1	INSERT	PA	BLACK
2	HOUSING	PA	BLACK
3	CONTACT	BRASS / GOLD	CuZn Ni/ Au
4	PG NUT	PA	BLACK
5	O-RING	VITON	RED
6	GROMMET	CR	BLACK
7	ULTRA-LOCK	BRASS /ST.STEEL	NICKEL PLATED

POL	MATERIAL NO.	ENGINEERING NO.
4	1200850003	WA4006-31
5	1200850004	WA5006-31

VOLTAGE RATING: 4 POLE: 250 VAC/VDC
 5 POLE: 30 VAC/36 VDC

AMPERAGE RATING: 4A

PROTECTION CLASS: IP 67/68/69K

OPERATING TEMPERATURE: -25°C / 90°C

UL CERTIFICATION: FILE NO. E152210

CSA CERTIFICATIONS: FILE NO. LR6837

ENTER DESCRIPTION	2013/06/28
EC NO: IPG2013-2053	DRW:BBRAUCH
CHKD:	2013/06/28
APPR:CBURGER	DESCRIPTION
REV	

QUALITY SYMBOLS	GENERAL TOLERANCES (UNLESS SPECIFIED)	
	mm	INCH
▽=0	4 PLACES ± ---	± ---
◻=0	3 PLACES ± ---	± ---
	2 PLACES ± 0.05	± ---
	1 PLACE ± 0.1	± ---
	0 PLACE ± 0.5	±
	ANGULAR ± 1 °	
	DRAFT WHERE APPLICABLE MUST REMAIN WITHIN DIMENSIONS	

DIMENSION STYLE	
MM ONLY	
DRAWN BY	DATE
FPACHER	2009/12/22
CHECKED BY	DATE
APPROVED BY	DATE
FPACHER	2010/02/05
MATERIAL NO.	

SCALE	DESIGN UNITS	THIRD ANGLE PROJECTION
2:1	METRIC	
TITLE		
FA U12 XP AC MA STR PG7 BK BRA		
molex		
DOCUMENT NO.	SHEET NO.	
SD-120085-001	1 OF 1	
THIS DRAWING CONTAINS INFORMATION THAT IS PROPRIETARY TO MOLEX INCORPORATED AND SHOULD NOT BE USED WITHOUT WRITTEN PERMISSION		

9 8 7 6 5 4 3 2 1