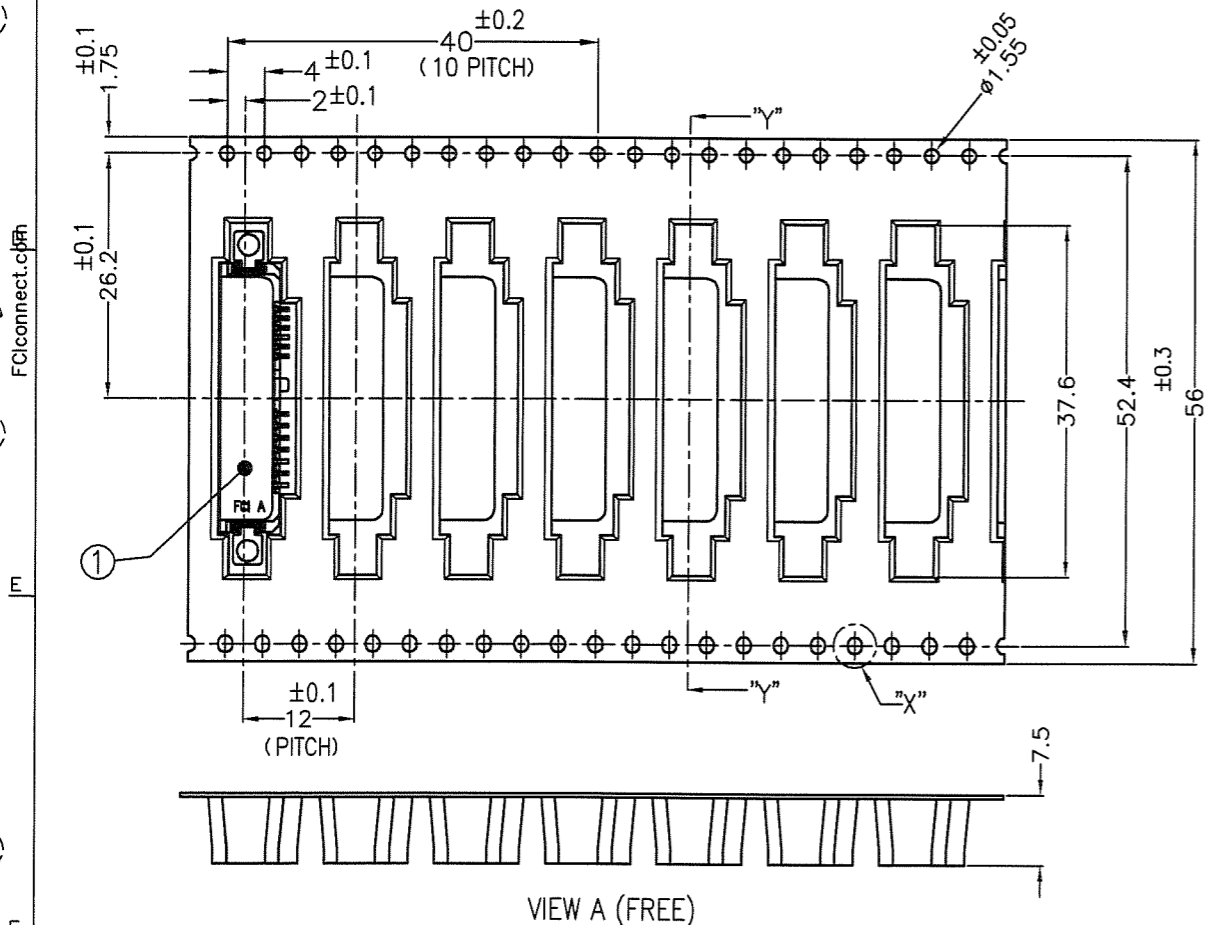
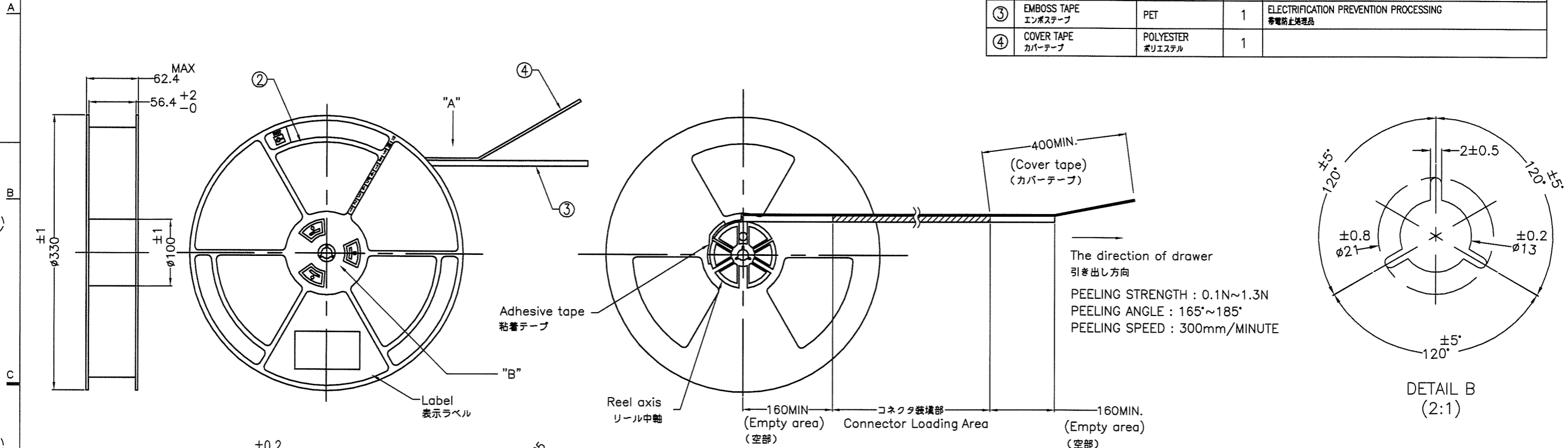


PRODUCT NO.	① CONNECTOR	QTY
10085304-2001ELF	10085304-2001ALF	600
10085304-4001ELF	10085304-4001ALF	600
10085304-4101ELF	10085304-4101ALF	600

EMBOSS PACKAGE

PARTS TABLE 部品表

No.	PART NAME 部品名	MATERIAL 材質	QTY.	NOTE 備考
①	CONNECTOR コネクタ	SEE SHEET 2	600	
②	THE REEL FOR PACKAGING 梱包用リール	POLYSTYRENE ポリスチレン	1	Color : BLACK or BLUE, ELECTRIFICATION PREVENTION PROCESSING 色 : 黒または青、帯電防止処理品
③	EMBOSS TAPE エンボステープ	PET	1	ELECTRIFICATION PREVENTION PROCESSING 帯電防止処理品
④	COVER TAPE カバーテープ	POLYESTER ポリエステル	1	



NOTE

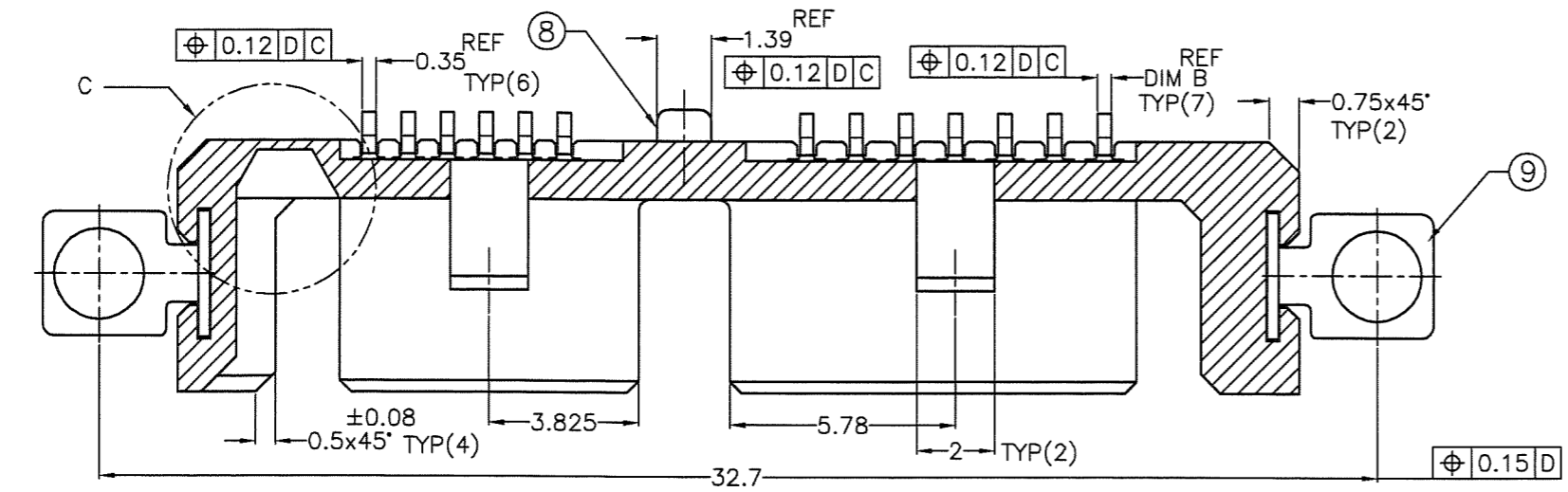
- THIS ARTICLE CARRIES OUT THE EMBOSS TAPE PACKAGE OF THE SLIM LINE SATA CONNECTOR.
- THE SHAPE AND DIMENSION OF THIS ARTICLE ARE BASED ON JIS C 0806. (TAPING OF ELECTRIC PARTS < SURFACE MOUNTED DEVICE >)
- PACKAGING SPEC. : REFER TO GS-14-1268
- PRODUCT SPEC. : REFER TO GS-12-543

注記

- 本品はスリムラインシリアルイーティーイーコネクタをエンボステープ梱包したものである。
- 本品の形状及び寸法規定は JIS C 0806 (電子部品のテーピング (表面実装部品)) に準拠する。
- 梱包規格は GS-14-1268 を参照のこと
- 製品規格は GS-12-543 を参照のこと

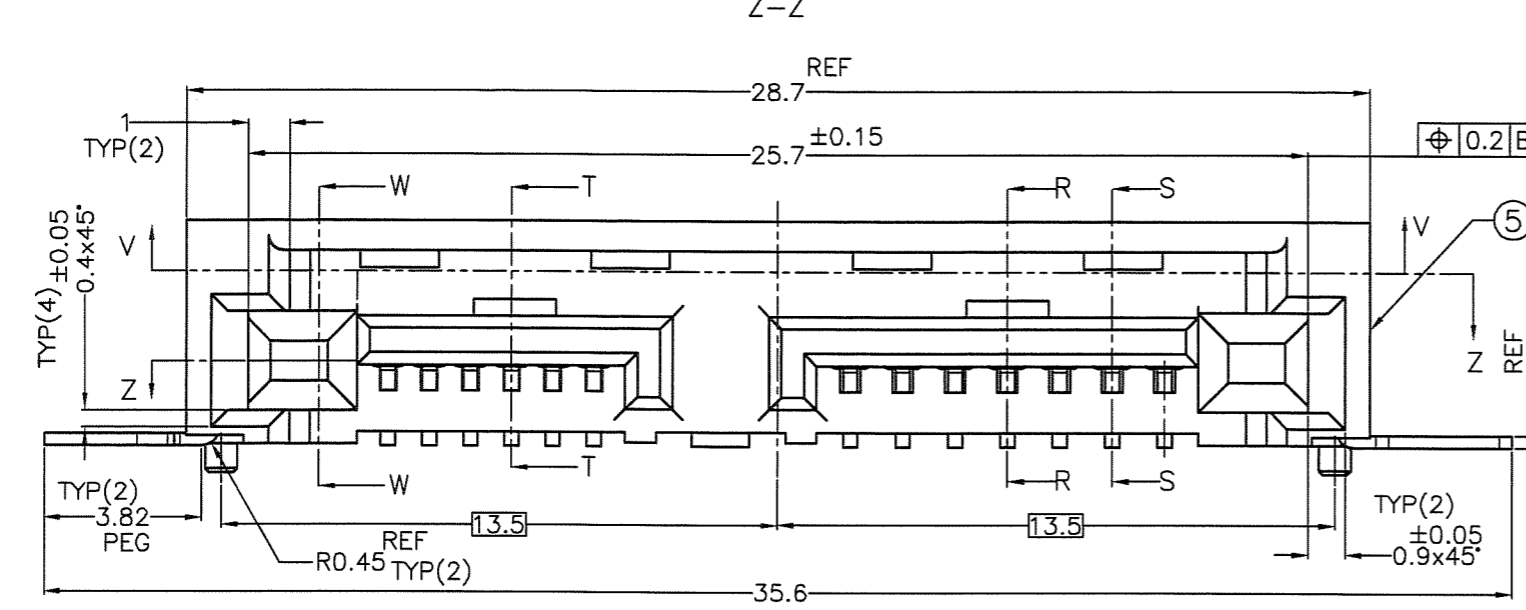
mat'l. code		surface		tolerance		projection		product family		CODE	
ltr	description	ecn no	dr	date	ISO 1302	ISO 406	ISO 1101	mm	530F SATA PLUG SLIM LINE	JP	
A	RELEASED	J08-0078	N.S	2008-2-28	linear	0.X	±0.2		SLIM LINE SATA 7+6P PLUG		
B	REVISED	J08-0130	N.S	2008-3-25		0.XX	±0.2		SCREW(SQUARE), R/A SMT		
C	REVISED	J08-0153	N.S	2008-4-3	±2°	0.XXX	±0.2	scale 1:3			
D	REVISED	J08-0211	N.S	2008-5-18	dr	N.SASAME		2008-4-13	sheet 1 of 4 size		
E	ADDED_ITEM	J08-0442	N.S	2008-11-18	enrg	N.SASAME		2008-4-13	10085304		
F	REVISED	J08-0087	N.S	2008-3-6	chr	Y. Kawanishi		2008-4-13	A2		
G	REVISED	J08-0134	N.S	2008-4-13	appd	H.SUZUKI		2008-4-13	type PRODUCT CUSTOMER Drawing		
sheet	revision	G	G	G	G				Rev. G		
index	sheet	1	2	3	4						

CONNECTOR ASSY

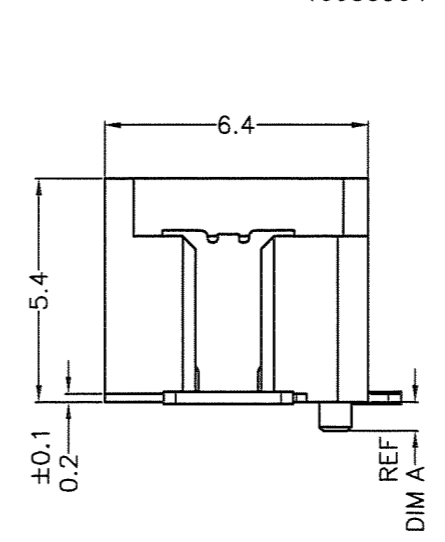


PARTS TABLE 部品表

No.	Part name 部品名	QTY.	Note 備考
⑤	HOUSING ハウジング	1	HIGH TEMP THERMOPLASTIC COLOR : BLACK , UL94V-0
⑥	SIGNAL CONTACT シグナルコンタクト	7	COPPER ALLOY CONTACT AREA : Au SOLDERING AREA : Au or TIN
⑦	POWER CONTACT パワーコンタクト	6	COPPER ALLOY CONTACT AREA : Au SOLDERING AREA : Au or TIN
⑧	SOLDER PEG (CENTER) 溶剤金具 (中央部)	1	COPPER ALLOY TIN PLATING
⑨	SOLDER PEG (L&R) 溶剤金具 (左、右)	2	COPPER ALLOY TIN PLATING



<P/N composition> <P/N 構成>
10085304 - X X X X X L F



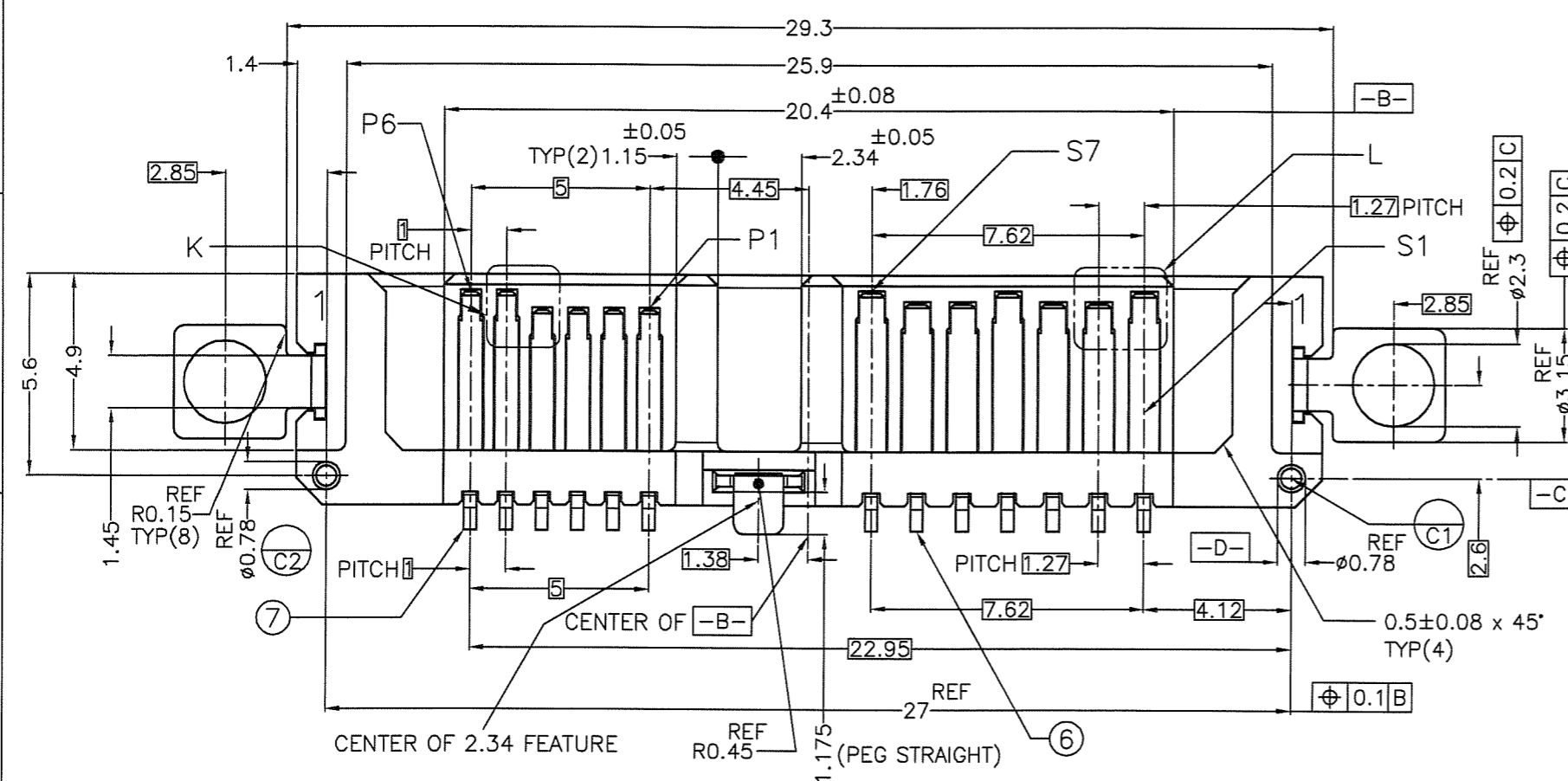
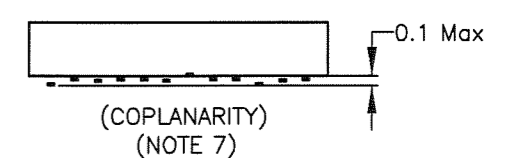
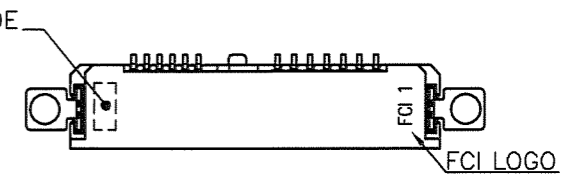
- LEAD-FREE
- PACKAGE SPEC
- E : TAPE AND REEL (EMBOSS ASSY)
- T : TRAY (TRAY ASSY)
- A : CONNECTOR ASSY (NOT PACKAGE)
- CONTACT TAIL LENGTH (DIM C)
 - 0 : 1.0mm
 - 1 : 0.7mm
- SIGNAL CONTACT TAIL WIDTH (DIM B)
 - 0 : 0.35mm
 - 1 : 0.40mm
- HSG BOSS LENGTH (DIM A)
 - 0 : 1.0mm
 - 1 : 0.7mm
- CONTACT PLATING (CONTACT AREA / SOLDERING AREA)
 - 0 : GOLD FLASH (0.05μm) / TIN PLATING
 - 1 : 0.38μm GOLD PLATING / TIN PLATING
 - 2 : 0.76μm GOLD PLATING / TIN PLATING
 - 3 : GOLD FLASH (0.05μm) / GOLD FLASH (0.05μm)
 - 4 : 0.76μm GOLD PLATING / GOLD FLASH (0.05μm)

NOTE

- MATERIAL : SEE TABLE
- FINISH : SEE TABLE AND P/N COMPOSITION TABLE
- COPLANARITY : 0.1 MAX. (CONTACT AND SOLDER PEG)
- DATE CODE MARK : YY/MM/DD/XX XX IS USED TO MARK CONTACT PLATING SPEC.
"05" : FLASH, "15" : 15μ, "30" : 30μ

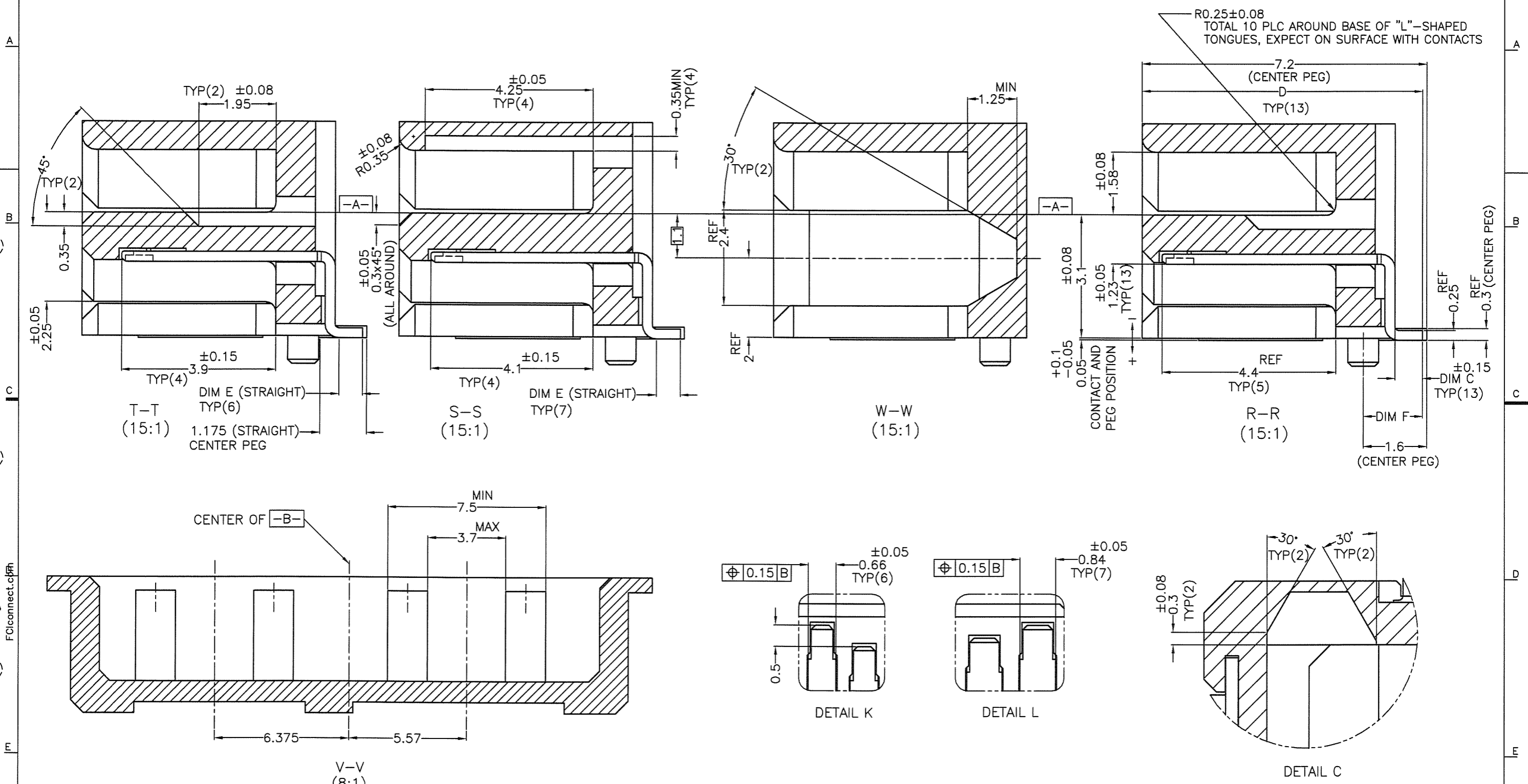
注記

- 材料 : 表参照
- めっき : 表及び型番構成参照
- コプラナリティ : 0.1以下 (端子、金具)
- デートコード刻印 : YY/MM/DD/XX XXはコンタクトのめっきの種類
"05" : FLASH, "15" : 15μ, "30" : 30μ



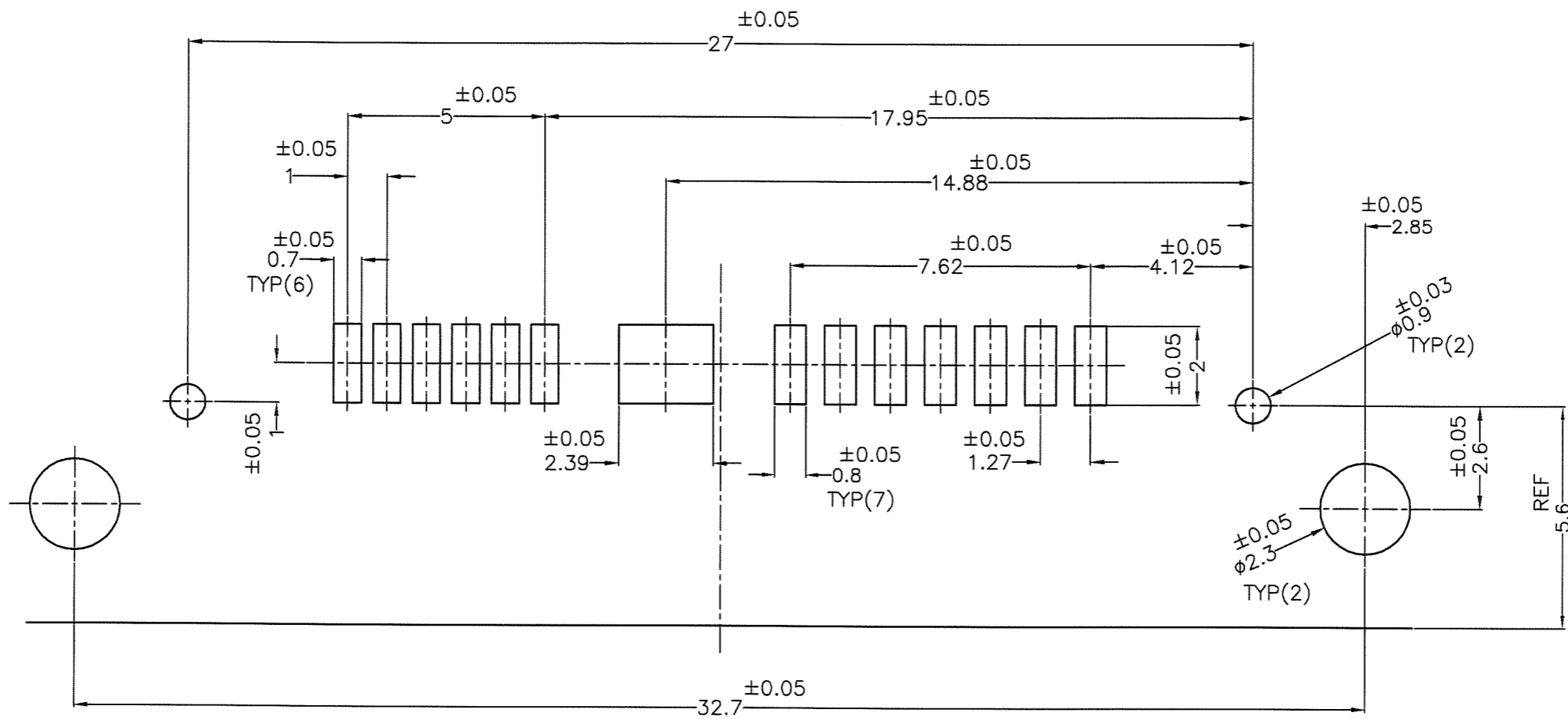
mat'l. code	surface	tolerance	projection	product family	CODE
---	ISO 1302	ISO 406 ISO 1101	mm	530F SATA PLUG SLIM LINE	JP
ltr description	ecn no	dr date	tolerance unless otherwise specified	title	
A RELEASED	J08-0078	N.S 2008-2-28	0.X ±0.2	SLIM LINE SATA 7+6P PLUG	
B REVISED	J08-0130	N.S 2008-3-25	0.XX ±0.2	SCREW(SQUARE), R/A SMT	
C REVISED	J08-0153	N.S 2008-4-3	0.XXX ±0.2		
D REVISED	J08-0211	N.S 2008-5-16	±2'	dwg no	sheet2 of 4 size
E ADDED_ITEM	J08-0442	N.S 2008-11-15	engr	10085304	A2
F REVISED	J09-0087	N.S 2009-3-8	chr		
G REVISED	J09-0134	N.S 2009-4-13	appd		
sheet revision	sheet			type	Rev. G

PRODUCT NO.	CONTACT AREA PLATING	SOLDERING AREA PLATING	HSG BOSS HEIGHT (DIM A)	TAIL WIDTH (DIM B)	TAIL LENGTH (DIM C)	TAIL LENGTH (DIM D)	TAIL LENGTH (DIM E)	TAIL LENGTH (DIM F)
10085304-2001ALF	GOLD 0.76um[30u"] MIN	1.91um [75u"] MIN. 100% TIN	1.0mm	0.35mm	0.7mm	7.1mm	0.6mm	1.5mm
10085304-4001ALF	GOLD 0.76um[30u"] MIN	GOLD FLASH 0.05um[2u"] MIN	1.0mm	0.35mm	0.7mm	7.1mm	0.6mm	1.5mm
10085304-4101ALF	GOLD 0.76um[30u"] MIN	GOLD FLASH 0.05um[2u"] MIN	0.7mm	0.35mm	0.7mm	7.1mm	0.6mm	1.5mm



CONNECTOR ASSY

mat'l. code		surface		tolerance		projection		product family		CODE	
---		ISO 1302		ISO 408		mm		530F SATA PLUG SLIM LINE		JP	
---		tolerances unless otherwise specified		ISO 1101		scale 16:1		title		sheet 3 of 4 size	
A RELEASED		J08-0078		N.S		2008-2-28		SLIM LINE SATA 7+6P PLUG		A2	
B REVISED		J08-0130		N.S		2008-3-25		SCREW(SQUARE), R/A SMT			
C REVISED		J08-0153		N.S		2008-4-3		dwg no		10085304	
D REVISED		J08-0211		N.S		2008-5-18		type		PRODUCT CUSTOMER Drawing	
E ADDED_ITEM		J08-0442		N.S		2008-11-18		Rev.		G	
F REVISED		J09-0087		N.S		2009-3-8		Rev.		G	
G REVISED		J09-0134		N.S		2009-4-13		Rev.		G	



RECOMMENDED PCB PATTERN LAYOUT



Copyright FCI

mat'l. code		surface		tolerance		projection		product family		CODE	
---		ISO 1302		ISO 406 ISO 1101				530F SATA PLUG SLIM LINE		JP	
ltr	description	ecn no	dr	date	tolerance unless otherwise specified	linear	mm	title			
A	RELEASED	J08-0078	N.S	2008-2-28	0.X	±0.2	mm	SLIM LINE SATA 7+6P PLUG			
B	REVISED	J08-0130	N.S	2008-3-25	angles	0.XX	±0.2	SCREW(SQUARE), R/A SMT			
C	REVISED	J08-0153	N.S	2008-4-3	±2"	0.XXX	±0.2	scale 10:1			
D	REVISED	J08-0211	N.S	2008-5-16	dr	N.SASAME	2008-4-13	dwg no		sheet 4 of 4 size	
E	ADDED_ITEM	J08-0442	N.S	2008-11-18	enfr	N.SASAME	2009-4-13	10085304		A2	
F	REVISED	J08-0087	N.S	2008-3-8	chr	2008-4-13		type		PRODUCT CUSTOMER Drawing	
G	REVISED	J08-0134	N.S	2008-4-13	appd	2008-4-13		Rev.		G	
sheet	revision										
index	sheet										