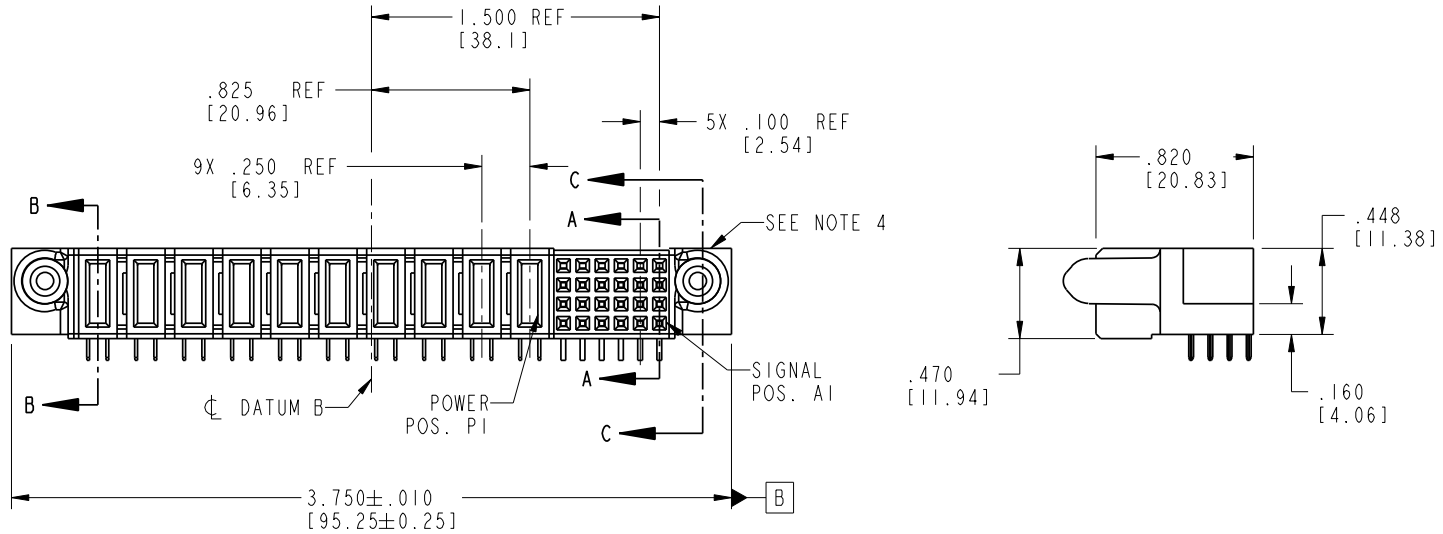
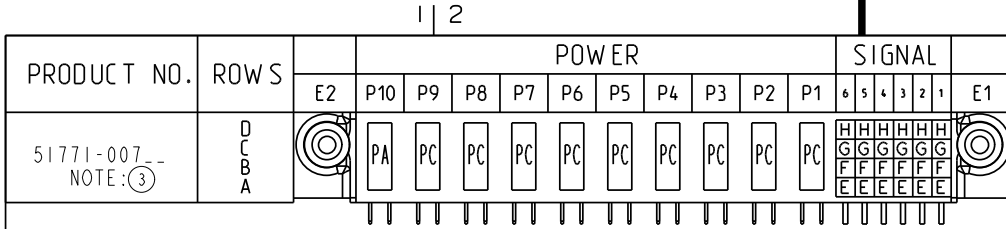


Tous droits strictement réservés. Reproduction ou communication o des liers interdite sous quelque forme que ce soit sans autorisation écrite du propriétaire. Propriete de c FCI. Droits de reproduction FCI.

All rights strictly reserved. Reproduction or issue to third parties in any form whatever is not permitted without written authority from the proprietor. Property of FCI. Copyright FCI.

FCI



CODE	DIM "M" MATING LENGTH	CONTACT TYPE
PC	.092 [2.34]	POWER
H	N/A [N/A]	SIGNAL
G	N/A [N/A]	SIGNAL
F	N/A [N/A]	SIGNAL
E	N/A [N/A]	SIGNAL
PA	.042 [1.07]	POWER

mat'l code SEE NOTE 2				tolerances unless otherwise specified		CUSTOMER		FCI www.fciconnect.com	
lir	ecn no.	dr	date	linear	.XX±.01/0.X±0.3	COPY		title 24S + 10P	
A	DG05-0408	JMG	10/21/05		.XX±.005/0.XX±0.13	projection		R/A STB RECEPTACLE	
B	DG06-0094	JMG	03/06/06	angles	.XXX±.0020/0.XXX±0.051			product family PwrBlade code 213	
				dr	JM GUO 10/21/05	INCH/MM		size dwg no	
				enrg	Sally.Luo 10/31/05	scale		A 51771-007	
				chr	VICTOR LIN 10/21/05	1:1		sheet 1 of 4	
				appd	JOSEPH HSIA 10/21/05				
sheet index	revision sheet	B 1	B 2	B 3	B 4				

1 | 2

Pro/E

PDM: Rev: B

STAT **US: Released**

Printed: Dec 20, 2010

Tous droits strictement réservés. Reproduction ou communication o des liers interdite sous quelque forme que ce soit sans autorisation écrite du propriétaire. Propriete de c FCI. Droits de reproduction FCI.

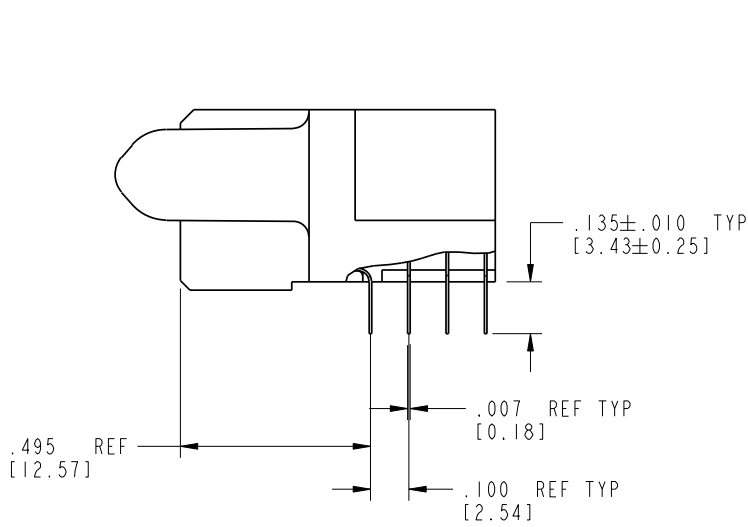
All rights strictly reserved. Reproduction or issue to third parties in any form whatever is not permitted without written authority from the proprietor. Property of FCI. Copyright FCI.

FCI

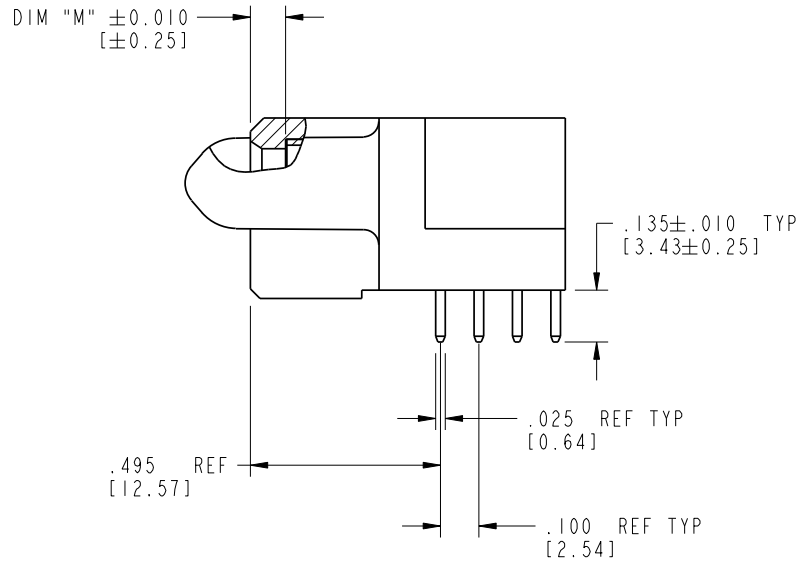
PRODUCT NUMBER

51771-007--

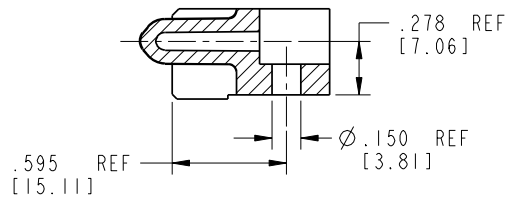
NOTE: ③



BROKEN-OUT SECTION A-A
SCALE 2:1



BROKEN-OUT SECTION B-B
SCALE 2:1



SECTION C-C

mat'l code		SEE NOTE 2		tolerances unless otherwise specified		CUSTOMER		FCI		www.fciconnect.com	
lir	ecn no.	dr	date	linear	.XX±.01/0.X±0.3	projection	title	24S + 10P		code	
B					.XX±.005/0.XX±0.13	INCH/MM	R/A	STB RECEPTACLE		213	
				angles	.XXX±.0020/0.XXX±0.051	scale	product family		PwrBlade		sheet
				dr	0°±2°	1:1	size		51771-007		2 of 4
				enr	JM GUO 10/21/05		dwg no				
				chr	Sally.Luo 10/31/05		A				
				appd	VICTOR LIN 10/21/05						
					JOSEPH HSIA 10/21/05						
sheet index	revision sheet										

Pro/E

PDM: Rev: B

STAT **Released**

Printed: Dec 20, 2010

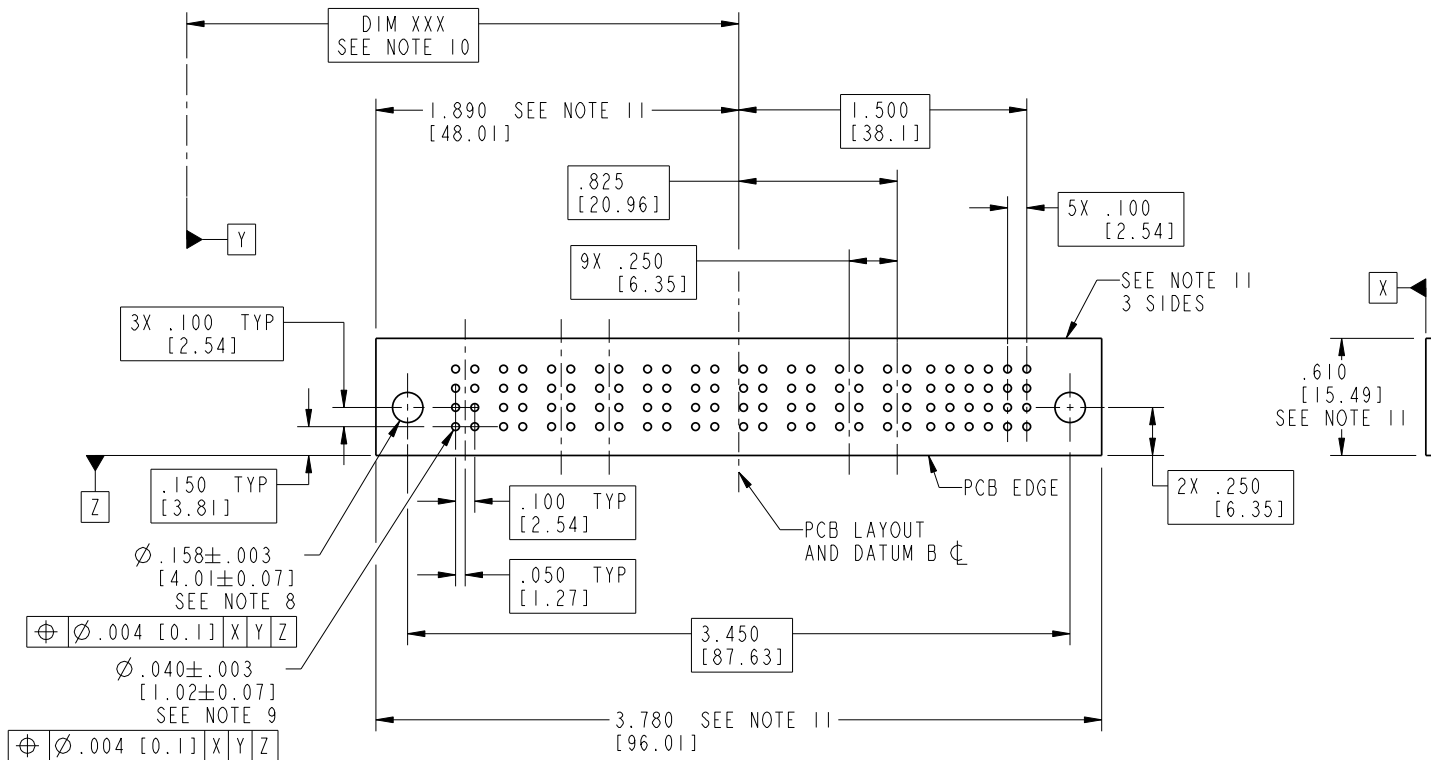
Tous droits strictement réservés. Reproduction ou communication o des liers interdite sous quelque forme que ce soit sans autorisation écrite du propriétaire. Propriété de c FCI. Droits de reproduction FCI.

All rights strictly reserved. Reproduction or issue to third parties in any form whatever is not permitted without written authority from the proprietor. Property of FCI. Copyright FCI.



PRODUCT NUMBER

51771-007--
NOTE: ③



mat'l code		SEE NOTE 2		tolerances unless otherwise specified		CUSTOMER		 www.fciconnect.com	
lir	ecn no.	dr	date	linear	.XX±.01/0.X±0.3	COPY		title	
B				linear	.XX±.005/0.XX±0.13	projection		24S + 10P	
				angles	.XXX±.0020/0.XXX±0.051			R/A STB RECEPTACLE	
				dr	JM GUO 10/21/05	INCH/MM		product family	
				enr	Sally.Luo 10/31/05	scale		PwrBlade	
				chr	VICTOR LIN 10/21/05	1:1		code	
				appd	JOSEPH HSIA 10/21/05			213	
sheet index		revision sheet						size	
								A 51771-007	
								sheet	
								3 of 4	

Pro/E

PDM: Rev: B

STAT: Released

Printed: Dec 20, 2010

PRODUCT NUMBER


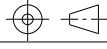
51771-007--
NOTE: (3)

NOTES:

- 1. DIMENSIONS AND TOLERANCES ARE IN ACCORDANCE WITH ASME Y14.5M, 1994 UNLESS OTHERWISE SPECIFIED.
- 2. CONNECTOR NOTES:
HOUSING MATERIAL: UL 94 V-0 GLASS FILLED HIGH-TEMP THERMOPLASTIC
POWER CONTACT MATERIAL: COPPER ALLOY
SIGNAL PIN MATERIAL: COPPER ALLOY
- 3. 51771-007;51771-007LF;51771-007GLF PLATING SPEC. SEE PRINT:10064183
- 4. MANUFACTURER'S NAME, P/N, AND DATE CODE TO APPEAR ON THIS SURFACE.
- 5. PRODUCT SPECIFICATION GS-12-149.
APPLICATION SPECIFICATION BUS-20-067.
- 6. PACKAGED IN TRAYS.

PCB NOTES:

- 7. ALL HOLE DIAMETERS ARE FINISHED HOLE SIZE.
- 8. MOUNTING HOLES, WHERE APPLICABLE, ARE UNPLATED.
- 9. $\varnothing .0453 \pm .0010$ [1.151 \pm 0.025] DRILLED HOLES PLATED WITH .0003 [0.008] MIN SnPb OVER .001 [0.03] TO .003 [0.08] Cu PLATING TO ACHIEVE $\varnothing .040 \pm .003$ [1.02 \pm .07] HOLE.
- 10. "DIM XXX" TO BE DETERMINED BY THE CUSTOMER.
- 11. CONNECTOR KEEP-OUT ZONE.

mat'l code		SEE NOTE 2		tolerances unless otherwise specified		CUSTOMER		 www.fciconnect.com			
lir	ecn no.	dr	date	linear	.XX±.01/0.X±0.3		projection	COPY			
B					.XXX±.005/0.XX±0.13			title			
				angles	.XXX±.0020/0.XXX±0.051		 INCH/MM	R/A 24S + 10P			
					$0^{\circ} \pm 2^{\circ}$			product family		code	
				dr	JM GUO	10/21/05	scale	PwrBlade			
				enr	Sally.Luo	10/31/05		1:1	size	213	
				chr	VICTOR LIN	10/21/05			A	dwg no	sheet
				appd	JOSEPH HSIA	10/21/05				51771-007	
sheet index	revision sheet										

Tous droits strictement réservés. Reproduction ou communication a des tiers interdite sous quelque forme que ce soit sans autorisation écrite du propriétaire. Propriété de c FCI. Droits de reproduction FCI.

FCI

All rights strictly reserved. Reproduction or issue to third parties in any form whatever is not permitted without written authority from the proprietor. Property of FCI. Copyright FCI.

A

A

B

B