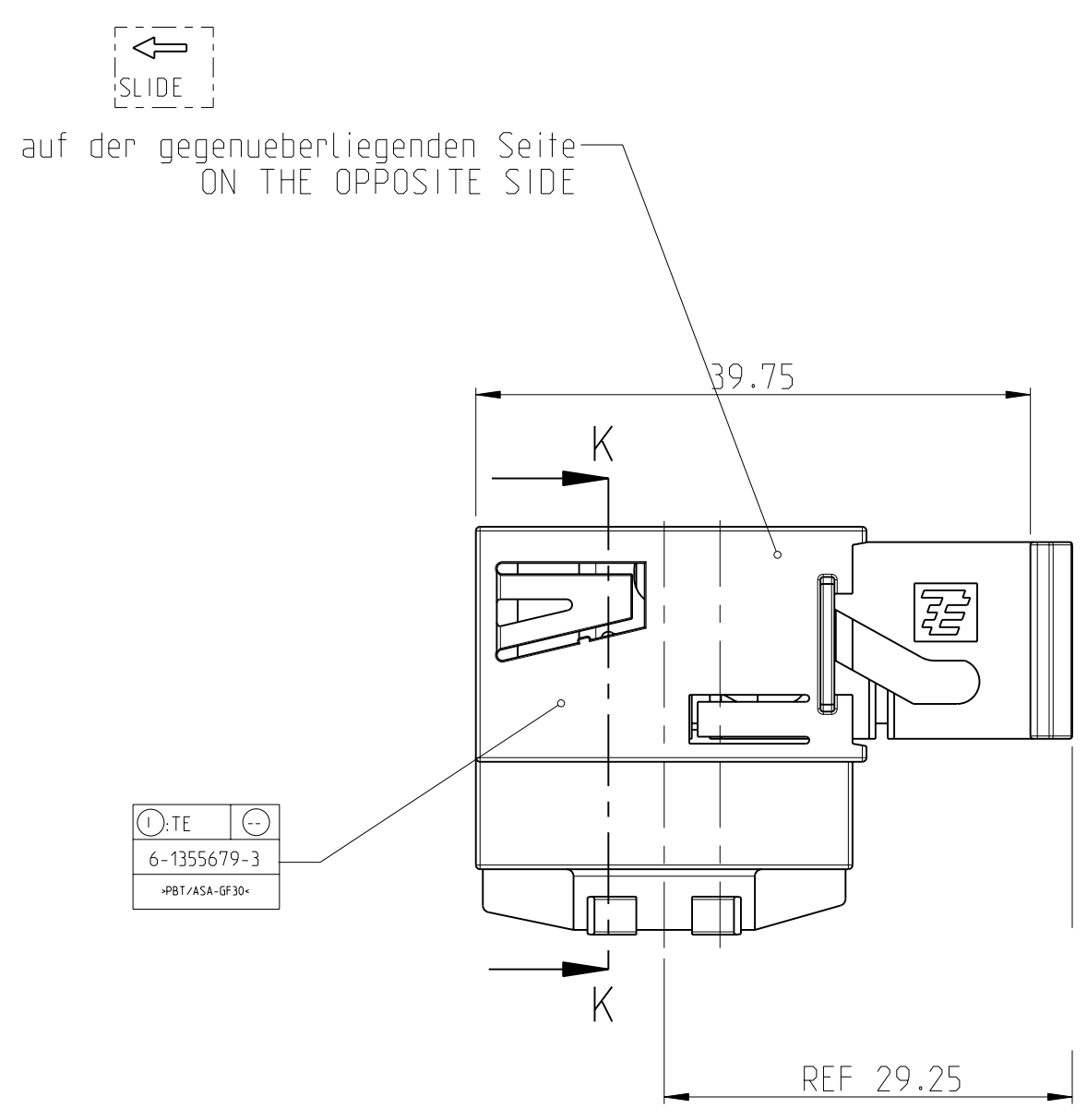
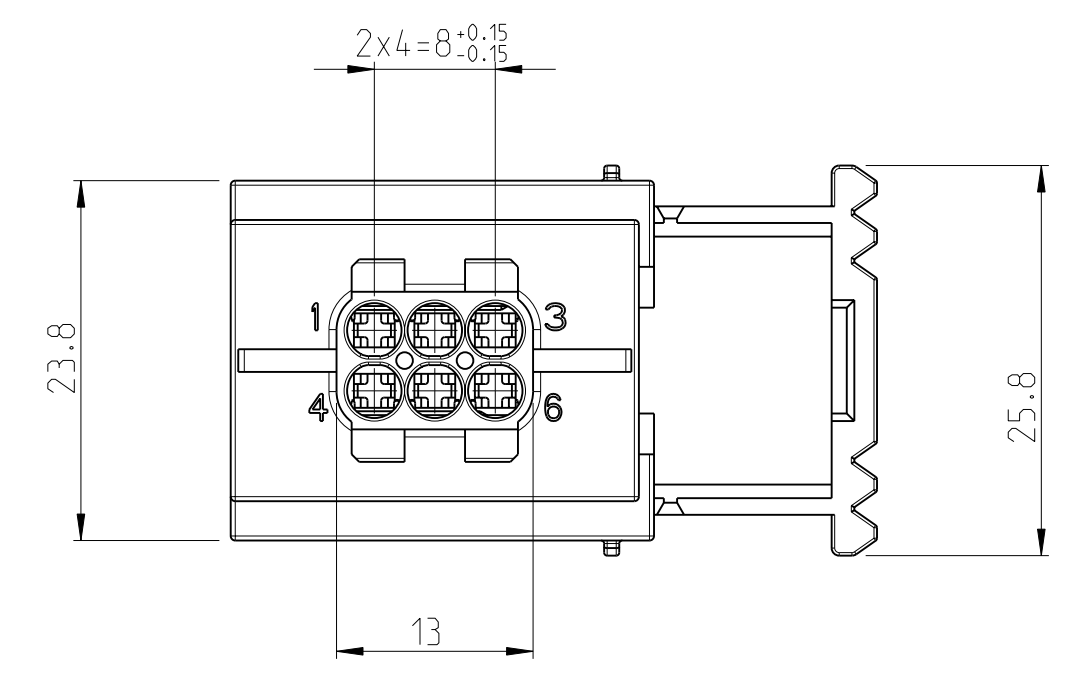
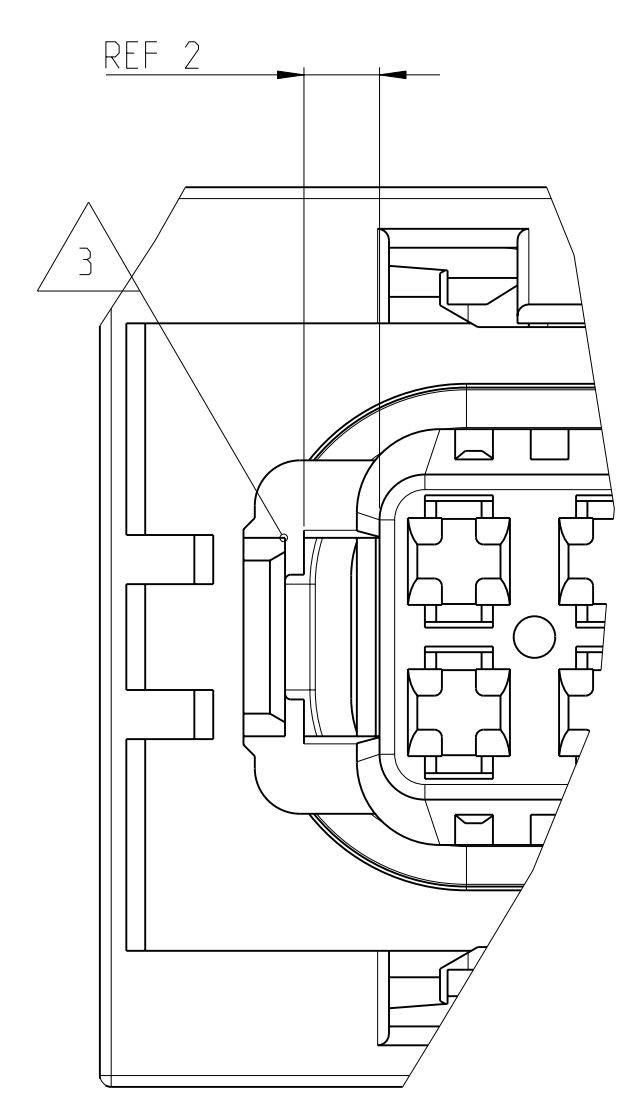
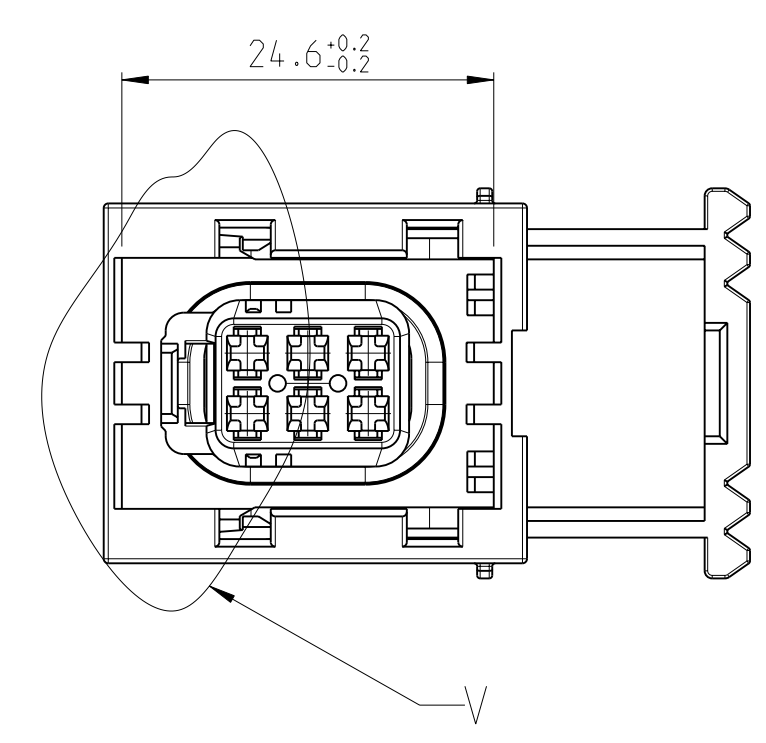
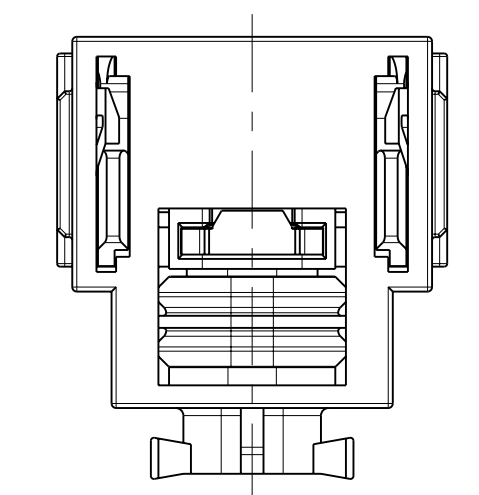
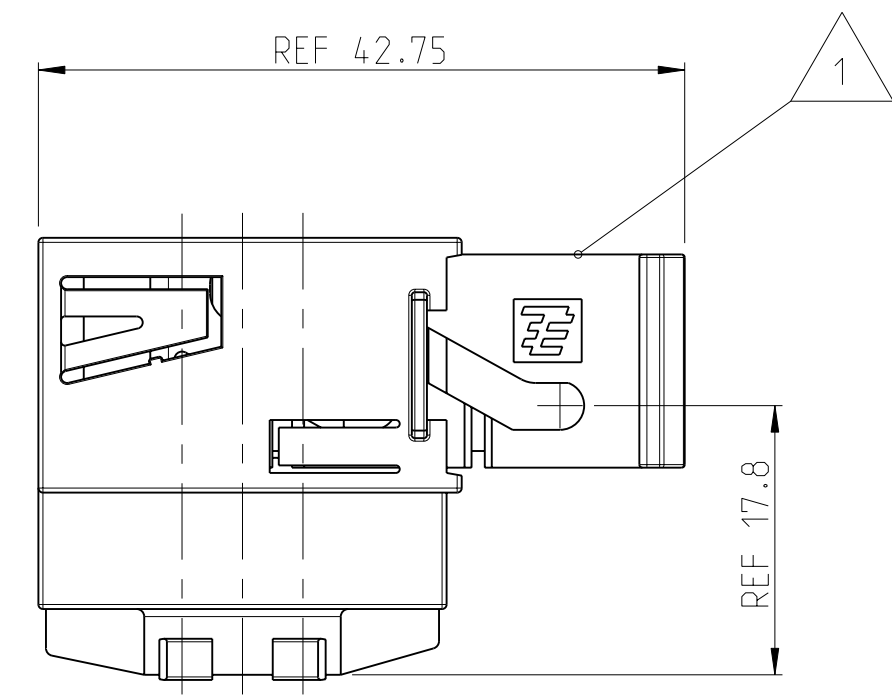
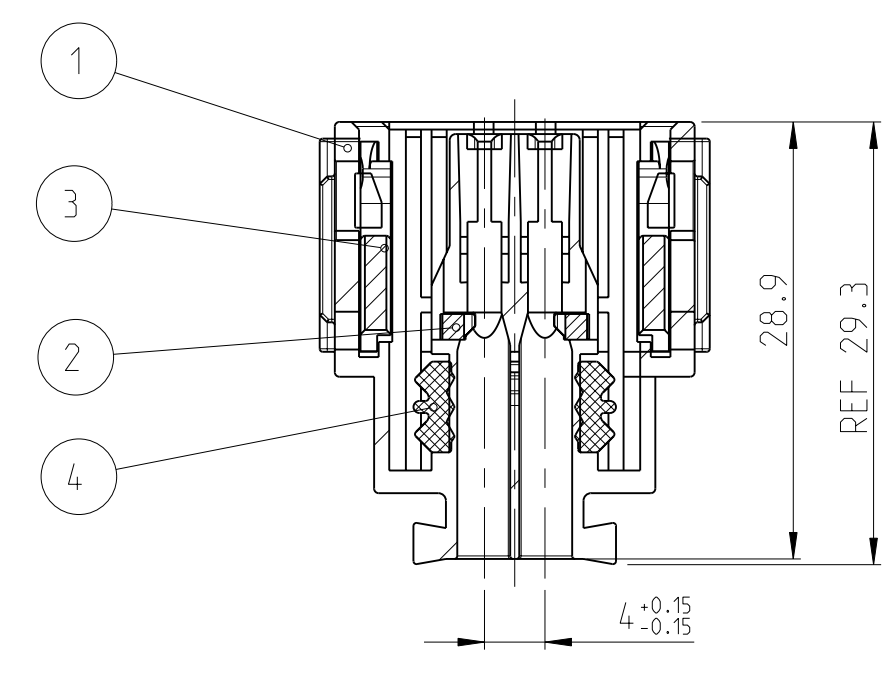


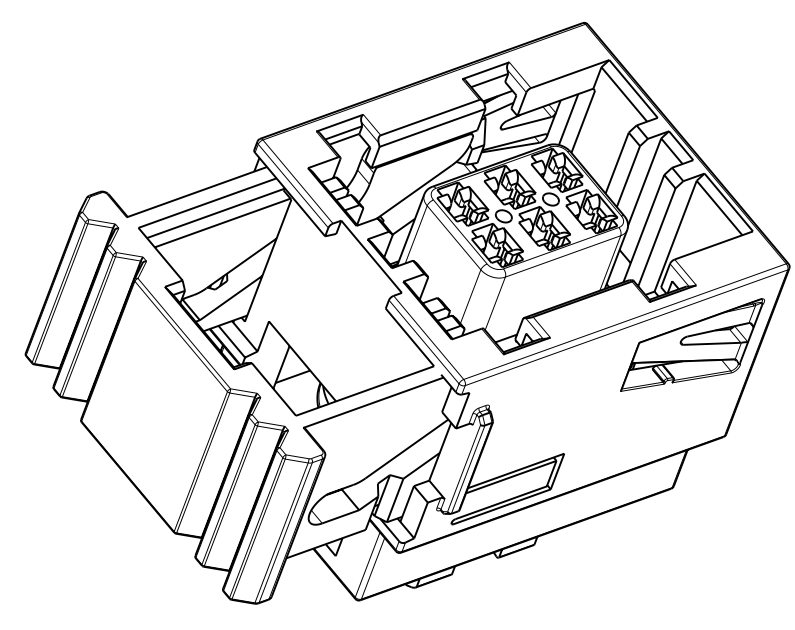
LOC	DIST	REV	DATE	BY	APP
A1	-	B	30AUG2010	-	-



Schnitt K-K
SECTION



V
5:1



Kodierung F1 wie gezeichnet
CODING F1 AS SHOWN
schwarz / BLACK

Bemerkungen
NOTES

- 1 Anlieferungszustand Schieber offen
DELIVERING SLIDE IN PRELOCKED OPEN POSITION
- 2 Anschlußbauteil siehe Spezifikation 114-18339
MATING PART SEE SPEC. 114-18339
- 3 Anlieferungszustand zweite Kontaktsicherung offen
SECONDARY LOCK IN OPEN POSITION FOR DELIVERY

ORDER-NO.	REV. ASSY.	PCS.	POS.	NAME SINGLE PART	MATERIAL	SURFACE COLOUR
6-1355683-3	B	1	4	SEALING FOR 6 POS. MT3 HSG.	SILICON	ORANGE
		1	3	SLIDE FOR 6 POS. MT3 HSG.	PBT-GF15	RED
		1	2	RETAINER FOR 6 POS. MT3 HSG.	PBT-GF15	GREY
		1	1	MT3-REC.-HOUSING, 6 POS.. COD F1	PBT/ASA-GF30	BLACK

DIMENSIONS: mm		TOLERANCES UNLESS OTHERWISE SPECIFIED:		DWN F. Ullrich 30AUG2010 CHK R. Hecker 07SEP2010 APVD -	Tyco Electronics AMP GmbH 64625 Bensheim (Germany)
0 PLC ±0.3 1 PLC ±0.3 2 PLC ± 3 PLC ± 4 PLC ± ANGLES ±1°		PRODUCT SPEC 108-18664 APPLICATION SPEC 114-18308		NAME MT3-REC. HOUSING, 6 POS. SIZE CAGE CODE DRAWING NO. RESTRICTED TO A1 00779 C=1355683	
MATERIAL -		FINISH -		WEIGHT -	
CUSTOMER DRAW ING		SCALE 2:1		SHEET 1 OF 1 REV B	