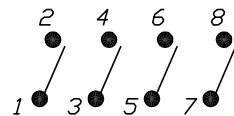
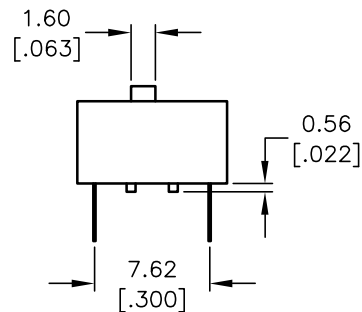
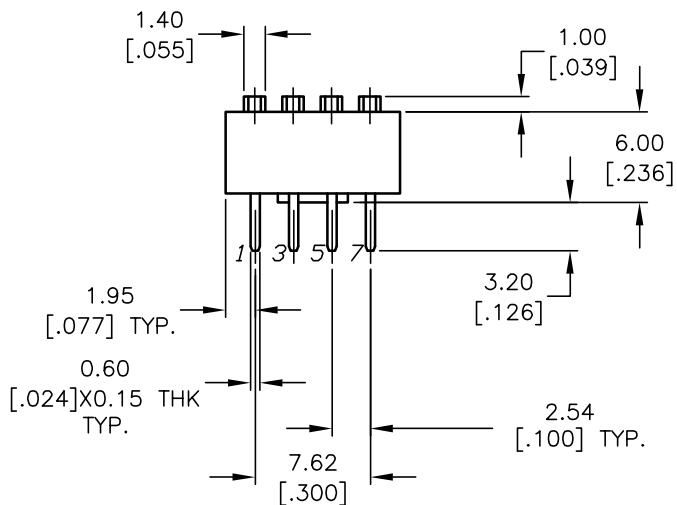
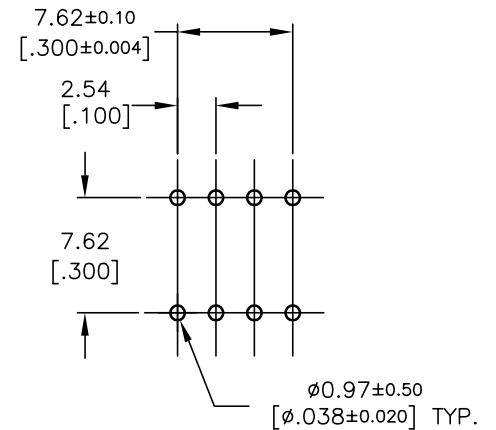


POS. 1 DESIGNATE  
PIN #1 LOCATION



CONTACT CONFIGURATION

\* (Pos. 1 Denotes Pin No. 1)



RECOMMEND P.C.B. LAYOUT

NOTES:

1. ALL DIMENSIONS IN MM [INCH]
2. GENERAL TOLERANCE: X.X=±0.4  
X.XX=±0.25
3. TERM. NOS. FOR REFERENCE ONLY.
- ▲ 4. TOP TAPE SEAL FOR FLUX WASH.
- ▲ 5. SWITCHES SUPPLIED IN DISPENSING TUBES  
WITH ALL POLES IN THE "OFF" POSITION.
6. ▲ DENOTES CRITICAL PARAMETER.

**E-SWITCH®**

TITLE					KAS1104ET				
A	13446	RELEASED FOR PRODUCTION	9/15/03	AR	SCALE	DATE	DR	DWG	REV
REV.	ECN No.	DESCRIPTION	DATE	CHKD	2:1	9/15/03	AR	N211041	A
<p style="text-align: center; font-size: small;">THE INFORMATION CONTAINED IN THIS DOCUMENT IS PROPRIETARY TO E-SWITCH AND IS NOT TO BE COPIED OR TRANSFERRED</p>									