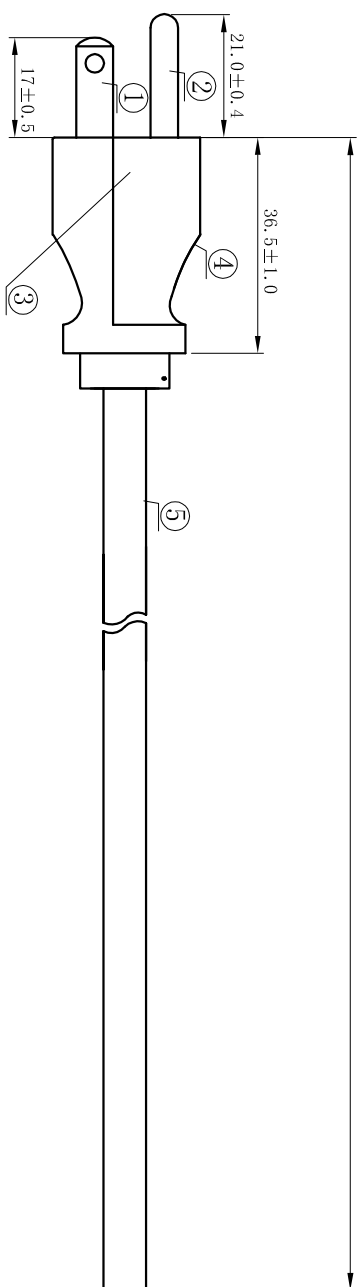
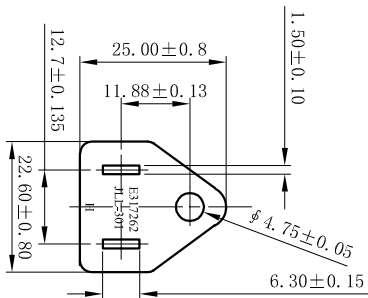


CnC Tech, LLC

Industrial Cable and Connector Technology

Engineer drawing

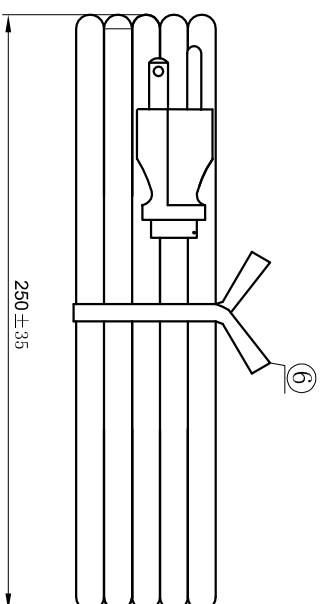
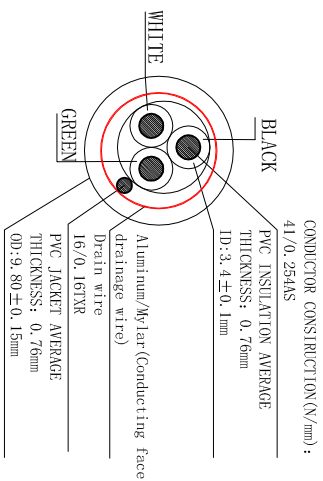
PART NO.	JLL-301	WIRE	SCALE	1 : 1
DESCRIPTION	SJT#14*3C 105C SHIELDED		UNIT:	mm
DWG No.	800-1401-2-SJT0-BL-00100			



1000±30

NOTES:

- 1) JACKET COLOR: BLACK
 - 2). E-GREEN ; L-BLACK ; N-WHITE
- TESTING:
- 1) 100% OPEN & SHORT TESTING
 - 2) INSULATION RESISTANCE: 100M ohm (min)
 - 3) VOLTAGE: DC500V/1min
 - 4) ROHS COMPLIANT



Printing the contents of wire The use of printing ink replenish Wire

E243211 (UL) SJT 3X14AWG(2.08mm²) VW-1 SHIELDED 105°C 300V CSA 228191 S
J1 3X14AWG(2.08mm²) F72 SHIELDED 105°C 300V -E-

NO.	SPECIFICATION	COLOUR	MATERIAL	AMOUNT
①	Load terminals 98861	Silver	Cu	2P
②	Grounding terminal 97475	Silver	Cu	1P
③	Model aircraft 8661AW-3P	WHITE	PBT	1PCS
④	Plug JLL-301	BLACK	PVC Cu	1PCS
⑤	Wire SJT 14AWG/3C 105°C	BLACK	PVC Cu	1PCS
⑥	Ties	BLACK		1PCS

REV	DATE	DESCRIPTION	SYMBOL
DRAWN/DATE	CHECKED/DATE	GONG/11.05.17	
CAI/10.11.04			