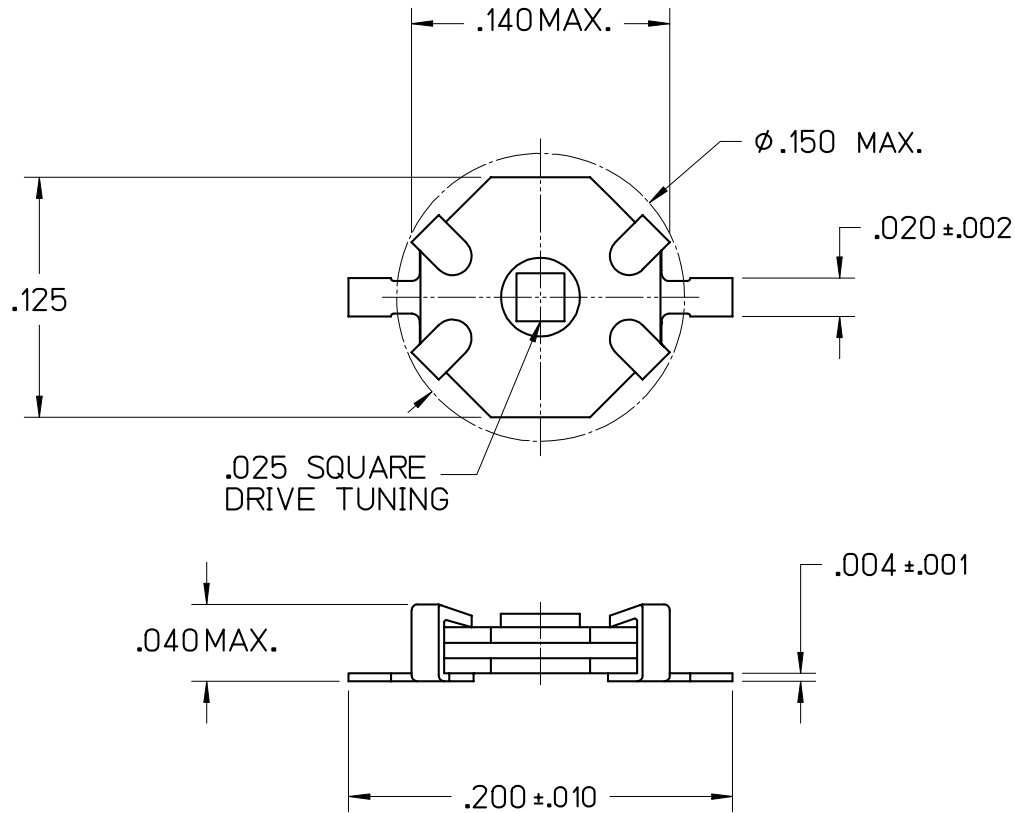


JMC PART NO.	CAPACITY RANGE	Q @ 100MHz
9701-0SL-1	0.25pF TO 0.7pF	>1000
9701-1SL-1	0.5pF TO 1.3pF	>1000
9701-2SL-1	0.6pF TO 2.0pF	>1000
9701-4SL-1	1.5pF TO 4.0pF	>500



MI DRG. NO. 9701-#SL-1B REV.

**9701-#SL-1 B**

**THIN-TRIM® CAPACITOR**  
(U.S. PATENT NO. 3,701,932)

SPECIFICATIONS		FILE: THINOUT
CAPACITY RANGE	SEE TABLE	
WORKING VOLTAGE	250 VDC (TEST VOLTAGE 500 VDC)	
Q @ 100 MHz	SEE TABLE	
INSULATION RESISTANCE	$> 10^4$ MEGOHMS	
TEMPERATURE RANGE	-55°C TO +125°C	
TORQUE	0.05 TO 0.5 OZ. IN.	
MOISTURE RESISTANCE	MIL-STD-202, METHOD 106	
SHOCK	100 g @ 6 ms	
VIBRATION	15 g @ 10-2000 Hz	
SETTING DRIFT	< 1%	
CERAMIC DIELECTRIC STRUCTURE		
GOLD FINISH TERMINALS		
RoHS COMPLIANT		

B	12/06/06	MLD	MAI	MAI	000475
A	04/04/06	MLD	-	-	000375
LEVEL	DATE	DRN.	CHK.	APP.	ECN

REVISIONS

DRN.	CHK.	APP.	SCALE
MLD	MAI	MAI	10" = 1"
DATE	DATE	DATE	.XX $\pm$ .015
04/04/06	04/07/06	04/07/06	.XXX $\pm$ .005



**JOHANSON MANUFACTURING CORPORATION**  
ROCKAWAY VALLEY ROAD, BOONTON, N.J. 07005 (973)334-2676 FAX (973)334-2954  
ELECTRONIC ACCURACY THROUGH MECHANICAL PRECISION

PROPRIETARY INFORMATION CONTAINED NOT TO BE USED WITHOUT JOHANSON MANUFACTURING CORPORATION APPROVAL