

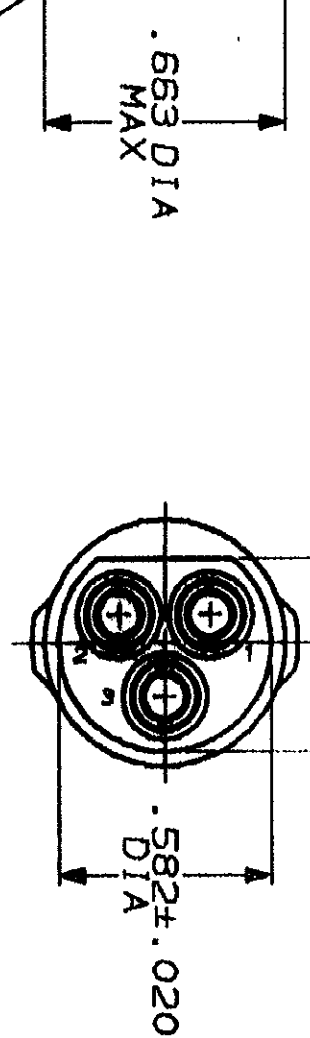
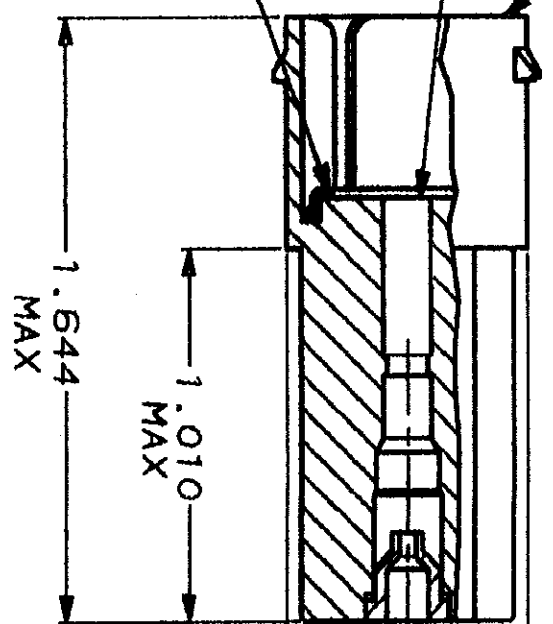
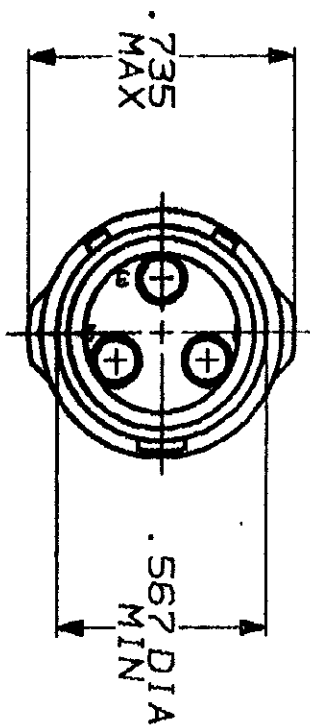
THIS DRAWING IS UNPUBLISHED. RELEASED FOR PUBLICATION

© COPYRIGHT 19 BY AMP INCORPORATED. ALL INTERNATIONAL RIGHTS RESERVED.

MOD 23
LOC BD
DIST 39

| REVISIONS | DESCRIPTION | DATE | APPD |
|-----------|--------------------------------|---------|------|
| ✓ | REDRAWN AND REV PER ECN BD4183 | 7/31/80 | KD |

HOUSING MATERIAL: THERMOPLASTIC
COLOR: BLACK



INTERFACIAL SEAL, MATERIAL: ELASTOMER
COLOR: BLACK

DISCRETE WIRE SEAL, MATERIAL: ELASTOMER
COLOR: BLACK

- 1 WIRE INSULATION SEALING RANGE: .130-.070 DIA.
- 2 THIN MEMBRANE PERMISSIBLE ON SMALL DIAMETER OF WIRE SEALS.

207563-1
PART NO

DO NOT SCALE PRINT.
DIMENSIONS SPECIFIED
DIMENSIONS IN INCHES
TOLERANCES (UNLESS OTHERWISE SPECIFIED)
1 FIC DEC ± .005
2 FIC DEC ± .002
3 FIC DEC ± .001
ANGLES
MATERIAL
SEE CALLOUT

DR 7/31/80
A. STUBB 86
AMP INCORPORATED
Harrisburg, Pa. 17105
RECEPTACLE, 3 POSITION, STD.
CIRCULAR SEALED CONNECTOR

| | | | | | |
|--------|-------------------|-------|------|---------|------------|
| FINISH | APPLICATION SPEED | SCALE | SIZE | FORM NO | DRAWING NO |
| - | - | B | B | 00779 | 207563 |
| WEIGHT | | SHEET | | | 1 OF 1 |