



On when  
it counts.



## Application

- Main power indication
- Remote power indication
- Status indication
- Maintenance and warning indication
- Instrumentation

...and many more!

## Certifications & Ratings

- RoHS compliant

## Features & Benefits

- Low power consumption - uses up to 90% less energy than an incandescent indicator
- No heat generated
- Long life, lasting up to 100K hours
- Colors include red, green, orange, and blue
- Front panel mounting

### Mechanical Information:

<b>Mounting hole size:</b>	0.650" (16.5mm)
<b>Max panel thickness:</b>	0.236" (6.3mm)
<b>Mounting torque:</b>	0.217 lbs/ft (3 kg/cm)

### Electrical Specifications:

<b>Operating voltage:</b>	6, 12 & 24VDC (no resistor required)
<b>Operating temperature:</b>	-4°F to +167°F (-20°C to +75°C)
<b>Storage temperature:</b>	-40°F to +212°F (-40°C to +100°C)
<b>Electrical connection:</b>	Solder terminals

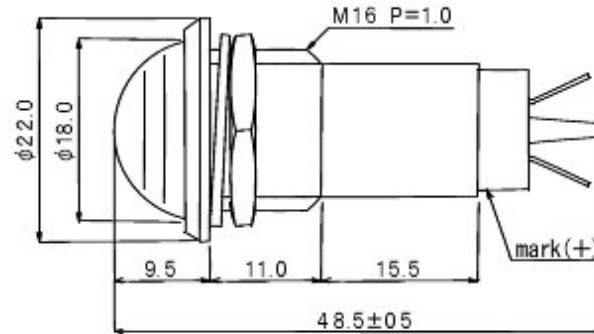
### Construction:

<b>Housing:</b>	Polycarbonate
-----------------	---------------

All values typical unless otherwise stated



## Panel Mount Indicator Dimensions



Dimensions are in mm

Part Number	Color	Voltage (VDC)	Current (mA)	Typical Intensity (mcd)
686-1132-121F	RED	6	20	660
686-1232-122F	GREEN	6	20	8150
686-1332-123F	ORANGE	6	20	500
686-1432-124F	BLUE	6	20	240
686-1132-131F	RED	12	20	660
686-1232-132F	GREEN	12	20	8150
686-1332-133F	ORANGE	12	20	500
686-1432-134F	BLUE	12	20	240
686-1132-141F	RED	24	20	660
686-1232-142F	GREEN	24	20	8150
686-1332-143F	ORANGE	24	20	500
686-1432-144F	BLUE	24	20	240

Dialight reserves the right to make changes at any time in order to supply the best product possible. The most current version of this document will always be available at: [www.dialight.com/Assets/Brochures\\_And\\_Catalogs/Illumination/MDEL686CR.pdf](http://www.dialight.com/Assets/Brochures_And_Catalogs/Illumination/MDEL686CR.pdf)

Warranty Statement: EXCEPT FOR THE WARRANTY EXPRESSLY PROVIDED FOR [HEREIN/ABOVE/BELOW], DIALIGHT DISCLAIMS ANY AND ALL OTHER WARRANTIES, EXPRESS OR IMPLIED, INCLUDING, WITHOUT LIMITATION, ANY WARRANTIES OF MERCHANTABILITY, FITNESS FOR A PARTICULAR PURPOSE, TITLE, AND NON-INFRINGEMENT.