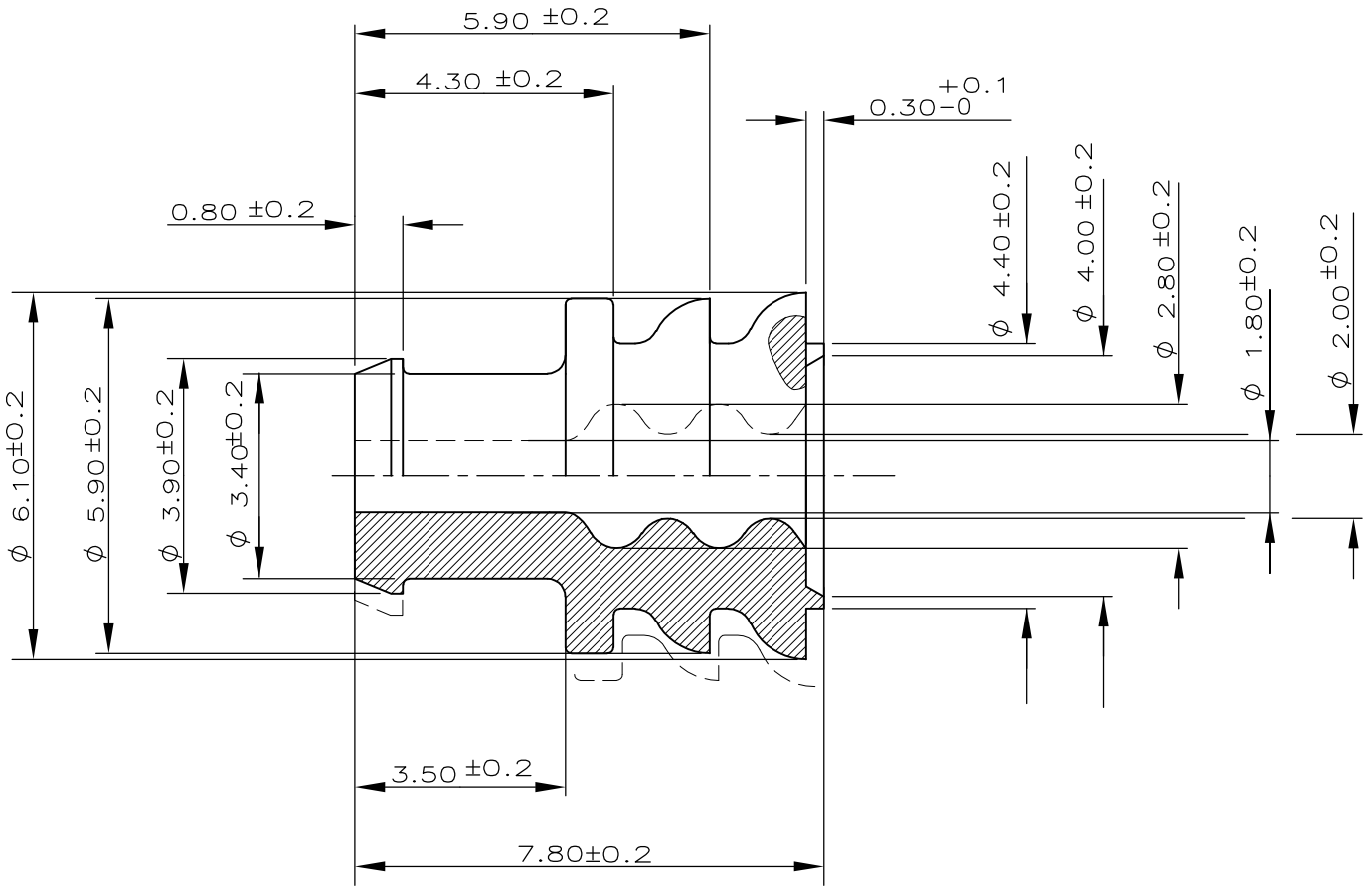


LOC I	DIST —	REVISIONS			
P	LTR	DESCRIPTION	DATE	DWN	APVD
	H1	REVISED PER ECO-11-005033	02APR11	RK	HMR



RELEASED FOR PUBLICATION

ALL RIGHTS RESERVED.

THIS DRAWING IS UNPUBLISHED.

By -
COPYRIGHT -

METRIC

DIAM. ISOLANTE
(INS. DIA. RANGE)
2.5-3.3mm

RANGO FILO
(WIRE RANGE)

ROSSO-RED

GOMMA AL SILICONE
SILICONE RUBBER

281934-3

FINITURA / COLORE
(FINISH / COLOUR)

MATERIALE
(MATERIAL)

NUMERO
(PART NUMBER)

CUSTOMER DWG.
FOR REFERENCE ONLY

DISEGNO PER CLIENTE
SOLO PER RIFERIMENTO

DIMENSIONS:
mm

DWN
C.BERTINI 10-89

MATERIAL - FINISH -

CHK
A.BRUNI 10-89

APVD
-

PRODUCT SPEC
-

APPLICATION SPEC
-

WEIGHT -

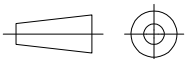
TE TE Connectivity

NAME
WIRE SEAL

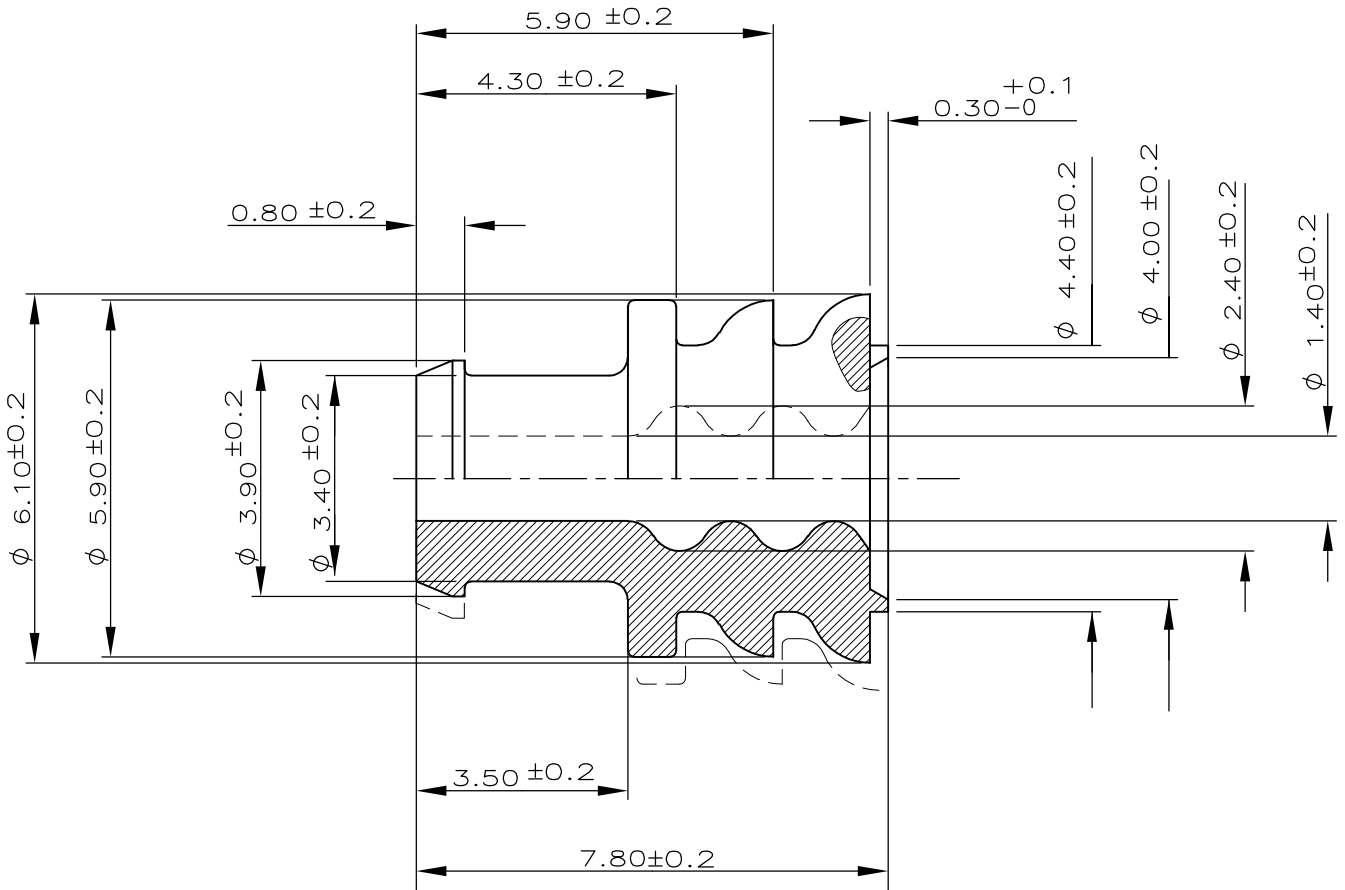
SIZE A4 CAGE CODE 00779 DRAWING NO C-281934 RESTRICTED TO -

CUSTOMER DRAWING SCALE - SHEET 1 OF 3 REV H1

- TOLERANCES UNLESS OTHERWISE SPECIFIED:
- 0 PLC ± -
 - 1 PLC ± 0.3
 - 2 PLC ± -
 - 3 PLC ± -
 - 4 PLC ± -
 - ANGLES ± 2°



LOC I	DIST —	REVISIONS			
P	LTR	DESCRIPTION	DATE	DWN	APVD
	—	SEE SHEET 1	—	—	—



RELEASED FOR PUBLICATION

ALL RIGHTS RESERVED.

THIS DRAWING IS UNPUBLISHED.

By —
COPYRIGHT —

METRIC

DIAM. ISOLANTE
(INS. DIA. RANGE)
1.7–2.4mm

RANGO FILO
(WIRE RANGE)

GIALLO—YELLOW

GOMMA AL SILICONE
SILICONE RUBBER

281934–2

FINITURA / COLORE
(FINISH / COLOUR)

MATERIALE
(MATERIAL)

NUMERO
(PART NUMBER)

CUSTOMER DWG.
FOR REFERENCE ONLY

DISEGNO PER CLIENTE
SOLO PER RIFERIMENTO

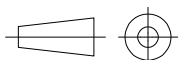
DIMENSIONS:

mm

TOLERANCES UNLESS
OTHERWISE SPECIFIED:

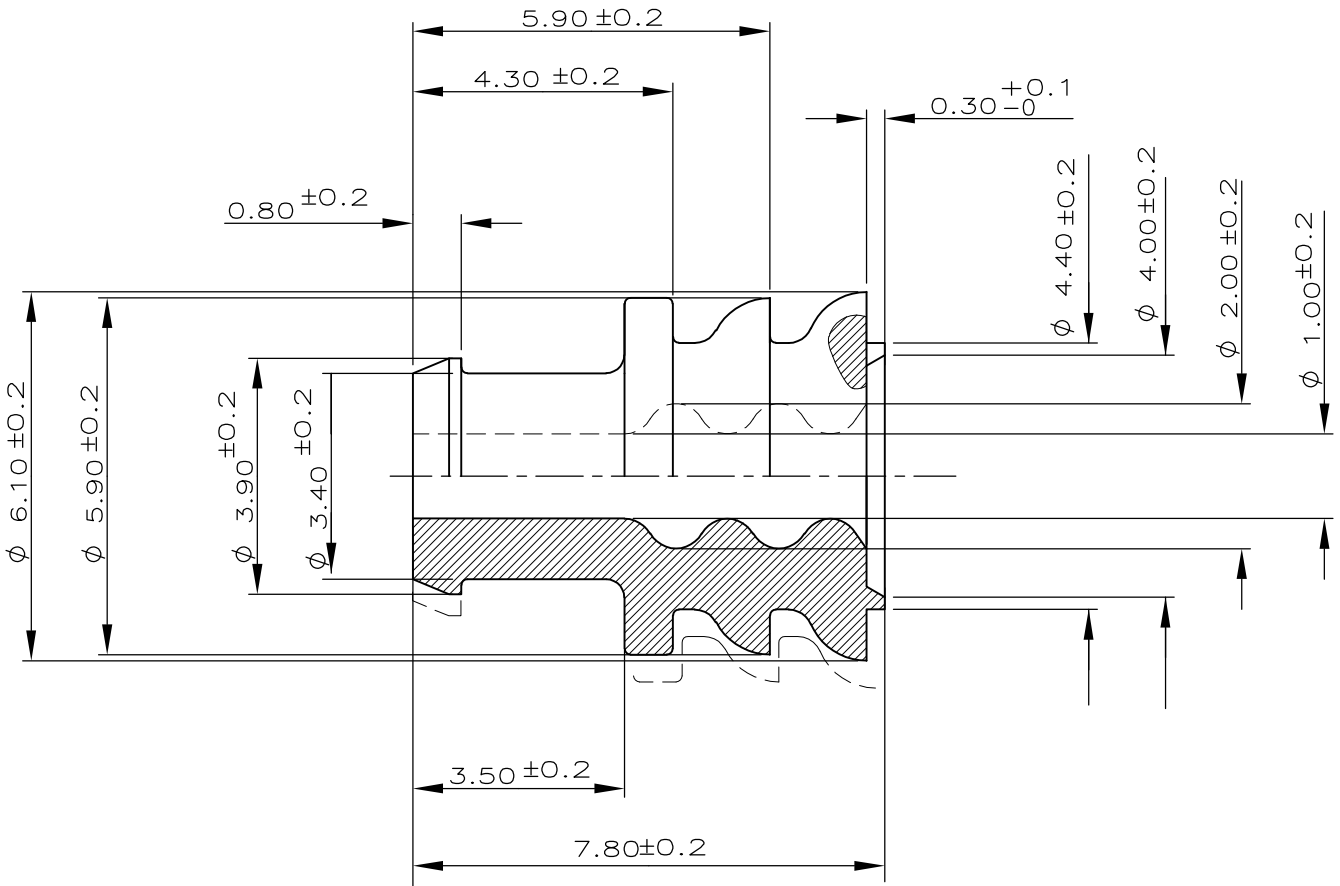
- 0 PLC ± —
- 1 PLC ± 0.3
- 2 PLC ± —
- 3 PLC ± —
- 4 PLC ± —
- ANGLES ± 2°

DWN —	MATERIAL —	FINISH —		
CHK —	TE Connectivity			
APVD —				
PRODUCT SPEC —	NAME WIRE SEAL			
APPLICATION SPEC —	SIZE A4	CAGE CODE 00779	DRAWING NO C-281934	RESTRICTED TO —
WEIGHT —	CUSTOMER DRAWING			



SCALE —	SHEET 2	OF 3	REV H1
------------	------------	---------	-----------

LOC I	DIST —	REVISIONS			
P	LTR	DESCRIPTION	DATE	DWN	APVD
	—	SEE SHEET 1	—	—	—



RELEASED FOR PUBLICATION

ALL RIGHTS RESERVED.

THIS DRAWING IS UNPUBLISHED.

By —
COPYRIGHT —

METRIC

DIAM. ISOLANTE
(INS. DIA. RANGE)
1.2–1.6mm

RANGO FILO
(WIRE RANGE)

VERDE–GREEN

GOMMA AL SILICONE
SILICONE RUBBER

281934–4

FINITURA / COLORE
(FINISH / COLOUR)

MATERIALE
(MATERIAL)

NUMERO
(PART NUMBER)

CUSTOMER DWG.
FOR REFERENCE ONLY

DISEGNO PER CLIENTE
SOLO PER RIFERIMENTO

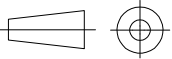
DIMENSIONS:

mm

TOLERANCES UNLESS
OTHERWISE SPECIFIED:

- 0 PLC ± —
- 1 PLC ± 0.3
- 2 PLC ± —
- 3 PLC ± —
- 4 PLC ± —
- ANGLES ± 2°

DWN	—	MATERIAL	—	FINISH	—
CHK	—	TE TE Connectivity			
APVD	—				
PRODUCT SPEC	—	NAME WIRE SEAL			
APPLICATION SPEC	—	SIZE	CAGE CODE	DRAWING NO	RESTRICTED TO
WEIGHT	—	A4	00779	C-281934	—



CUSTOMER DRAWING

SCALE — SHEET 3 OF 3 REV H1