

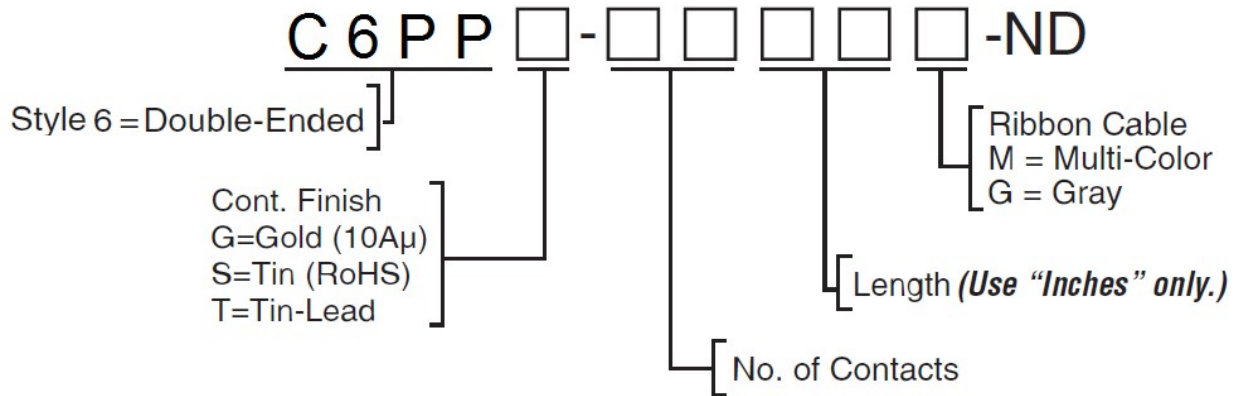
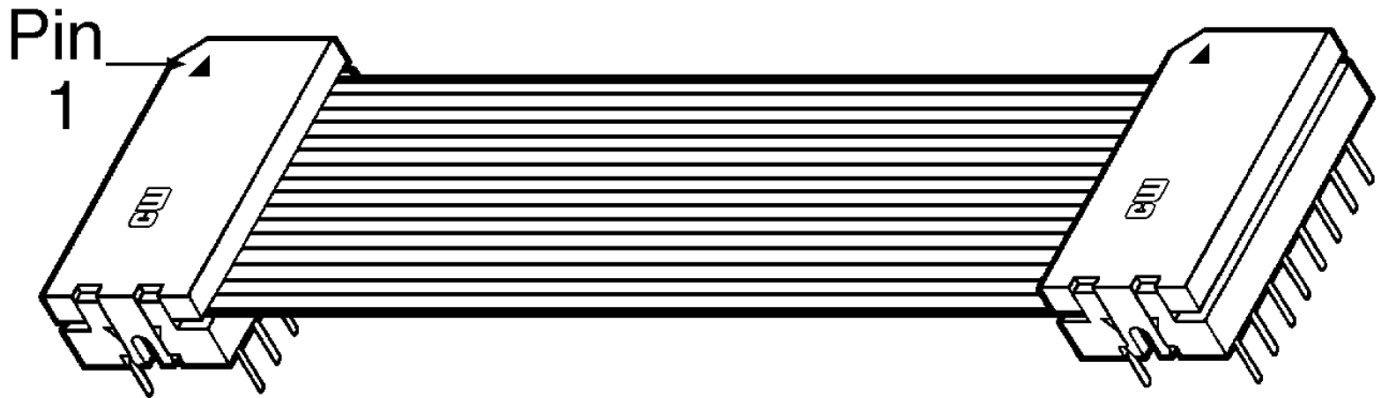


DIP Cable Assemblies

Double Ended Style 6

[DIP Connector without Strain Relief shown](#)

Pin #1 on connector is connected to 2nd conductor on cable



**Digi-Key® Custom Cable Assemblies Available
Call Digi-Key**

Also available in the following version:

[DIP Connector with Strain Relief Strap](#)

C6RR--ND