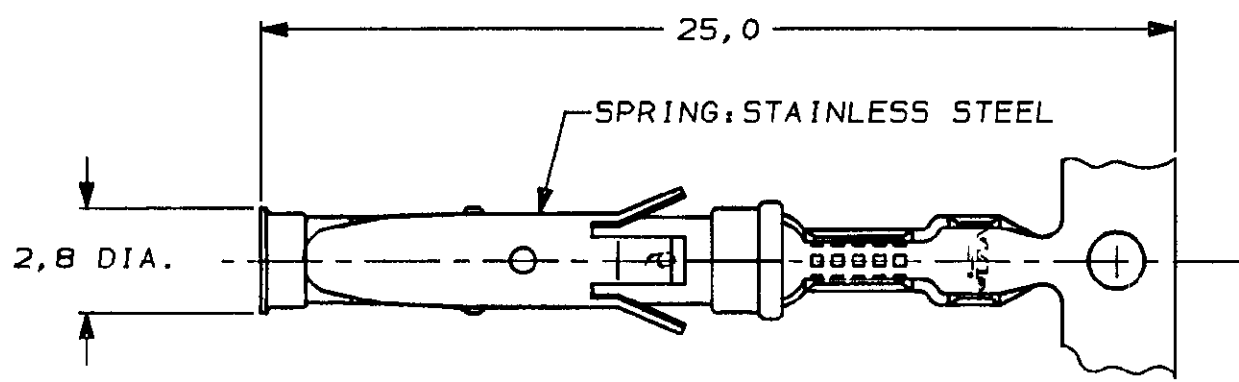


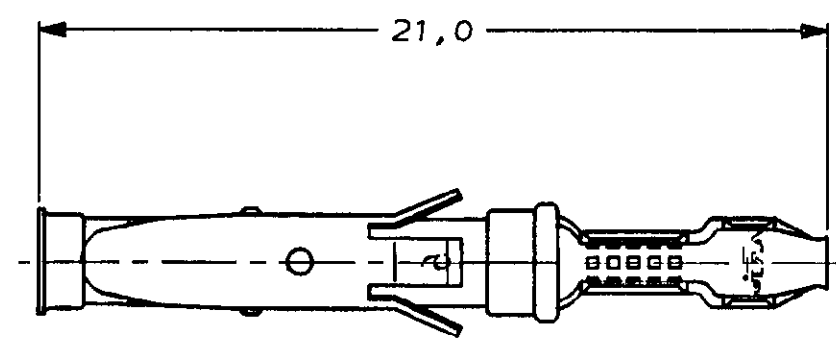
DO NOT SCALE
DIMENSIONS IN mm

METRIC

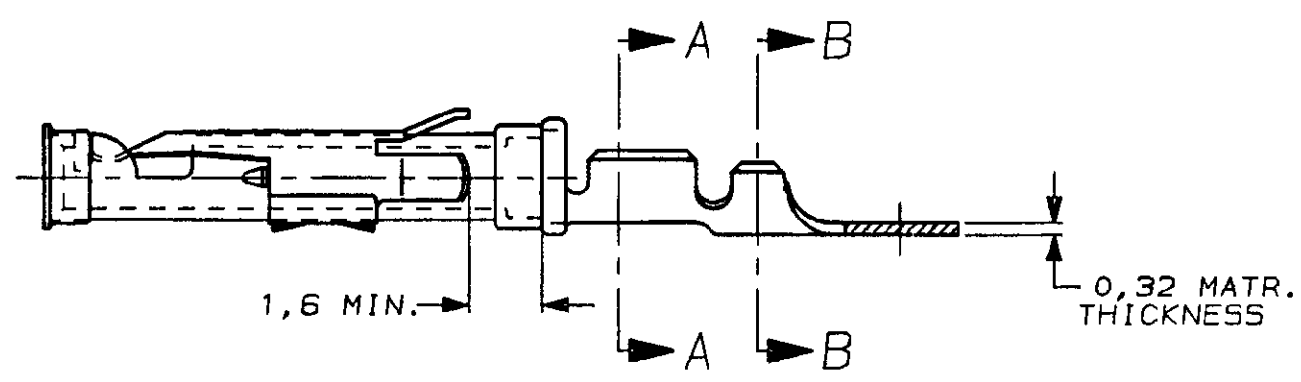
THIRD ANGLE
PROJECTION



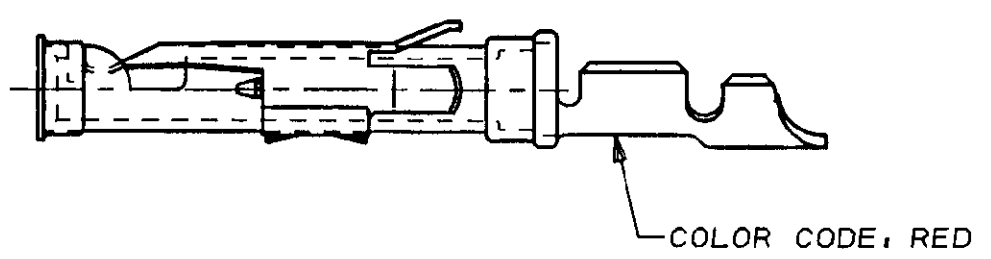
STRIP



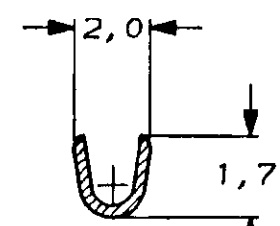
LOOSE-PIECE



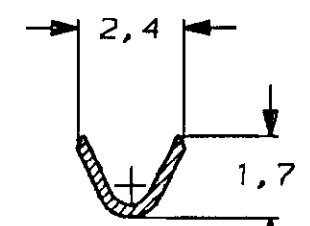
0,32 MATR. THICKNESS



COLOR CODE: RED



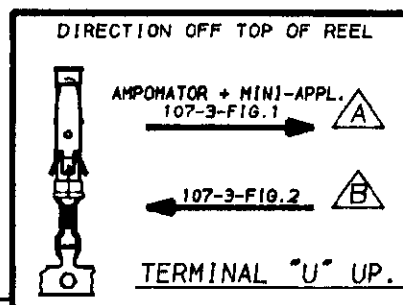
SECTION A-A



SECTION B-B

WIRE RANGE : 0,12-0,20 mm² (26-24 AWG)
INSUL. RANGE : 0,9 -1,4 mm (.035-.055)

DOC. CONTROL
09 SEP 1987



1-163091-3	A	1-163092-3	BRASS	EL. TIN	31	20
1-163091-2	4	1-163092-2	BRASS	BR. TIN/LEAD	30	
1-163091-1	A		BRASS	ECON. GOLD	21	
1-163091-0	B	1-163092-0	BRASS	ECON. GOLD	21	
163091-9	A		BRASS	EL. TIN	20	
163091-8	A		BRASS	SEL. GOLD	22	
163091-2	1	163092-2	BRASS	SEL. GOLD	22	
163091-1	1	163092-1	BRASS	EL. TIN	20	
PARTNUMBER	DIRECTION OF REEL	LOOSE-PIECE	MATERIAL	PLATING		

- NOTES:
- 1 U.L. RECOGNIZED UNDER FILE E28476 VOL. VI SEC. I.
 - 2 FOR CRIMP DETAILS SEE AMP-SPEC. 114-19.000.
 - 3 MEETS PRODUCT SPECIFICATION 108-10042.
 - 4 OBSOLETE PARTS: OBSOLETE CIS STREAMLINING PER D.RENAUD/D.SINISI
 - 5 OBSOLETE

NOTES	MATERIAL	THICKNESS	AREA
20	TIN	2,0 μm	ALL OVER
21	NICKEL GOLD TIN/LEAD	0,8 μm	ALL OVER CONTACT AREA BARREL
22	NICKEL GOLD GOLD	0,8 μm	ALL OVER CONTACT AREA ALL OVER
23	NICKEL GOLD GOLD	1,2 μm	ALL OVER CONTACT AREA ALL OVER
24	NICKEL SILVER TIN/LEAD	2,5 μm	ALL OVER CONTACT AREA BARREL
25	SILVER	0,5 μm	ALL OVER
26	SILVER	2,5 μm	ALL OVER
27	NICKEL TIN/LEAD	1,27 μm	ALL OVER
28	NICKEL TIN/LEAD	1,27 μm	ALL OVER
29	LUBRICATED		

Y2	REVISED PER ECO-11-005140	RK	HMR	31MAR11
LTR.	REVISION RECORD	DR.	CHK.	DATE
DR.:	L.V.D.HEIJDEN.	CHK.:	P.V.D.HAGEN.	APP.:
DATE:	19-08-87	DATE:	20-08-87	DATE:
				AL.V.SOEST
				20-08-87

CUSTOMER DRAWING FOR REFERENCE ONLY
WILL NOT BE UPDATED

THIS DRAWING IS UNPUBLISHED
RELEASED FOR PUBLICATION

STE TE Connectivity

NAME: SOCKET TYPE III CONTACT
SIZE 16.

DWG. No. C-163091

REV. LTR. Y2 SHEET 1 OF 1