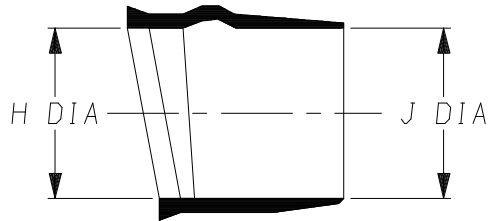
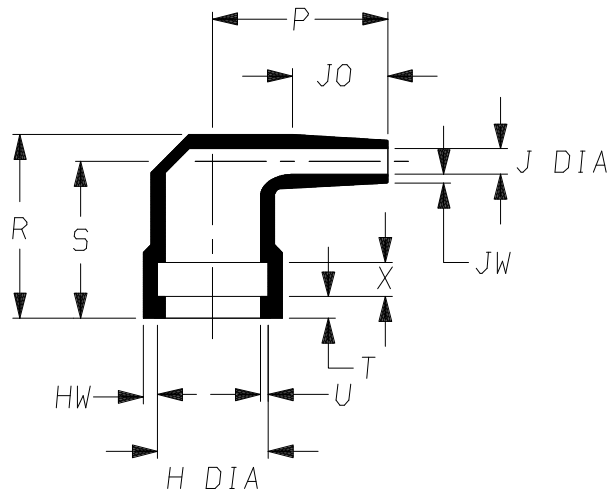


a) Part as supplied

224W221-\*G03



b) Part after unrestricted recovery.



DIMENSIONS (in millimetres).

Part Number	H		J		P	R	S	T	U	X	JO	HW	JW
	Min	Max	Min	Max	±10%	±10%	±10%	±10%	±10%	±10%	±10%	±20%	±20%
	a	b	a	b	b	b	b	b	b	b	b	b	b
224W221-G03	11 {0.43}	7.8 {0.31}	11 {0.43}	1.9 {0.07}	12.3 {0.48}	13 {0.51}	11 {0.43}	1.5 {0.06}	0.55 {0.02}	2.4 {0.09}	6.6 {0.26}	1.0 {0.04}	0.5 {0.02}
	#		#										

This variant has a smaller H & J outlet  
Modified dimensions are shown thus:- #

**Copyright (!)**

The copyright in this drawing is the property of Tyco Electronics UK Ltd. The drawing is issued on the condition that it is not copied, reproduced or disclosed to a third party, either in whole or in part without the prior written consent of Tyco Electronics UK Ltd.

Drawn A.LILLEY. Checked

Issue 2

Date June 2004

Conforms to ISO Recommendations  
3rd Angle Projection  
Not to Scale

Approval  
Design

MKTG.

Q.A.

