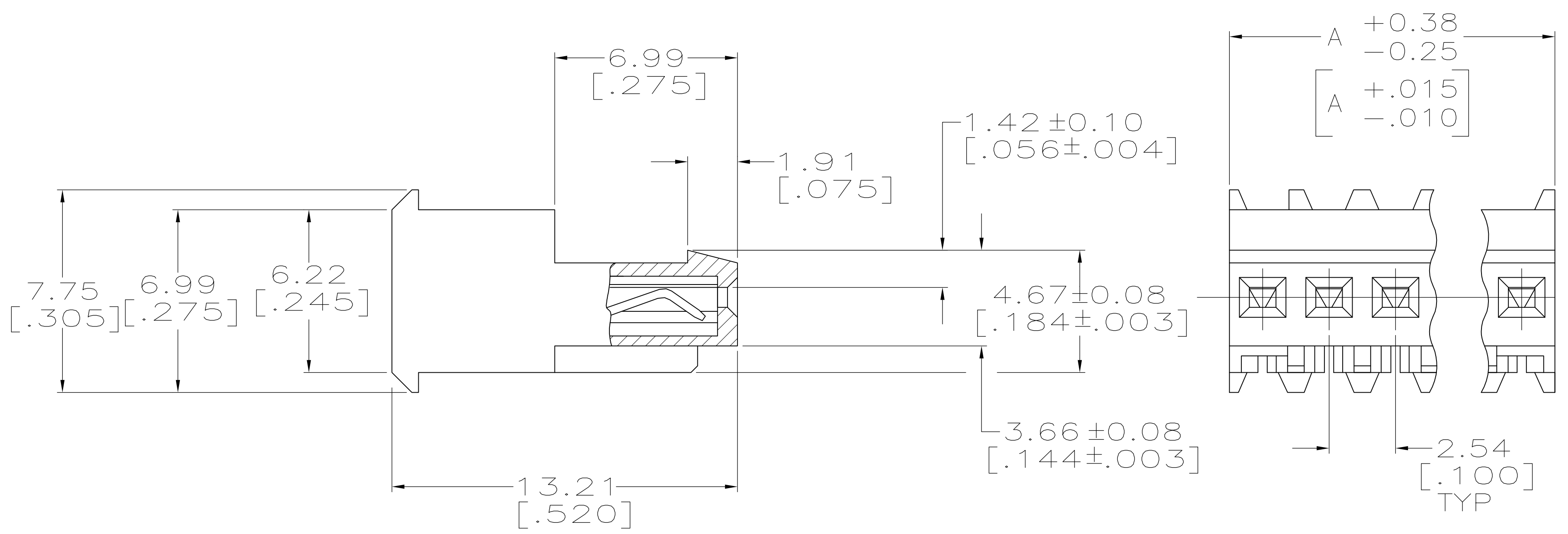
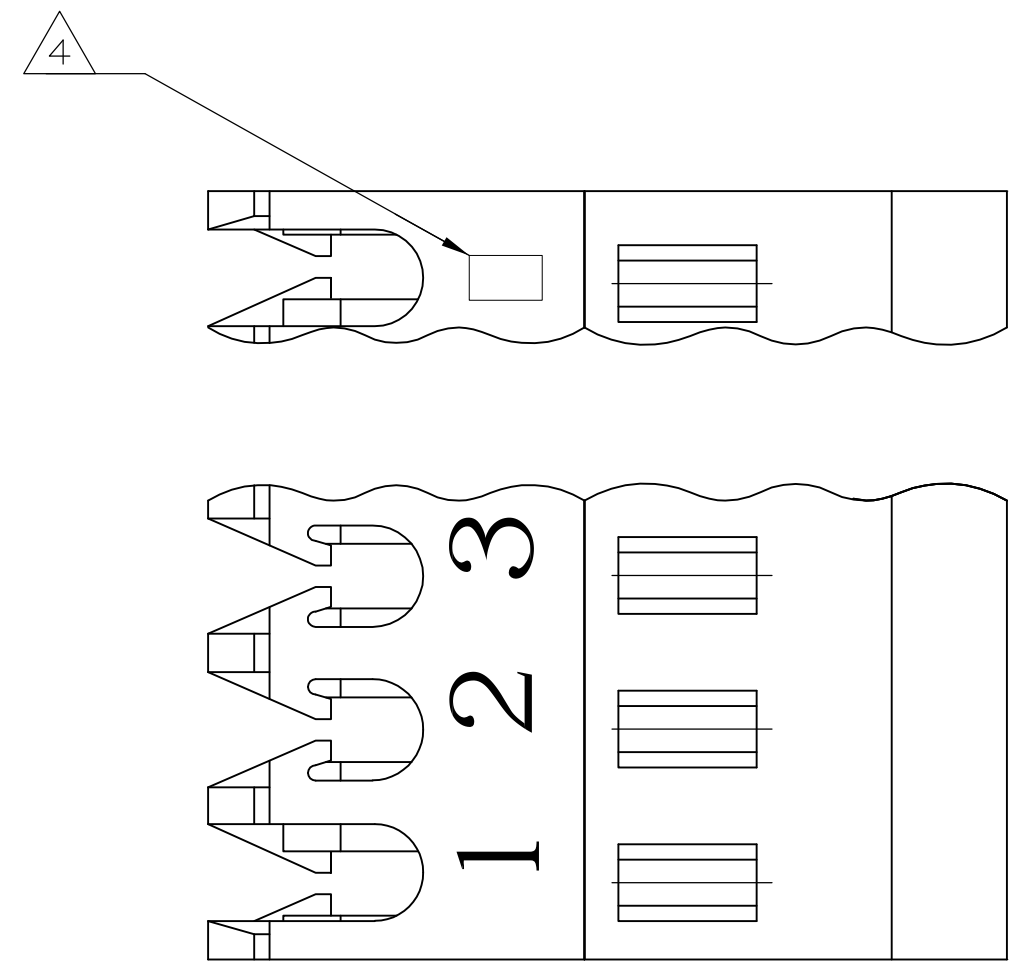


- 1 MATERIAL: CONNECTOR-NYLON UL94V-2.
CONTACTS-0.30 [.012] THICK COPPER ALLOY
BRIGHT TIN-LEAD 0.00203 [.000080] MINIMUM THICK FOR CONTACTS
641656-2 THRU 641656-3,
MATTE WHISKER MITIGATED TIN PLATE 0.00203 [.000080] MINIMUM THICK OVER
NICKEL UNDERPLATE FOR CONTACTS 3-641656-2 THRU 3-641656-3.
- 2 CONTACTS ACCEPT 28 AWG WIRE WITH 1.52 [.060] MAXIMUM INSULATION DIAMETER.
- 3 CONTACTS MUST ACCEPT 0.64±0.03 [.025±.001] SQUARE POST AND REMAIN
LOCKED IN POSITION.
- 4 IDENTIFICATION NUMBER FOR LAST CIRCUIT MAY NOT APPEAR ON ALL ASSEMBLIES.
- 5 DIMENSIONS IN BRACKETS ARE IN INCHES.
- 6 HOUSING FEATURES ARE: FEED THRU WITH LOCKING RAMP & LED CONTACT.
- 7 OBSOLETE PARTS: OBSOLETE CIS STREAMLINING PER D.RENAUD/D.SINISI
- 8 GREEN COLOR STRIPE ON HOUSING (NOT SHOWN) MAY RUN DOWN BETWEEN RIBS.



LEAD FREE			
	7.62 [.300]	3	3-641656-3
	5.08 [.200]	2	3-641656-2
	DIM A	NO.OF POSN	ASSEMBLY

CONTAINS LEAD			
	7.62 [.300]	3	641656-3
	5.08 [.200]	2	641656-2
	DIM A	NO.OF POSN	ASSEMBLY

△ SUPERSEDED
△ SUPERSEDED

THIS DRAWING IS A CONTROLLED DOCUMENT.

DIMENSIONS: mm [INCHES]	TOLERANCES UNLESS OTHERWISE SPECIFIED:	DIN S. HOOVER 10-DEC-2004	CM
0 PLC ±	1 PLC ±	CMK D. ROSSI 10-DEC-2004	
2 PLC ±	3 PLC ±	APVD D. ROSSI 10-DEC-2004	
4 PLC ±	ANGLES ±	NAME	

MTA-100 CONNECTOR ASSEMBLY, 28 AWG, FOR .014 TO .020 POST, SPECIAL

108-1050

114-1019

SCALE 8:1 SHEET 1 OF 1 REV F