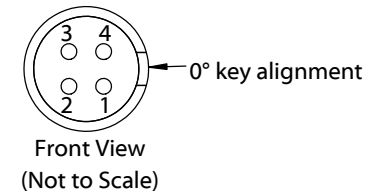
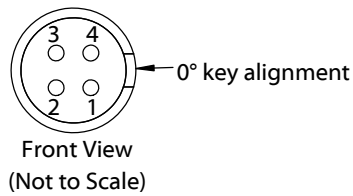
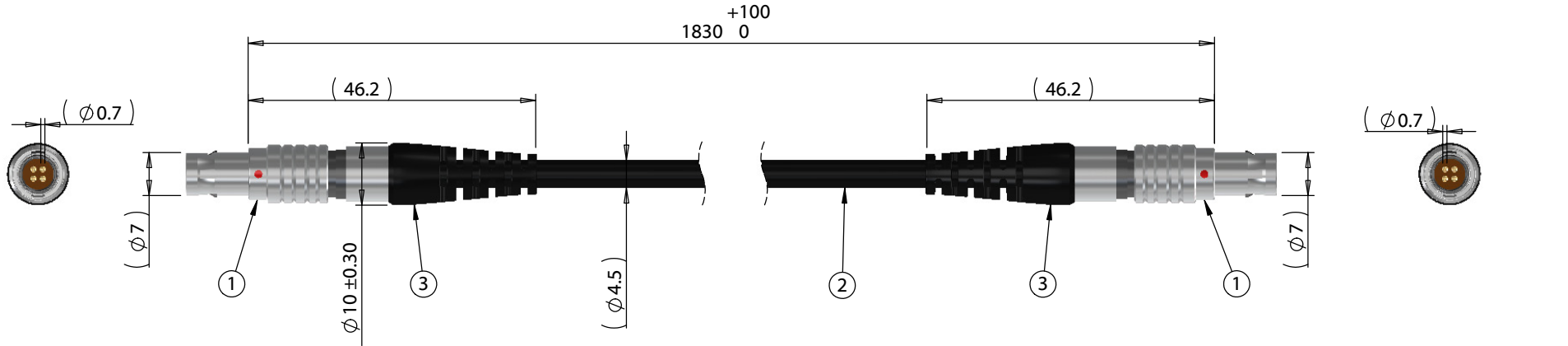


| ITEM NO. | PART NUMBER | DESCRIPTION | QTY. | COMPONENT NOTES |
|----------|-------------|----------------------------------------------------------------------------------------|------|-----------------|
| 1 | 51-00016.M | Connector, PPL7, 4C, 0° plug, 7x38 mm, chrome, solder, Ø2.2-5.2 mm wire, molding style | 2 | |
| 2 | 30-00913 | Wire, 3C BC, 24 AWG, UL20280, 300V, 80C, 4.5 mm braided shield, FT2, TPU | 1 | |
| 3 | 24-00206 | Overmold, PPL7 strian relief, 10x24 mm | 2 | |



| Wiring Diagram | | |
|----------------|--------------|------------|
| 50-00016.M | wire color | 50-00016.M |
| 1 | Red | 1 |
| 2 | White | 2 |
| 3 | Black | 3 |
| 4 | Drain/Shield | 4 |

| | | | | | |
|-----------|-----------|-----------------|--------------------------------------------------------------------------------------------------|----------------------------------------------------------------------------------------------|--------------------------------------------------------------------------------------------------------|
| Revision: | Date: | Description: | Prepared: | Notes: | <h1>TENSILITY</h1> <p>tel 1.541.323.3228 800 877.670.7118 fax 1.541.323.4202 web tensility.com</p> |
| A | 3/27/2018 | Initial release | Verified: | | |
| | | | Dimensions are in millimeters. Tolerances: X: ± 0.5 mm X.X: ± 0.3 mm X.XX: ± 0.05 mm | Function test: no open, no short circuit, no intermittent | Size: Part number: |
| | | | | Description: Cable, 1830 mm, 4C PPL7 plug 51-00016.M to same, 24 AWG, UL20280 30-00913 | A 10-02261 |
| | | | | | Scale: 1:1 Sheet 1 of 1 |

5

4

3

2

1