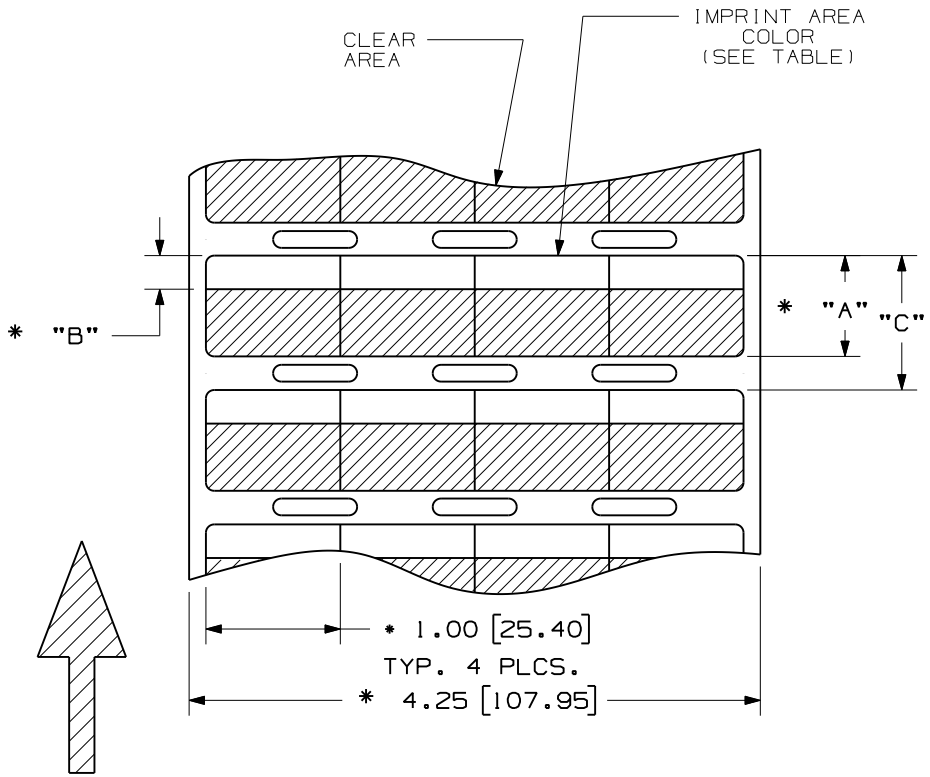


THIS COPY IS PROVIDED ON A RESTRICTED BASIS AND IS NOT TO BE USED IN ANY WAY DETRIMENTAL TO THE INTERESTS OF PANDUIT CORP.

3

PART NUMBER	"A" DIM	"B" IMPRINT AREA	COLOR-IMPRINT AREA	"C" VERTICAL AREA	"D" DIM	LABELS PER ROW	STD. PKG. QTY.				
S100X225VBTY	2.25 (57.2)	0.75 +/- .062 (19.0 +/- 1.6)	TIA BLUE	2.50 (63.5)	.063 (1.60)	4	5,000				
S100X225VCTY			TIA TAN								
S100X225VDTY			TIA GREEN								
S100X225VETY			TIA GRAY								
S100X225VFTY			TIA ORANGE								
S100X225VGTY			TIA PURPLE								
S100X225VHTY			TIA PINK								
S100X225VITY			TIA YELLOW								
S100X225VOTY			TIA BLACK								
S100X225V9TY			TIA GOLD								
S100X150VBTY			1.50 (38.1)					0.50 +/- .062 (12.7 +/- 1.6)	TIA BLUE	1.80 (45.7)	.088 (2.24)
S100X150VCTY									TIA TAN		
S100X150VDTY	TIA GREEN										
S100X150VETY	TIA GRAY										
S100X150VFTY	TIA ORANGE										
S100X150VGTY	TIA PURPLE										
S100X150VHTY	TIA PINK										
S100X150VITY	TIA YELLOW										
S100X150VOTY	TIA BLACK										
S100X150V9TY	TIA GOLD										



NOTES:  
1. MILLIMETERS ARE IN [ ].

UNWIND DIRECTION

CAD FILENAME/LAYERS  
I00472HT-DC-C10404/06D

PANDUIT CORP. TINLEY PARK, ILLINOIS

OPTIMUM SELF-LAM. CUSTOMER DRAWING  
S100X150V\*\*Y & S100X225V\*\*Y  
THERMAL TRANSFER PRINTABLE LABELS  
WITH COLOR TINTED IMPRINT AREAS

REV	DATE	BY	CHK	DESCRIPTION	ECN	R	CUST	SUP
3	8/10/12	RVU		GMV17 WAS GMV16.	GAECN00177	OO		
2	1/23/08	RVU	DWY	REMOVED "SEE MIF. NO." FROM THE TABLE. ADDED "TIA COLOR" ON TABLE.	5268	R		
1	12/20/07	RVU	DWY	GMV16 WAS GMV54CLC.	5243	R		
0	9-11-06	RVU	DWY	RELEASE TO PRODUCTION.	4671	R		

UNLESS OTHERWISE SPECIFIED, DIMENSIONAL TOLERANCES ARE:  
(.X) ± (.XXX) ±  
(.XX) ± ANGLES ±

UNLESS OTHERWISE SPECIFIED, ALL DIMENSIONS ARE GIVEN IN INCHES, THIRD ANGLE PROJECTION.

SCALE: NTS

DRAWING NO. C10404

DWG SIZE: A

DRAWN BY: RVU

DATE: 3-30-06

CHK'D:

MAT'L: GMV17

3