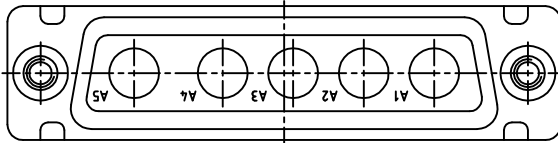
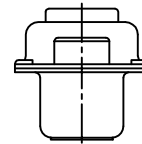
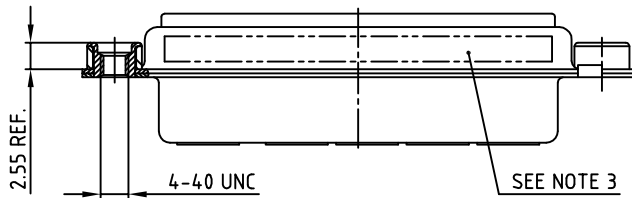
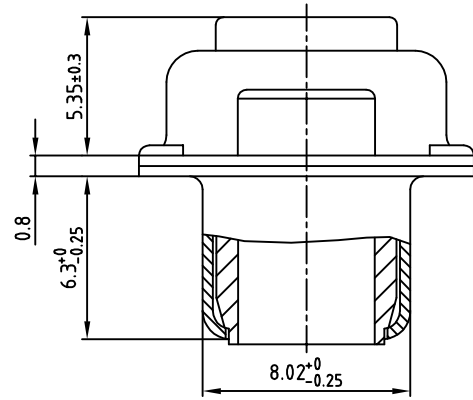
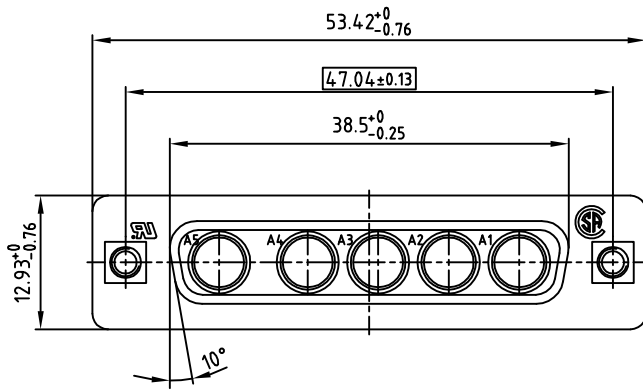


used for: D-SUB COMBINATION

5:1



NOTES:

- METALSHELLS: STEEL; min. 320µ" TIN
- INSULATOR: PBT GF, UL 94 V-0; GREEN
- CONNECTOR IS PART MARKED: PART NO: CONEC Y/WW
- = CRITICAL DIMENSION

Directive 2002/95/EC
 „RoHS“
 Compliant

THIS DRAWING MAY NOT BE COPIED OR REPRODUCED IN ANY WAY, AND MAY NOT BE PASSED ON TO A THIRD PARTY, WITHOUT WRITTEN PERMISSION. OWNERSHIP AND COPYRIGHT OF CONEC GmbH DO NOT ALTER CAD DRAWING BY HAND

rev.	description	date	name

tolerance

scale: 2:1 (5:1)
material: SEE NOTES

title: D-SUB COMBINATION FEMALE
5W5S
WITHOUT CONTACTS

dwg no: AutoCAD 2000
13K1A692

part no: 3005W5SXX99A30X

CONEC®

2002	date	name	title: D-SUB COMBINATION FEMALE 5W5S WITHOUT CONTACTS dwg no: AutoCAD 2000 13K1A692 part no: 3005W5SXX99A30X
drawn	28.08.	Schmidt	
appd.	28.08.	Mickenbecker	
norm			
d-old			
DIN-A 3 sh: 1/1			