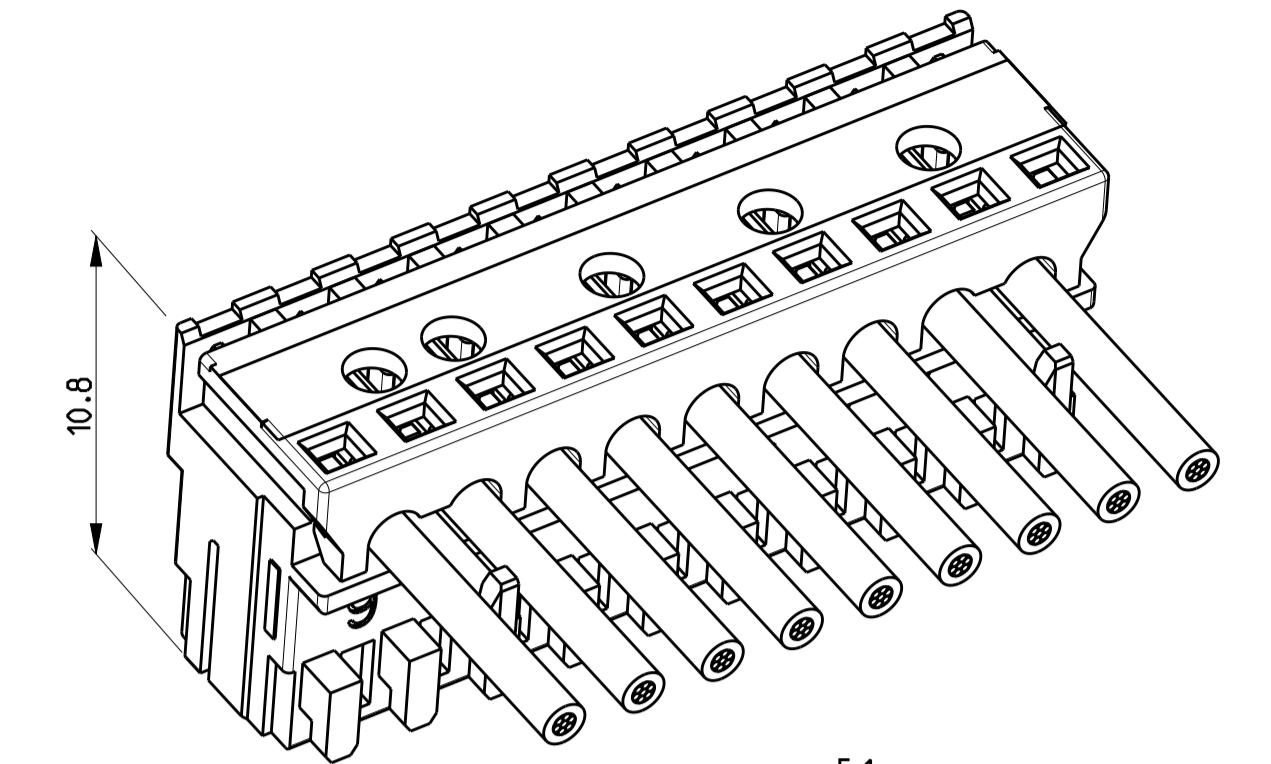
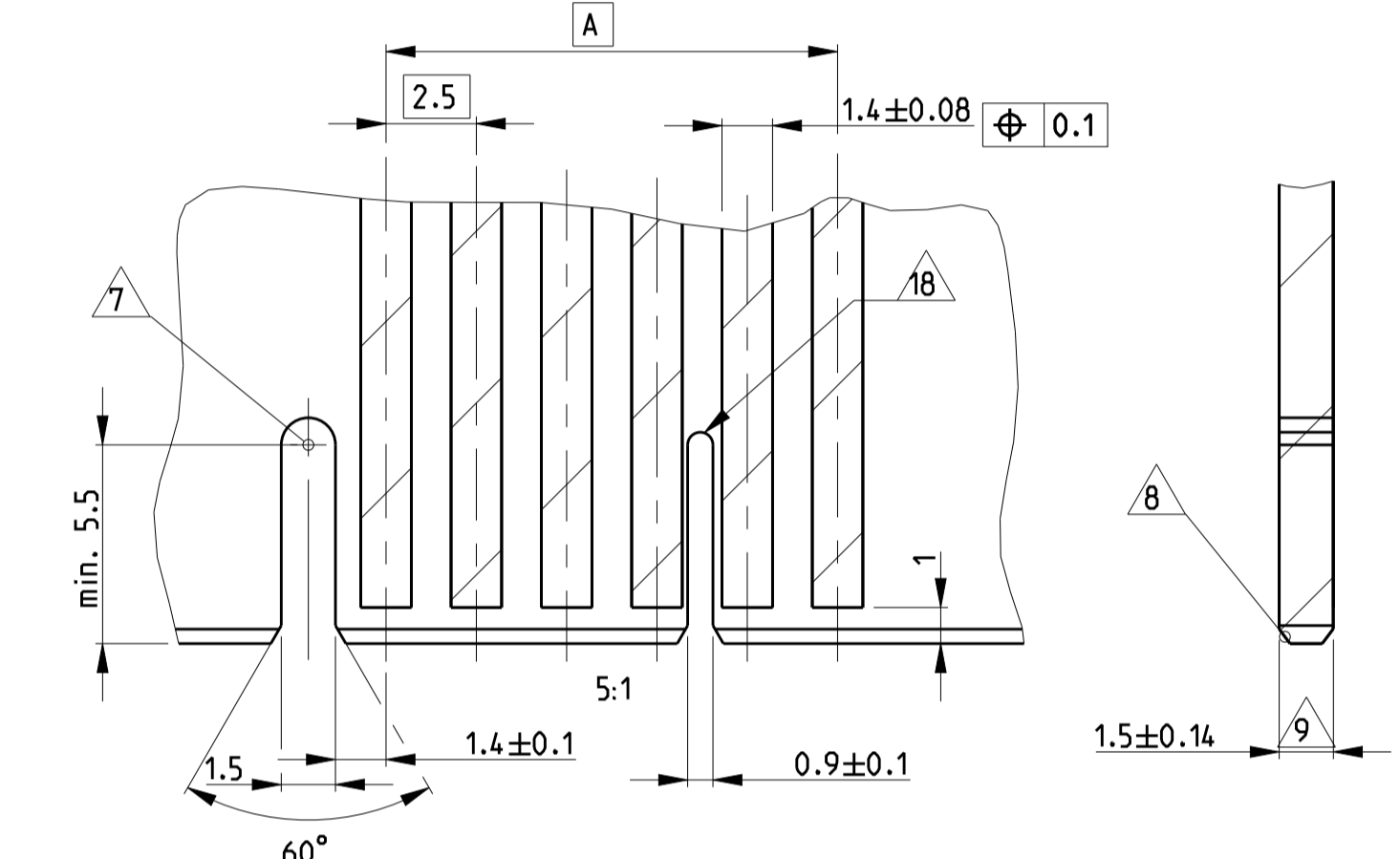


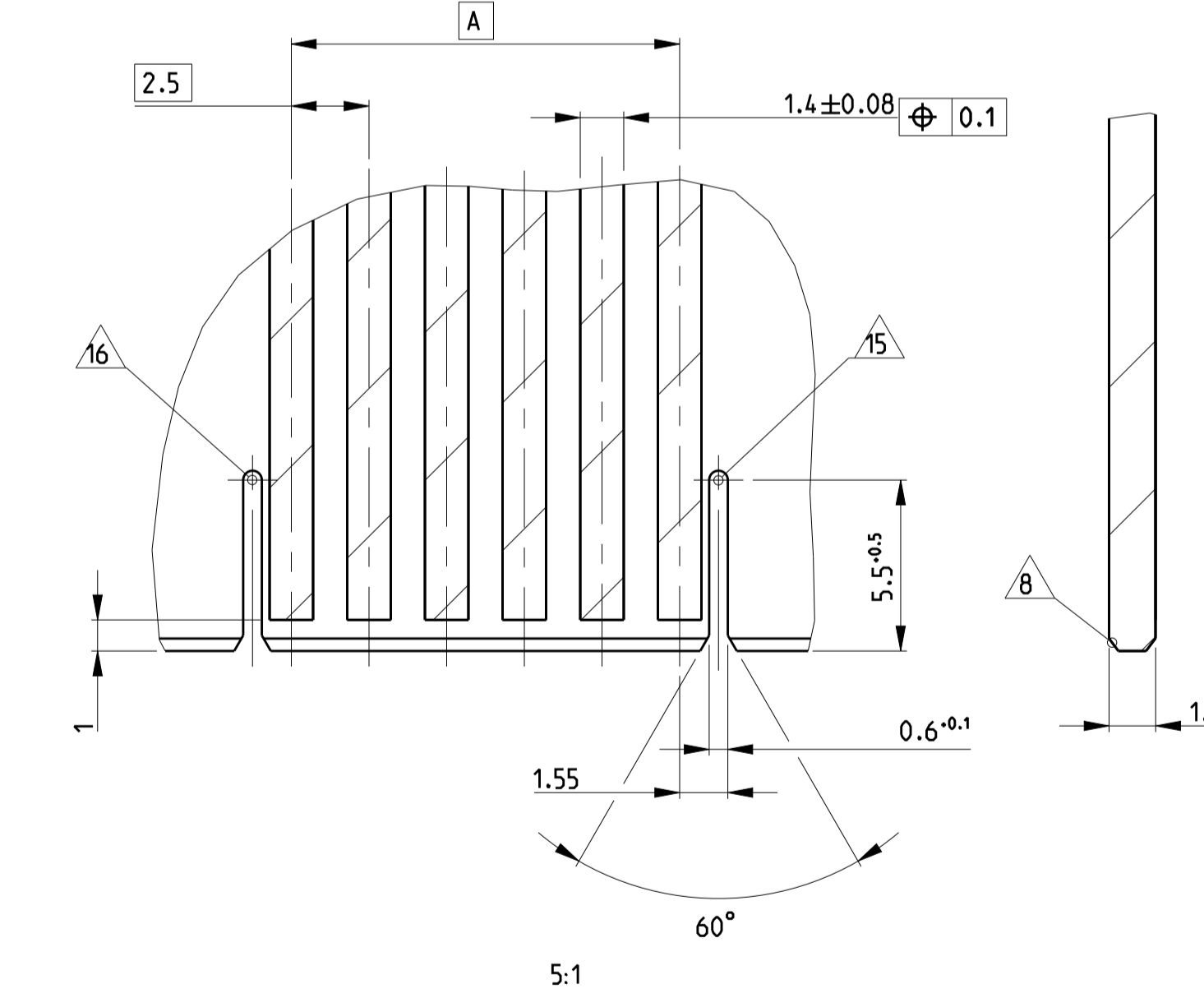
LOC	DIST	REVISIONS					
A1	-	P	LTR	DESCRIPTION	DATE	DWN	APVD
		D27	ECR-16-010305		19 JUL 2016	W W	RR
		D28	ECR-17-002009		14 FEB 2017	LZ	RR
		D29	ECR-17-002659		3 MAR 2017	LZ	RR



PCB LAYOUT KEYED / CONNECTED ONLY WITH ADDITIONAL FRAME (THICK KEYING)
Leiterplattenanschluss kodiert / nur in Verbindung mit zusätzlichem Rahmen



PCB LAYOUT KEYED / CONNECTED ONLY WITH ADDITIONAL FRAME (SLIM KEYING)
Leiterplattenanschluss kodiert / nur in Verbindung mit zusätzlichem Rahmen



- 25 SIDE KEYING ON LAST CAVITY THICKNESS=1.5mm
- 24 SIDE KEYING ON CAVITY 1 THICKNESS=1.5mm
- 19 COLOR MARKING IN THIS AREA. COLOR SEE TABLE
- 18 SLOT, THICK, BETWEEN CAVITIES
- 17 KEYING, THICK, BETWEEN POSITION
- 16 SLOT, SLIM, FOR SIDE KEYING, LAST CAVITY
Schlitz,duenn. an letzte Kammer
- 15 SLOT, SLIM, FOR SIDE KEYING, SIDE CAVITY 1
Schlitz,duenn. fuer Seitenkodierung
- 14 SIDE KEYING, SLIM, ON LAST CAVITY
Seitenkodierung, duenn. an letzte Kammer
- 13 SIDE KEYING, SLIM, ON CAVITY 1
Seitenkodierung, duenn. an Kammer 1
- 12 KEYING SLIM BETWEEN POSITIONS
- 11 PRELIMINARY PART NOT RELEASED FOR PRODUCTION
- 10 TE LOGO
- 9 INCLUSIVE COPPER LOADING
Inklusive Kupferkaschierung
- 8 PCB PREFERABLY CHAMFERED
Leiterplatte vorzugsweise angefast
- 7 SLOT, THICK, FOR SIDE KEYING
Schlitz,dick. fuer Seitenkodierung
- 6 SIDE KEYING, THICK, ON LAST CAVITY
Seitenkodierung, dick. an letzte Kammer
- 5 WIRE RANG: 0.22-0.35mm² SEE APPLICATION SPEC. 114-18467
Drahtgroessenbereich: 0.22-0.35mm² siehe Verarbeitungsspec. 114-18467
- 4 IEC 60695-2-11 / IEC 60335-1 GLOW WIRE TEST 750 °C WITHOUT FLAME
IEC 60695-2-11 / IEC 60335-1 Gluehdrahttest 750 °C ohne Flamme
- 3 X..CAVITY LOADED WITH CONTACT
O..CAVITY WITHOUT CONTACT
X..Kammer mit Kontakt bestueckt
O..Kammer ohne Kontakt
- 2 MATING PART: PCB (WITH FRAMES ACC. RAST 2.5 E.G. PN 964 575/576
TABHEADER PN 829 866/867
Passender Gegenstecker: Leiterplatten (mit Rahmen nach RAST 2.5 z.B.
964 575/576) Tabwannen Nr. 829 866/867
- 1 KEYING RIBS: CUTTING WITH TERMINATION MACHINE POSSIBLE
Kodierrippe; Schneiden auf der Verarbeitungsmaschine moeglich

2	SEE TABLE	CONTACT/Kontakt	CuSn	TINNED/verzinkt
1	siehe Tabelle	HOUSING/Federleistengenh.	PA 6 GF UL94-V2	NATUR/Natur
POS.	PN Bestell-Nr.	DESCRIPTION Beschreibung	MATERIAL	COLOUR/FINISH Farbe/Oberflaeche

THIS DRAWING IS A CONTROLLED DOCUMENT. DWN: H. Karabiyik, 24MAY2002
CHK: B. Schnaubel, 24MAY2002
APVD: T. Klenner, 24MAY2002

DIMENSIONS: mm. TOLERANCES UNLESS OTHERWISE SPECIFIED:
0 PLC ±0.2
1 PLC ±0.2
2 PLC ±0.2
3 PLC ±0.2
4 PLC ±0.2
ANGLES ±1°
FINISH -

MATERIAL: -

Customer Drawing

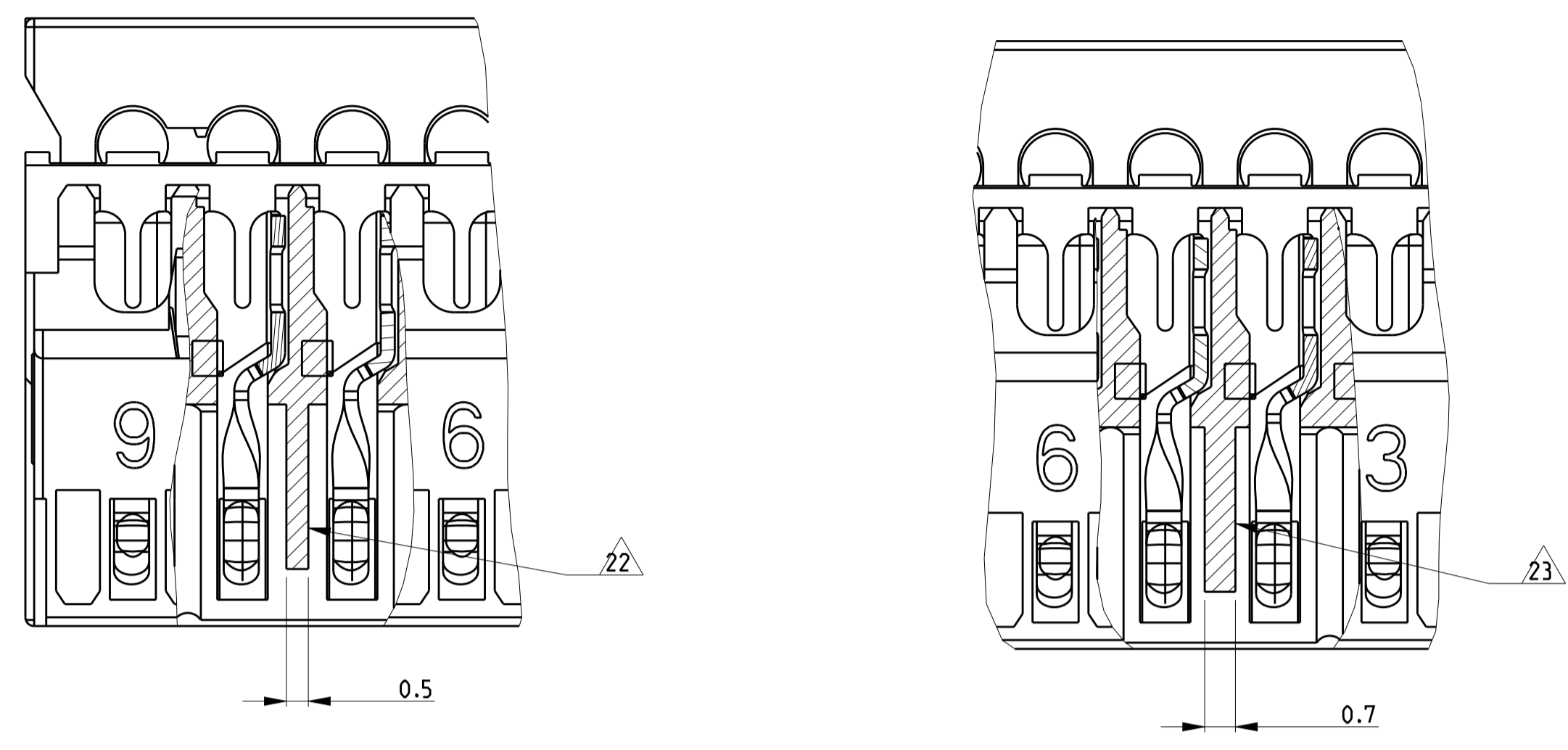
NAME: AMP DUOPLUG 2.5 MARK II FEMALE CONNECTOR 3-20 POSITION SELECTIVE LOADED
PRODUCT SPEC: 108-18785
APPLICATION SPEC: 114-18467
WEIGHT: -

SIZE: A1
CAGE CODE: 00779
DRAWING NO: C=1534798
RESTRICTED TO: -

SCALE: 10:1 SHEET: 1 OF 3

4805 (3/11)

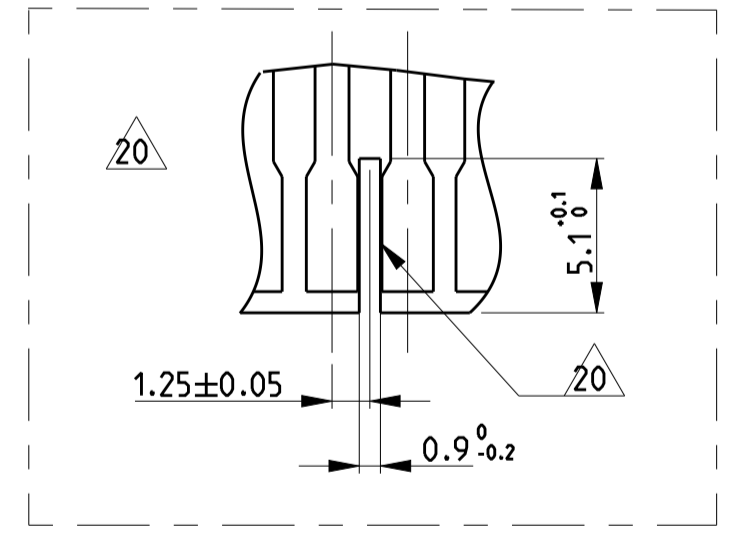
LOC	DIST	REVISIONS					
		P	LTR	DESCRIPTION	DATE	DWN	APVD
-	-	-	-	SEE SHEET 1	-	-	-



KEYING 22

KEYING 23

- 23 KEYING. SPECIAL THICK. BETWEEN POSITION
- 22 KEYING. SPECIAL THIN. BETWEEN POSITION
- 21 SLOT FOR KEYING SPECIAL. BETWEEN POSITION
- 20 RECOMMENDED PCB CUTOFF DIMENSION FOR THE PN X-2304527-Y AND X-2304528-Y



GWT 750C AND UL94 V0 VERSION																												
Blue										X	0	X	X	X	X	X	X	X	X	13	30	34.9			-	2/3	2304528-3	
Orange										X	0	X	0	X	0	X	0	X	X	11	25	29.9			-	-	1-2304528-1	
Green										X	0	X	0	X	0	X	0	X	X						-	-	2304528-1	
										X	0	X	X	0	X	X	0	X	X						-	-	2-2304527-9	
Black										X	X	0	X	0	X	X	0	X	X	9	20	24.9			-	2/3	1-2304527-9	
Blue										X	X	X	X	X	X	0	X	X						-	2/3	2304527-9		
										X	0	X	0	X	0	X	X	X							-	-	4-2304527-7	
										X	X	X	0	X	X	X	X	X						-	-	3-2304527-7		
Black										X	X	X	X	0	0	0	X	X						-	2/3	2-2304527-7		
Green										X	0	X	0	X	0	X	X	X						-	-	1-2304527-7		
Blue										X	0	X	0	X	0	X	X	X						-	-	2304527-7		
Red										X	X	0	X	0	X	X	X	X						-	-	6-2304527-6		
Black										X	0	X	X	0	X	X	X	X						-	-	5-2304527-6		
Green										X	X	0	X	0	X	X	X	X						-	-	4-2304527-6		
										0	0	X	X	X	X	X	X	X						-	-	3-2304527-6		
										X	0	X	X	0	X	X	X	X						-	-	2-2304527-6		
Blue										X	0	X	0	X	X	X	X	X						-	-	1-2304527-6		
Red										X	0	X	X	0	X	X	X	X						-	-	2304527-6		
Red										X	X	X	0	X	X	X	X	X						-	-	4-2304527-5		
Red										X	0	0	0	X	X	X	X	X					3/4		-	-	3-2304527-5	
										X	0	0	0	X	X	X	X	X						-	-	2-2304527-5		
										X	0	X	0	X	X	X	X	X						-	-	1-2304527-5		
Green										X	0	X	0	X	X	X	X	X						-	-	2304527-5		
Black										X	X	0	0	X	X	X	X	X						-	3/4	-	2304527-4	
Red										X	0	X	X	X	X	X	X	X						2/3		-	8-2304527-3	
Red										X	0	X	X	X	X	X	X	X						1/2		-	7-2304527-3	
										X	0	X	X	X	X	X	X	X						2/3		-	6-2304527-3	
Blue										X	0	X	X	X	X	X	X	X								-	5-2304527-3	
										X	0	X	X	X	X	X	X	X								-	4-2304527-3	
Black										X	0	X	X	X	X	X	X	X							1/2	-	3-2304527-3	
Red										X	0	X	X	X	X	X	X	X						2/3	-	-	2-2304527-3	
Brown										X	0	X	X	X	X	X	X	X						-	-	-	1-2304527-3	
Orange										X	0	X	X	X	X	X	X	X						-	-	-	2304527-3	
Color Code	20	19	18	17	16	15	14	13	12	11	10	9	8	7	6	5	4	3	2	1	POS. Polzahl	DIM A	DIM B	22	23	24	25	PN Bestell-Nr.
	KAMMERBESTUECKUNG (CAVITIES LOADED) 23																						22	23	24	25		

THIS DRAWING IS A CONTROLLED DOCUMENT. DWN H. Karabiyik 24MAY2002
 CHK B. Schnaubel 24MAY2002
 APVD T. Klenner 24MAY2002

STE TE Connectivity

NAME AMP DUOPLUG 2.5 MARK II FEMALE CONNECTOR 3-20 POSITION SELECTIVE LOADED

PRODUCT SPEC 108-18785 APPLICATION SPEC 116-18467

SIZE CAGE CODE DRAWING NO. A1 00779 C-1534798

RESTRICTED TO -

Customer Drawing SCALE 10:1 SHEET 3 OF 3