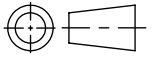
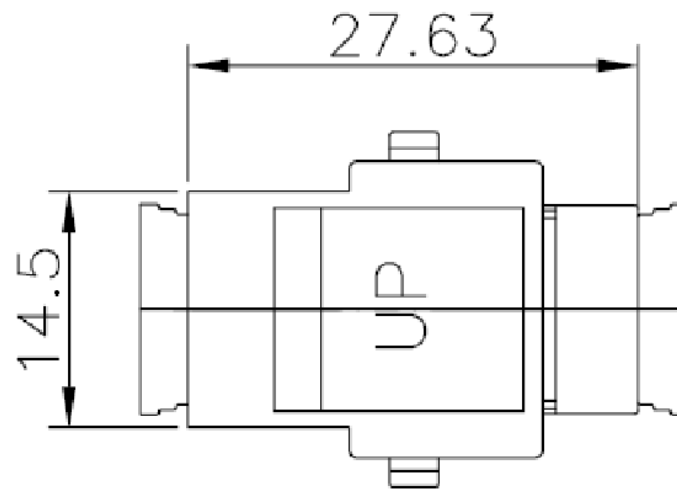
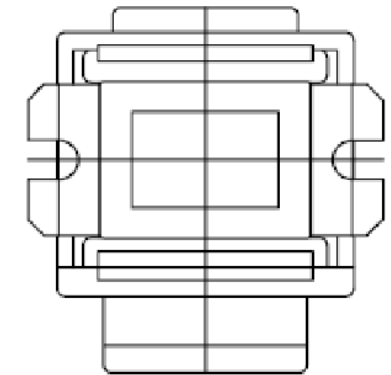
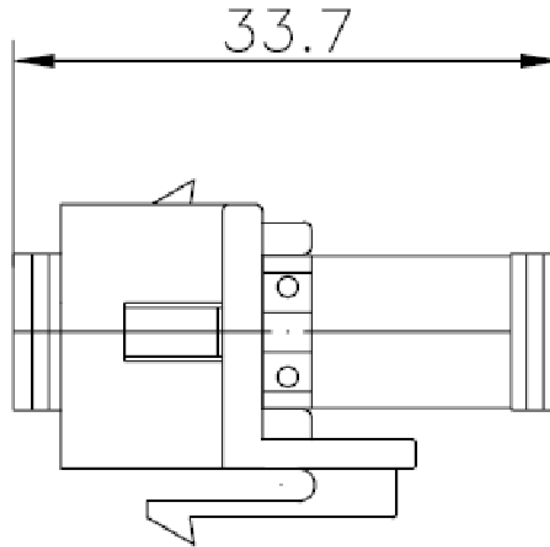
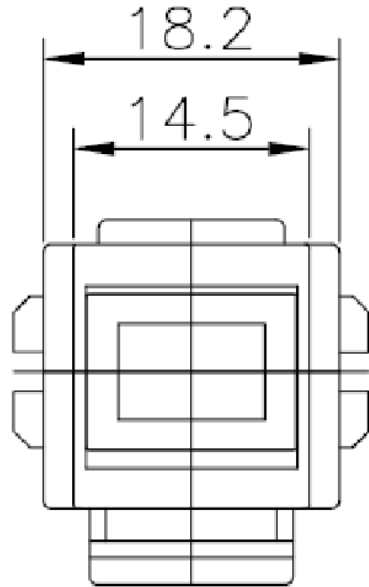


SW2014



Revision level			Revision Record	Changed	Date	Approved	Date
Drawing	State	Part					
<b>A.0</b>	<b>In Work</b>	----	SEE ECN# 013149	SNH	6/15/2015	KAC	6/15/2015



Material  
Plastic, Stainless Steel,  
ABS UL94V-0

Units: **millimeters**  
Dimension without  
tolerances details to:  
.xxx = ±.013  
.xx = ±.13  
.x = ±.3  
None = ±.8  
∠ = ±0.5°  
Dimension Formatted mm/[in]

The copyright of this  
drawing is reserved by  
HellermannTyton. It is  
issued on condition that it is  
not reproduced, copied, or  
disclosed to a third party,  
either wholly or in part,  
without the consent of  
HellermannTyton.

Drawn	SNH	6/15/2015
Approved	KAC	6/15/2015

**HellermannTyton**  
North America  
Email: corp@htamericas.com  
Web: www.hellermann.tyton.com

Article/Type-No	MRJINSERT	Scale	1:1
Title	<b>MTRJ FIBER MODULE</b>	Project Number	PRP 15-0393
Drawing-No	<b>15-0393-001-CSU</b>	Format	AH
		Sheet	1/1