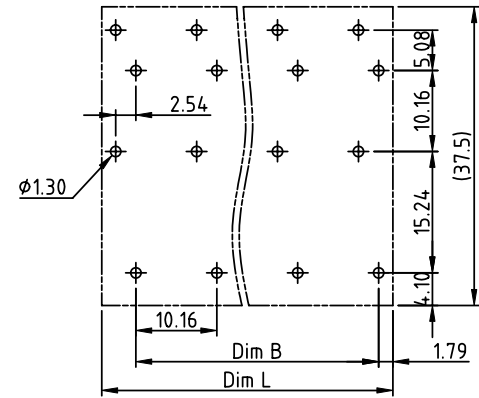
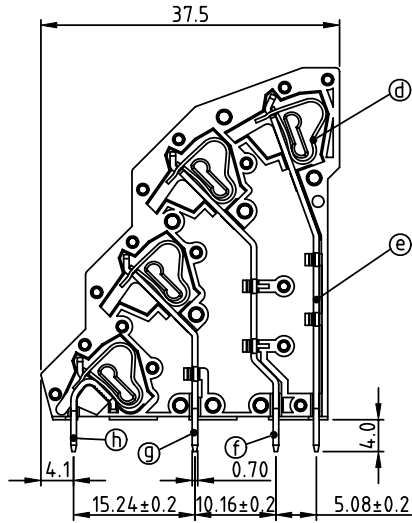
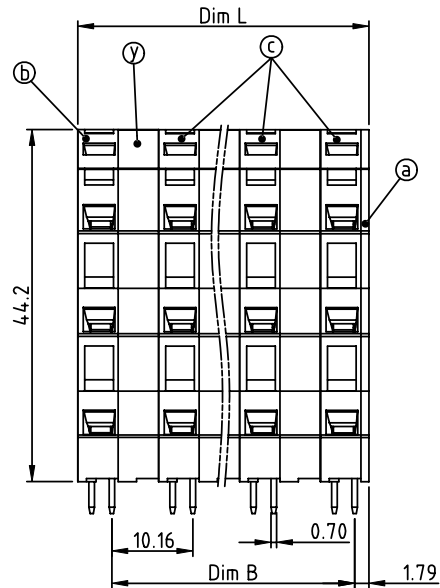


PRODUCT NUMBER	PITCH
HSxx40x100J0G	10.16mm



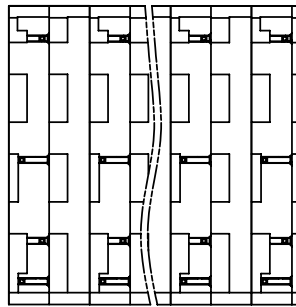
RECOMMENDED P.C.B. LAYOUT  
TOP VIEW

Material:

- Item a Insulator (Cover): Thermoplastic (UL94V-0)
- Item d Insulator (Side housing): Thermoplastic (UL94V-0)
- Item c Insulator (Middle housing): Thermoplastic (UL94V-0)
- Item e Spring clamp: Stainless steel
- Item f Solder Pin (The fourth layer): Brass, Tin plated
- Item g Solder Pin (The third layer): Brass, Tin plated
- Item h Solder Pin (The second layer): Brass, Tin plated
- Item b Solder Pin (The first layer): Brass, Tin plated
- Item y Insulator (pad board): Thermoplastic (UL94V-0)

Electrical:

- Voltage rating: 300V
- Current rating: 10A
- Wire range:
  - Solid wire (AWG): 12-28
  - Stranded wire (AWG): 12-28
  - Wire strip length: 6-7mm
- Withstanding Voltage: 1.6KV
- Operating temperature: -40°C to +115°C
- Soldering temperature: 260°C±5°C/5 Sec
- Safety Approval: cULus



PART NO.: HS xx 40 x 100J0 G

N=Number of poles  
Dim L=N/4×10.16+1.0  
Dim B=(N/4-1)×10.16

Poles	Dim L	Dim B
4x2p-4x4p	±0.25	±0.25
4x5p-4x8p	±0.35	±0.30
4x9p-4x12p	±0.45	±0.40

No. of poles	Color	RoHS compliant
0	Black (RAL9005)	(lead<4%)
End Stackable	2 Red (RAL3001/D)	In copper Alloy
08 4x2 poles	3 Orange (RAL2011/P)	
12 4x3 poles	4 Yellow (RAL1018/A)	
...	5 Green (RAL6018/T)	
48 4x12 poles	6 Blue (RAL5015/A)	
	8 Grey (RAL7004/P)	
	9 White (RAL1102)	
	C Multiple colors	

mat'l. code		surface ASME Y14.5	tolerance ASME Y14.5	projection	product family
ltr ecn no dr date		tolerances unless otherwise specified		MM	TERMINAL BLOCK
		angles	X.±0.5	scale	title
		X°±1'	X.X±0.3		TERMINAL BLOCK
			X.XX±0.1		SPRING CLAMP, 4SD WIRE INLET, 4-LEVEL, INTERLACE TYPE
		dr	EVIN ZHONG 053114	FCI	dwg no
		enr	EVIN ZHONG 053114		sheet 1 of 1
		chr	HANKE FENG 053114		size
		appd	SHI JUN 053114		A4
sheet index	revision sheet	A	1		type CUSTOMER Drawing