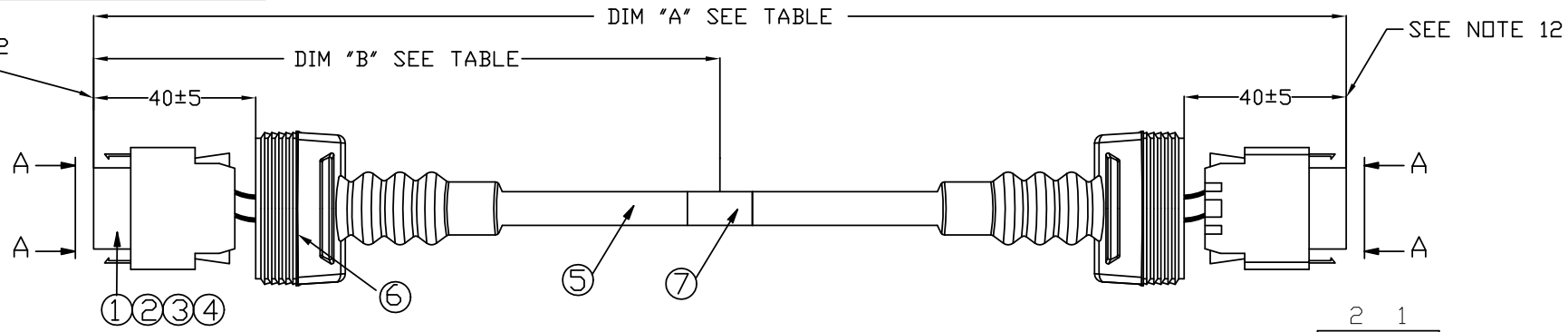


FCI CONFIDENTIAL

PRODUCT NUMBER NOTE 14	NOKIA PART NUMBER NOTE 1	DIM "A" ±10	DIM "B" ±20
10075358-F0200YYLF	994808b	2000	1000
10075358-F0118YYLF	994940a	1188	570
10075358-F0400YYLF	472246A.101	4000	2000



14. PART NUMBER DESCRIPTION:
10075358 F XX XX Y Y LF

- LF: LEAD FREE (NOTE 5)
- Y: N/A
- HARDWARE TYPE
Y: NO HARDWARE REQUIRED
- OVERALL LENGTH OF CABLE
XXXX: XX METERS, XX CENTIMETERS
0200 = 02 METERS 00 CENTIMETERS
0118 = 01 METERS 18 CENTIMETERS
- WIRE GAGE
F: 12 AWG COLOR:BLACK

WIRING		
CONN .1	CONN. 2	CONDUCTORS COLOR
1	1	black/V48RTN+
2	2	blue/V48N-

- NOTES:
- ① Contents of ID-label(Item 3):
NOKIA PART NUMBER WWYY
MANUFACTURER
Where:
WWYY=week of manufacture
MANUFACTURER=ID of manufacturer
FOR NOKIA PART NUMBER, SEE TABLE
 2. Use only approved, preferably Nokia coded materials.
 3. All changes only upon approval of design authority.
 4. This assembly must be either a UL recognized component including a minimum flammability rating of UL94V-1 for connectors,VW-1 for power cabling wiring, and be employed in accordance with its UL recognition criteria.
 - ⑤ This assembly shall comply with the European Union RoHS Directive 2002/95/EC on restriction of the use of certain hazardous substances in electrical and electronic equipment.
 6. This assembly shall comply with the Nokia substance list.
 7. All dimensions are in millimeters, unless otherwise specified.
 8. Round cable outer jacket diameter 8,3+/-0.5
 9. PIN CONFIGURATION IS ONE TO ONE
 10. Stripping and crimping instructions:
Use qualified connector manufacturer's individual instructions.
 11. Install connector seal carefully.Check connector seal condition before contacts are crimped and after connectors are installed.
 - ⑫ Cable assembly shall be UV resistant,and shall withstand an operating temperature range of -35...+80C.
 13. Contact locks, contacts and connector bodies must be from the same manufacturer.

EXAMPLE: 10075358-F0200YYLF = 12 AWG, 02 METER, 00 CENTIMETERS, NO HARDWARE REQUIRED AND LEAD FREE
15. ELECTRICAL REQUIREMENTS: NOMINAL VOLTAGE TO BE 48V DC, OPERATING RANGE TO BE 40-60V DC AND POWER IS 610W.

ITEM	Description	UNIT	Qty
7	ID Label	PC	1
6	Boot	PC	2
5	Cable 2*AWG12,conductors blue and black	M	NA
4	Secondary lock	PC	2
3	Latch	PC	4
2	Terminal for 12AWG	PC	4
1	Housing 2P	PC	2

mat'l. code		surface	tolerance	projection	product family
ltr ecn no dr date		tolerances unless otherwise specified		MM	C & A
C	N10-0165	ww	06-01'10	SEE NOTES	title
				angles	linear
				scale	2P Pwr-Blade CABLE ASSEMBLY
				dr	Jackson May1707'
				engr	Jackson May1707'
				chr	Jackson May1707'
				appd	Jack May1707'
sheet	revision	C			dwg no
index	sheet	1			sheet 1 of 1
					size
					A3
					type Customer

FCI CONFIDENTIAL