

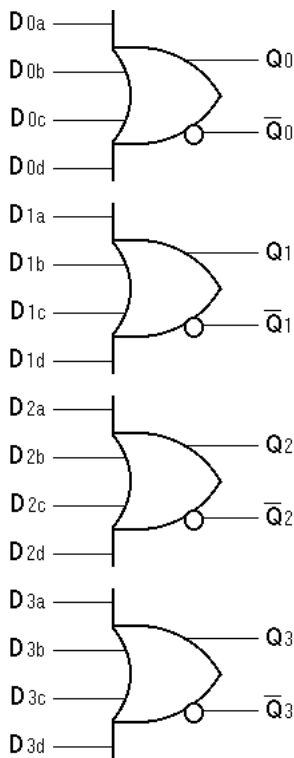
FEATURES

- 500ps max. propagation delay
- Extended 100E VEE range of -4.2V to -5.5V
- True and complementary outputs
- Fully compatible with industry standard 10KH, 100K I/O levels
- Internal 75KΩ input pulldown resistors
- Fully compatible with Motorola MC10E/100E101
- Available in 28-pin PLCC package

DESCRIPTION

The SY10/100E101 are quad 4-input OR/NOR gates designed for use in new, high-performance ECL systems. The E101 features both true and complementary outputs.

BLOCK DIAGRAM

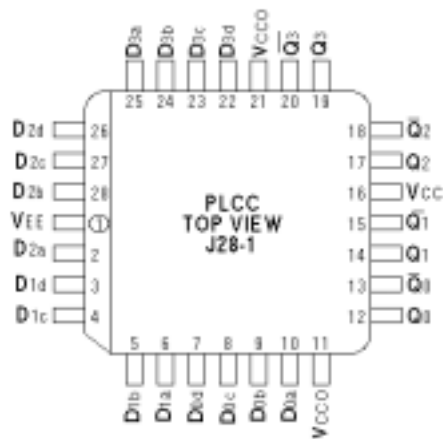


PIN NAMES

Pin	Function
Dna, Dnb, Dnc, Dnd	Data Inputs
Q0-Q3	True Outputs
$\bar{Q}0-\bar{Q}3$	Inverting Outputs
Vcco	Vcc to Output

PACKAGE/ORDERING INFORMATION

Ordering Information⁽¹⁾



28-Pin PLCC (J28-1)

Part Number	Package Type	Operating Range	Package Marking	Lead Finish
SY10E101JI	J28-1	Industrial	SY10E101JI	Sn-Pb
SY10E101JITR ⁽²⁾	J28-1	Industrial	SY10E101JI	Sn-Pb
SY100E101JI	J28-1	Industrial	SY100E101JI	Sn-Pb
SY100E101JITR ⁽²⁾	J28-1	Industrial	SY100E101JI	Sn-Pb
SY10E101JC	J28-1	Commercial	SY10E101JC	Sn-Pb
SY10E101JCTR ⁽²⁾	J28-1	Commercial	SY10E101JC	Sn-Pb
SY100E101JC	J28-1	Commercial	SY100E101JC	Sn-Pb
SY100E101JCTR ⁽²⁾	J28-1	Commercial	SY100E101JC	Sn-Pb
SY10E101JY ⁽³⁾	J28-1	Industrial	SY10E101JY with Pb-Free bar-line indicator	Matte-Sn
SY10E101JYTR ^(2, 3)	J28-1	Industrial	SY10E101JY with Pb-Free bar-line indicator	Matte-Sn
SY100E101JY ⁽³⁾	J28-1	Industrial	SY100E101JY with Pb-Free bar-line indicator	Matte-Sn
SY100E101JYTR ^(2, 3)	J28-1	Industrial	SY100E101JY with Pb-Free bar-line indicator	Matte-Sn

Notes:

1. Contact factory for die availability. Dice are guaranteed at T_A = 25°C, DC Electricals only.
2. Tape and Reel.
3. Pb-Free package is recommended for new designs.

LOGIC EQUATION

$$Q_n = D_{na} + D_{nb} + D_{nc} + D_{nd}$$

DC ELECTRICAL CHARACTERISTICS⁽¹⁾

$V_{EE} = V_{EE}(\text{Min.})$ to $V_{EE}(\text{Max.})$; $V_{CC} = V_{CCO} = \text{GND}$

Symbol	Parameter	$T_A = -40^\circ\text{C}$			$T_A = 0^\circ\text{C}$			$T_A = +25^\circ\text{C}$			$T_A = +85^\circ\text{C}$			Unit
		Min.	Typ.	Max.	Min.	Typ.	Max.	Min.	Typ.	Max.	Min.	Typ.	Max.	
I_{IH}	Input HIGH Current	—	—	150	—	—	150	—	—	150	—	—	150	μA
I_{EE}	Power Supply Current	—	—	—	—	—	—	—	—	—	—	—	—	mA
	10EL	—	30	36	—	30	36	—	30	36	—	30	36	
	100EL	—	30	36	—	30	36	—	30	36	—	35	42	

Note:

1. Specification for packaged product only.

AC ELECTRICAL CHARACTERISTICS⁽³⁾

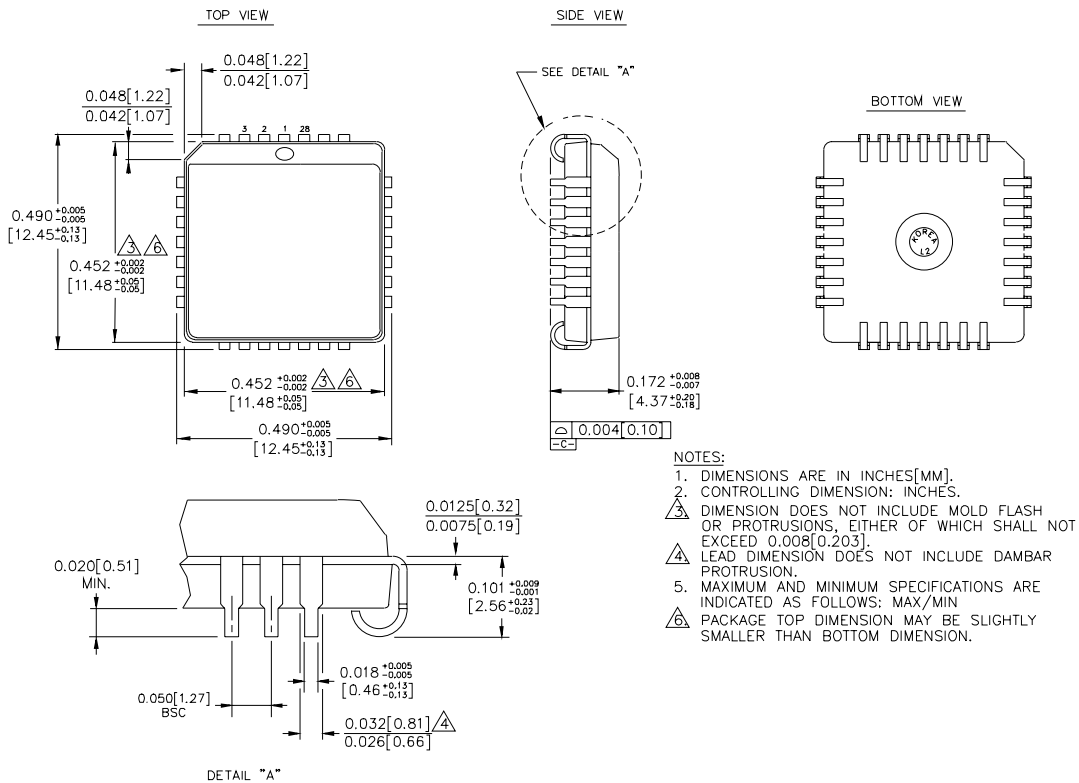
$V_{EE} = V_{EE}(\text{Min.})$ to $V_{EE}(\text{Max.})$; $V_{CC} = V_{CCO} = \text{GND}$

Symbol	Parameter	$T_A = -40^\circ\text{C}$			$T_A = 0^\circ\text{C}$			$T_A = +25^\circ\text{C}$			$T_A = +85^\circ\text{C}$			Unit
		Min.	Typ.	Max.	Min.	Typ.	Max.	Min.	Typ.	Max.	Min.	Typ.	Max.	
t_{PD}	Propagation Delay to Output D to Q	150	—	550	200	350	500	200	350	500	200	350	500	ps
t_{skew}	Within-Device Skew ⁽¹⁾	—	50	—	—	50	—	—	50	—	—	50	—	ps
	Within-Gate Skew ⁽²⁾	—	25	—	—	25	—	—	25	—	—	25	—	ps
t_r t_f	Rise/Fall Time 20% to 80%	275	—	625	300	380	575	300	380	575	300	380	575	ps

Notes:

1. Within-device skew is defined as identical transitions on similar paths through a device.
2. Within-gate skew is defined as the variation in propagation delays through a single gate when driven from its different inputs.
3. Specification for packaged product only.

28-PIN PLCC (J28-1)



Rev. 03

MICREL, INC. 2180 FORTUNE DRIVE SAN JOSE, CA 95131 USA

TEL + 1 (408) 944-0800 FAX + 1 (408) 474-1000 WEB <http://www.micrel.com>

The information furnished by Micrel in this data sheet is believed to be accurate and reliable. However, no responsibility is assumed by Micrel for its use. Micrel reserves the right to change circuitry and specifications at any time without notification to the customer.

Micrel Products are not designed or authorized for use as components in life support appliances, devices or systems where malfunction of a product can reasonably be expected to result in personal injury. Life support devices or systems are devices or systems that (a) are intended for surgical implant into the body or (b) support or sustain life, and whose failure to perform can be reasonably expected to result in a significant injury to the user. A Purchaser's use or sale of Micrel Products for use in life support appliances, devices or systems is at Purchaser's own risk and Purchaser agrees to fully indemnify Micrel for any damages resulting from such use or sale.

© 2006 Micrel, Incorporated.