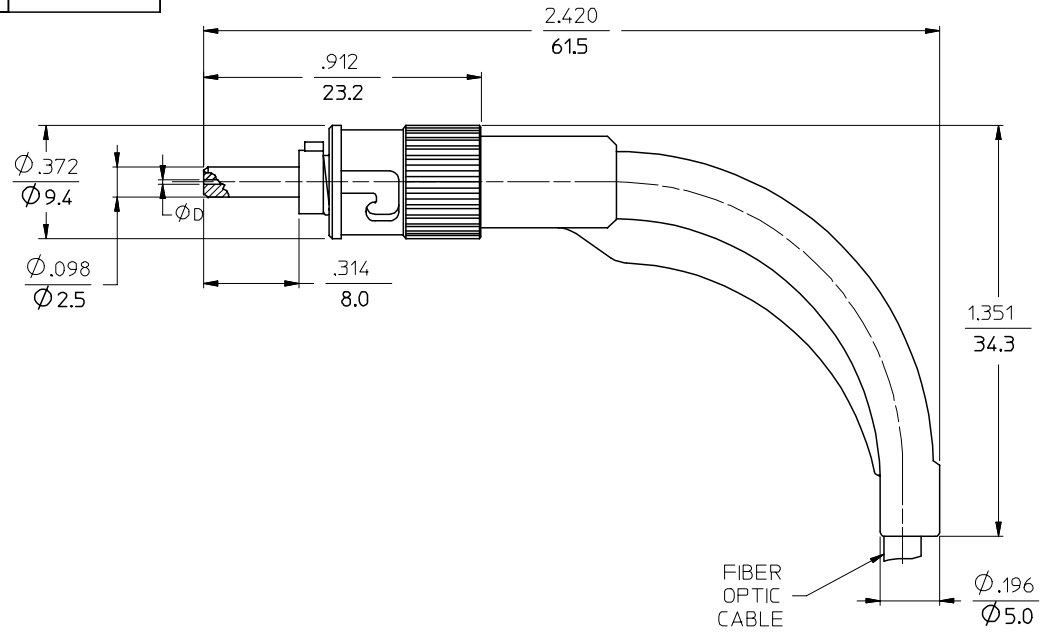


10	9	8	7	6	5	4	3	2	1	
P/N of CONNECTOR	D (In)	MATERIAL of FERRULE	DIAMETER of CABLE	COLOR of BOOT	CABLE TYPE					
106012-0400	127	Zr PLUS	3 mm	BLACK	MULTIMODE					
106012-0410*				RED						
106012-0440				BLACK						
106012-3400	128	Zr		RED		SINGLE MODE				
106012-3440				BLACK						
106012-5400				RED						
106012-5440	126		Zr	BLACK	SINGLE MODE					
106012-7400				RED						
106012-7440				BLACK						
106012-7440	127			RED						



NOTE:

*1. P/N 106012-0410 IS BULK PACKED IN QUANTITIES OF 100 PCS.

ENTER DESCRIPTION EC NO: MF2006-0490 DRAWN: RPACIFICI CHKD: 2006/02/09 APPR: IGUMIN 2006/02/09	QUALITY SYMBOLS ▽=0 ▽=0	GENERAL TOLERANCES (UNLESS SPECIFIED)		DIMENSION STYLE	SCALE	DESIGN UNITS	THIRD ANGLE PROJECTION	
		mm	INCH	IN/MM	4:1	INCH		
		4 PLACES ± ---	± ---	DRAWN BY	DATE	TITLE		
		3 PLACES ± ---	± ---	RPACIFICI	2006/01/24	ST CONNECTOR		
2 PLACES ± ---	± ---	CHECKED BY	DATE	APPROVED BY				
1 PLACE ± ---	± ---	ANGULAR ±1/2°		DATE	MOLEX INCORPORATED			
DRAFT WHERE APPLICABLE MUST REMAIN WITHIN DIMENSIONS		MATERIAL NO.	DOCUMENT NO.		SHEET NO.			
		SEE TABLE	SD-106012-XXX0		1 OF 1			
		SIZE B	THIS DRAWING CONTAINS INFORMATION THAT IS PROPRIETARY TO MOLEX INCORPORATED AND SHOULD NOT BE USED WITHOUT WRITTEN PERMISSION					