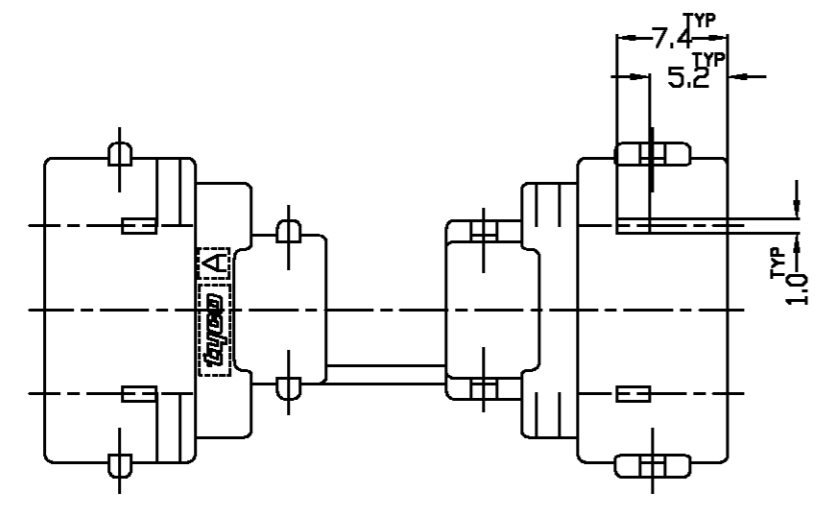
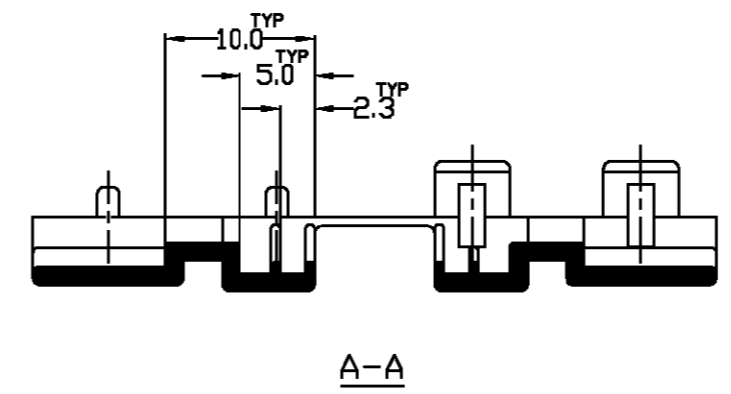
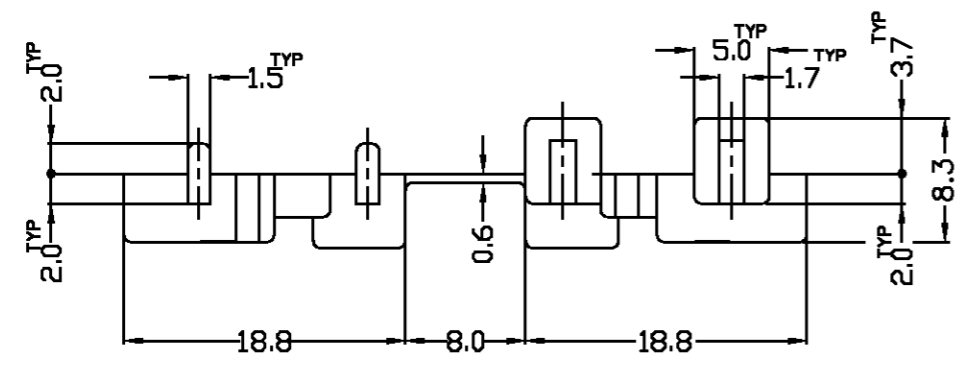
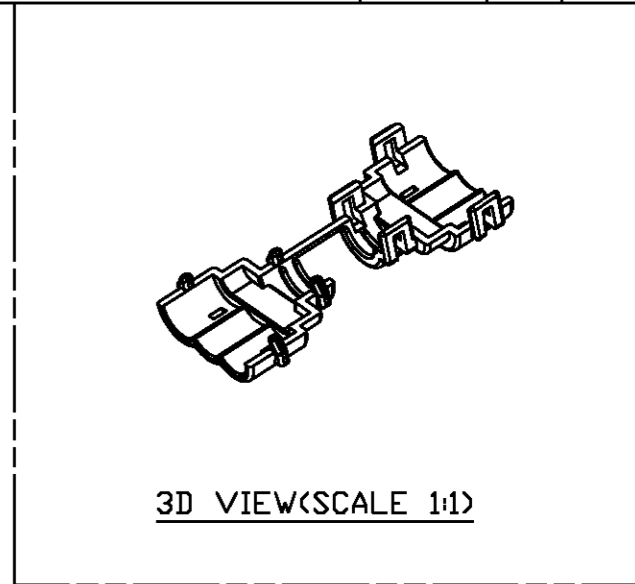
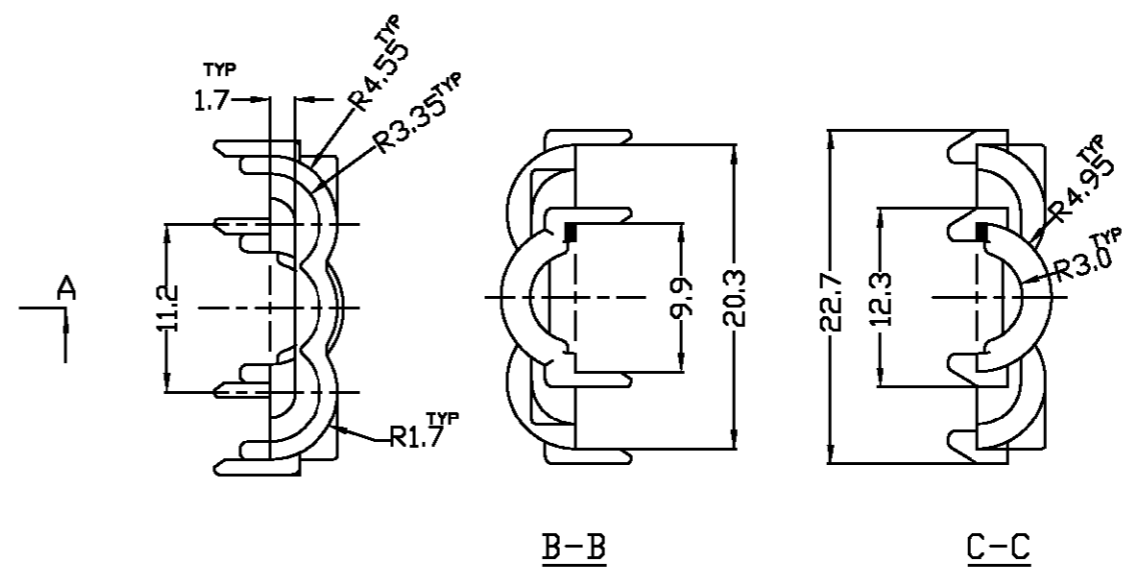
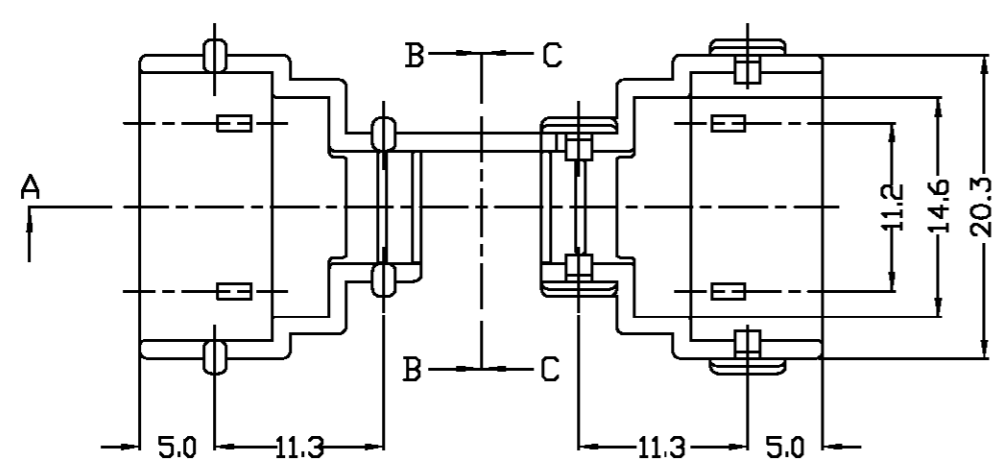


LOC		DIST		REVISIONS			
P	LTR	DESCRIPTION		DATE	DWN	APVD	
	□	RELEASED(FC00-0142-03)		06/OCT/'03	YD.	CS	



- NOTE
1. APPLICABLE CORRUGATOR DIAMETER : $\phi 5.0$
 2. APPLICABLE CAP ASS'Y P/N : 936292-2
PLUG ASS'Y P/N : 936251-2

THIS DRAWING IS A CONTROLLED DOCUMENT FOR TYCO ELECTRONICS CORPORATION. IT IS SUBJECT TO CHANGE AND THE CONTROLLING ENGINEERING ORGANIZATION SHOULD BE CONTACTED FOR THE LATEST REVISION.

DIMENSIONS: mm	TOLERANCES UNLESS OTHERWISE SPECIFIED: 0 <XX<10 ± 0.2 10 <XX<30 ± 0.25 30 <XX ± 0.3 ANGLES ± 3°
3rd ANGLE PROJECTION	
MATERIAL SEE TABLE	COLOR SEE TABLE

DWN : YD LEE
CHK : BM JANG
APVD : CS LEE
PRODUCT SPEC
APPLICATION SPEC
WEIGHT
CUSTOMER DRAWING

NYLON 66	936312-1	BLACK
MATERIAL	PART NUMBER	COLOR
tyco Electronics		AMP KOREA, kyungsan, korea
NAME COVER HSG FOR .090 SEALED 3P PLUG CONN'R		
SIZE	CAGE CODE	DRAWING NO
A3	00779	C= 936312
RESTRICTED TO		REV □
SCALE 2/1		SHEET 1 OF 1