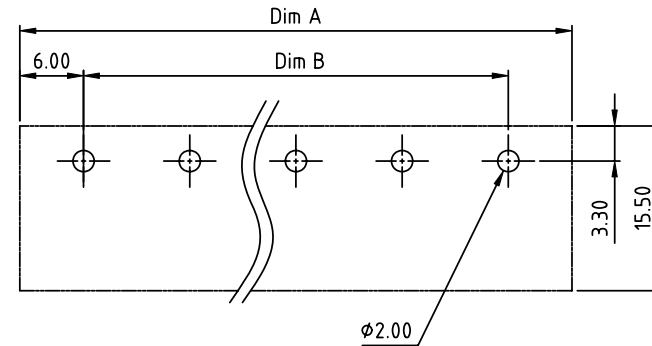
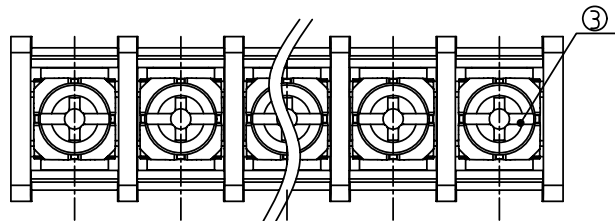
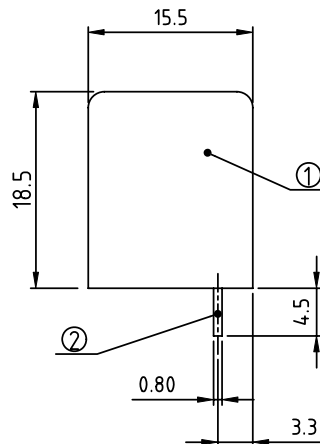
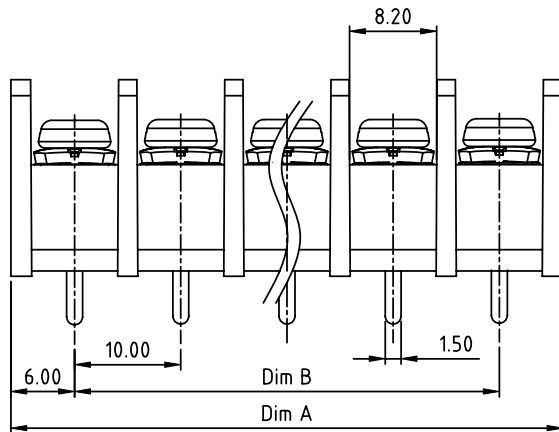


PRODUCT NUMBER	PITCH
YK612xx0x0JOG	10.00 mm



RECOMMENDED P.C.B LAYOUT  
TOP VIEW



MATERIALS ELECTRICAL  
 RATED VOLTAGE & CURRENT: 300 V, 25 A  
 WITHSTAND VOLTAGE: AC 2000 V/Min  
 INSULATION RESISTANCE: 1000 MΩ OR MORE AT DC 500 V  
 OPERATING TEMPERATURE RANG: -40 °C ~ +115 °C  
 SCREW TORQUE VALUE: 8.8 Lb-In.  
 WIRE RANGE: 22 - 12 AWG  
 1) HOUSING: Thermoplastic, UL 94 V-0 BLACK  
 2) TERMINAL: BRASS, 0.8t  
 3) TERMINAL SCREWS: STEEL, M3.5

APPROVAL: US

DIMENSION

Dim A	Nx10.0+2.0
Dim B	(N-1)x10.0

N=Number of poles

Poles	Tolerance
2p-5p	±0.20
6p-10p	±0.25
11p-16p	±0.35
17p-24p	±0.40
25p-32p	±0.50

PART NO.: YK 612xx 0 x 0 JOG

No. of poles  
 02 2 poles  
 03 3 poles  
 ... ..  
 32 32 poles

Plated

Code	Terminal	Screw
0	G/F	G/F
1	G/F	Zinc
2	Tin	G/F
3	Tin	Zinc

RoHS compliant  
 (lead<4%)  
 In copper Alloy

mat'l. code		surface ASME Y14.5	tolerance ASME Y14.5	projection 	product family TERMINAL BLOCK
ltr	ecn no	dr	date	tolerances unless otherwise specified	title TERMINAL BLOCK
				angles $\phi$ $\pm$	BARRIER TYPE
				X*±1"	scale
				dr EVAN LU 061614	sheet 1 of 1
				enr EVAN LU 061614	size A4
				chr HANKE FENG 061614	YK612xx0x0JOG
				appd SHI JUN 061614	type CUSTOMER Drawing
sheet index	revision	A			
	sheet	1			