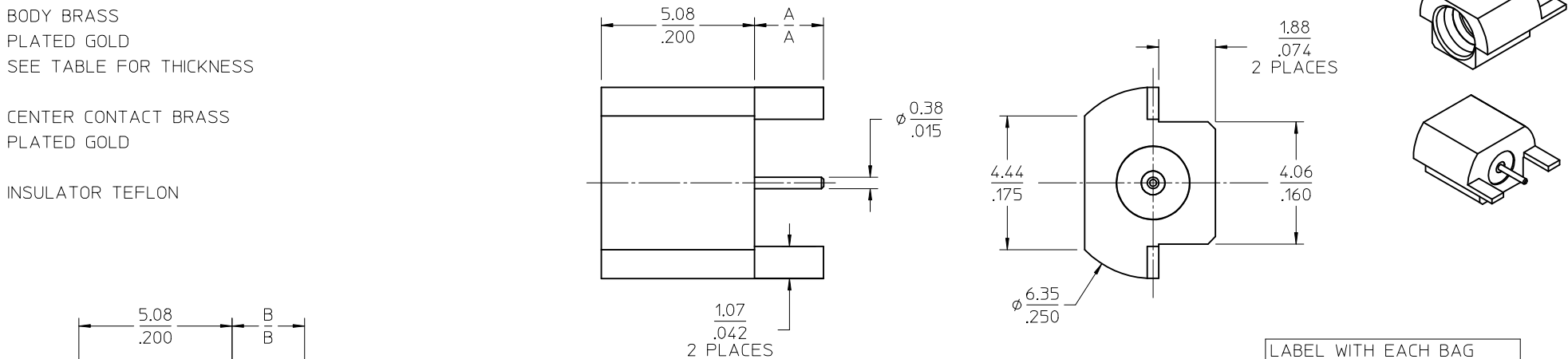


MATERIALS AND FINISHES

BODY BRASS
 PLATED GOLD
 SEE TABLE FOR THICKNESS

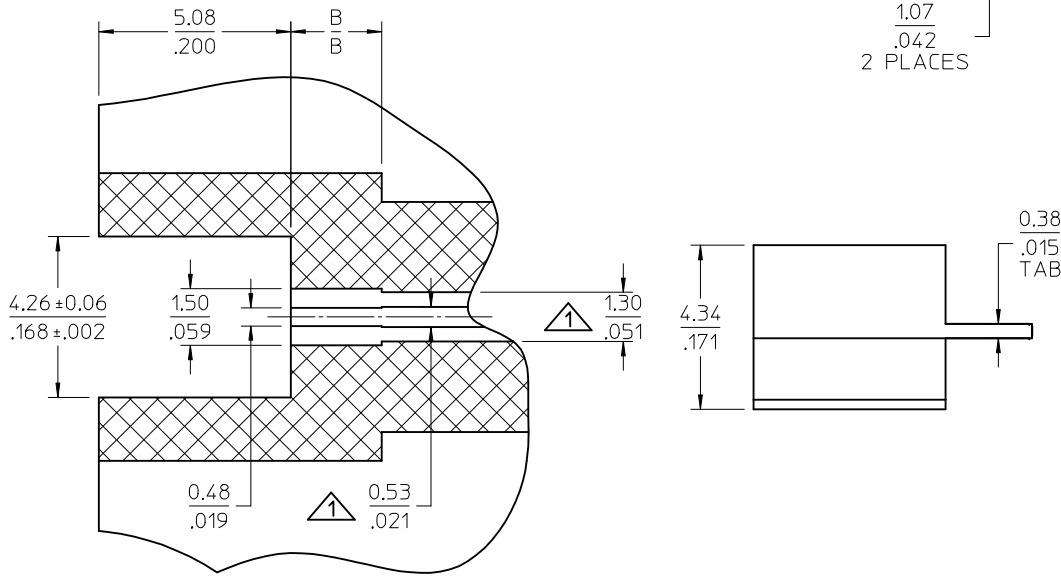
CENTER CONTACT BRASS
 PLATED GOLD

INSULATOR TEFLON



LABEL WITH EACH BAG
 FOR 73415-3595

PART NUMBER: 73415-3591
 ORDER NUMBER: 73415-3595
 MOLEX
 DATE: YYWW



RECOMMENDED PCB LAYOUT

DIMENSIONS APPLICABLE FOR ROGERS 4350
 PCB MATERIAL ONLY

73415-3596	73415-3591 1000 PCS PER REEL (TAPE & REEL PACK)
73415-3595	73415-3591 ONE PIECE PER BAG WITH LABEL
73415-3593	73415-3591 20 PCS PER SMALL TRAY 89707-0308
73415-3592	73415-3590 20 PCS PER SMALL TRAY 89707-0308
73415-3591	73415-3591 80 PCS PER SMALL TRAY 89707-0190
73415-3590	73415-3590 80 PCS PER SMALL TRAY 89707-0190
PART NO.	PACKAGING

73415-3594	.090 REF	2.29 REF	.095	2.41	30u" GOLD
73415-3591	.050 REF	1.27 REF	.055	1.40	10u" GOLD
73415-3590	.090 REF	2.29 REF	.095	2.41	10u" GOLD
PART NO.	IN	MM	IN	MM	BODY PLATING
DIM A			DIM B		

PS-89675-3320	PRODUCT SPECIFICATION
MIL-STD-348A, FIG. 326-3	INTERFACE
SPECIFICATION	DESCRIPTION

CHG: ADDED -3596 & PACKAGING PER PDR12091181
 EC NO: URF2014-0195 2012/09/27
 DRWNR:YEH
 CHKD:
 APPR:MHUANG 2013/10/07

DESCRIPTION

QUALITY SYMBOLS

REV: A8

GENERAL TOLERANCES (UNLESS SPECIFIED)

	mm	INCH
4 PLACES	± .005	± .0002
3 PLACES	± .004	± .00015
2 PLACES	± .003	± .0001
1 PLACE	± .002	± .000075
0 PLACE	± .001	± .00005

ANGULAR ± 2°

DRAFT WHERE APPLICABLE MUST REMAIN WITHIN DIMENSIONS

DIMENSION STYLE: MM/IN

SCALE: 10:1

DESIGN UNITS: METRIC

THIRD ANGLE PROJECTION

DRAWN BY: SSS DATE: 2007/07/18

CHECKED BY: TEL DATE: 2007/07/18

APPROVED BY: GMH DATE: 2007/07/18

MATERIAL NO. SEE TABLE

SIZE: C

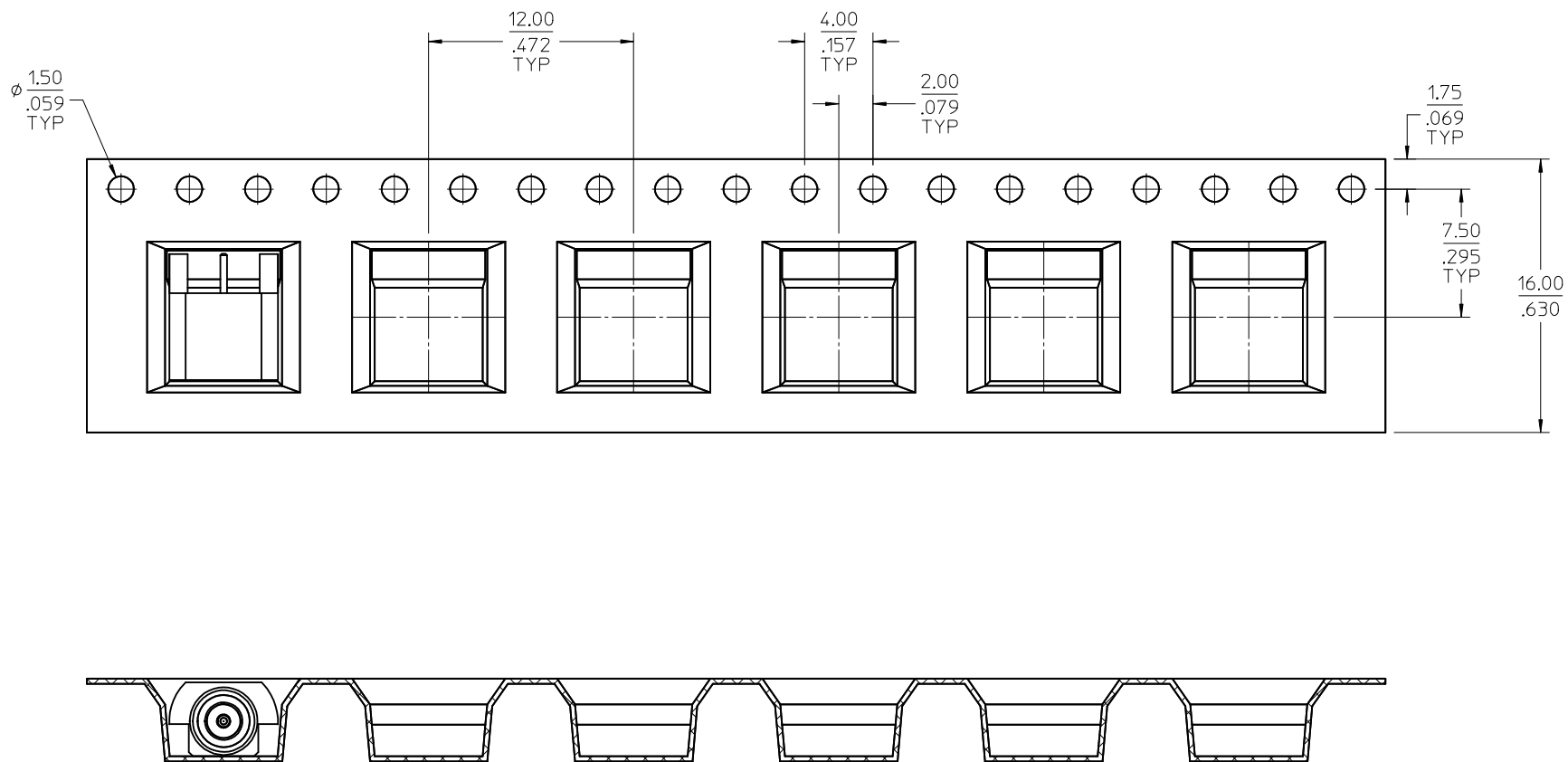
TITLE: SMP PLUG, PCB EDGEMOUNT
 50 OHMS LIMITED DETENT
 SMP-P/PCB

molex

DOCUMENT NO. SD-73415-359

SHEET NO. 1 OF 3

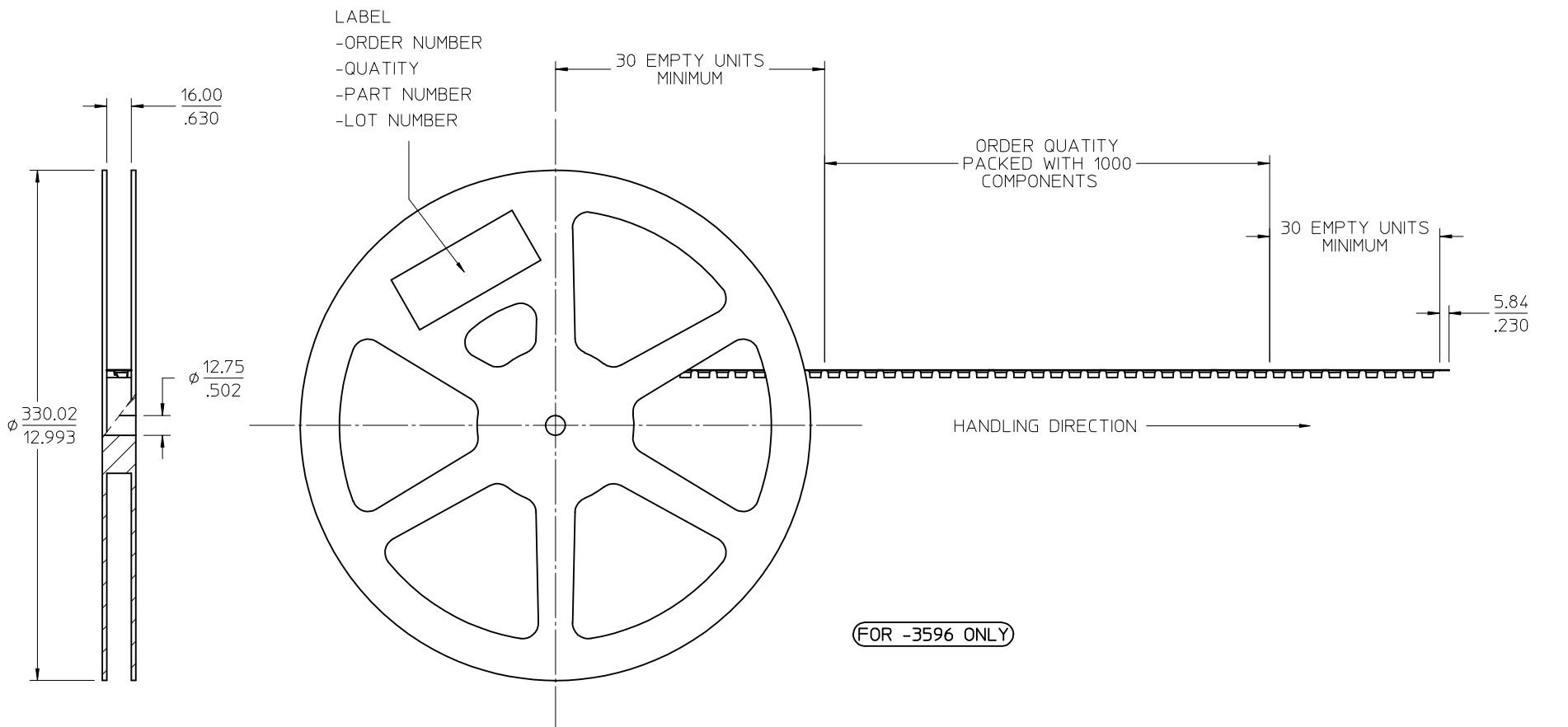
THIS DRAWING CONTAINS INFORMATION THAT IS PROPRIETARY TO MOLEX INCORPORATED AND SHOULD NOT BE USED WITHOUT WRITTEN PERMISSION



CHG:SEE SHEET 1 EC NO: URF2014-0195 DRAWN:RYEH CHKD: APPR:MHUANG	DESCRIPTION 2013/10/07	QUALITY SYMBOLS	GENERAL TOLERANCES (UNLESS SPECIFIED)	DIMENSION STYLE	SCALE	DESIGN UNITS	THIRD ANGLE PROJECTION																
		$\nabla = 0$ $\nabla = 0$ $\nabla = 0$	<table border="1"> <thead> <tr> <th></th> <th>mm</th> <th>INCH</th> </tr> </thead> <tbody> <tr> <td>4 PLACES</td> <td>± .010</td> <td>± .0004</td> </tr> <tr> <td>3 PLACES</td> <td>± .015</td> <td>± .0006</td> </tr> <tr> <td>2 PLACES</td> <td>± .020</td> <td>± .0008</td> </tr> <tr> <td>1 PLACE</td> <td>± .030</td> <td>± .0012</td> </tr> <tr> <td>0 PLACE</td> <td>± .040</td> <td>± .0016</td> </tr> </tbody> </table>		mm	INCH	4 PLACES	± .010	± .0004	3 PLACES	± .015	± .0006	2 PLACES	± .020	± .0008	1 PLACE	± .030	± .0012	0 PLACE	± .040	± .0016	MM/IN	5:1
	mm	INCH																					
4 PLACES	± .010	± .0004																					
3 PLACES	± .015	± .0006																					
2 PLACES	± .020	± .0008																					
1 PLACE	± .030	± .0012																					
0 PLACE	± .040	± .0016																					
REV A8			ANGULAR ± 2°	DRAWN BY SSS	DATE 2007/07/18	TITLE SMP PLUG, PCB EDGEMOUNT 50 OHMS LIMITED DETENT SMP-P/PCB	SHEET NO. 2 OF 3																
			DRAFT WHERE APPLICABLE MUST REMAIN WITHIN DIMENSIONS	CHECKED BY TEL	DATE 2007/07/18			molex DOCUMENT NO. SD-73415-359															
				APPROVED BY GMH	DATE 2007/07/18																		
				MATERIAL NO.																			
				SIZE C	THIS DRAWING CONTAINS INFORMATION THAT IS PROPRIETARY TO MOLEX INCORPORATED AND SHOULD NOT BE USED WITHOUT WRITTEN PERMISSION																		

13 12 11 10 9 8 7 6 5 4 3 2 1

J I H G F E D C B A



CHG:SEE SHEET 1 EC NO: URF2014-0195 DRAWN BY: DRWNR/REH CHKD: APPR:MHUANG 2012/09/27 2013/01/17 A8	QUALITY SYMBOLS ▽=0 ▽=0 ▽=0	GENERAL TOLERANCES (UNLESS SPECIFIED) <table border="1"> <thead> <tr> <th></th> <th>mm</th> <th>INCH</th> </tr> </thead> <tbody> <tr> <td>4 PLACES</td> <td>± .---</td> <td>± .---</td> </tr> <tr> <td>3 PLACES</td> <td>± .---</td> <td>± .---</td> </tr> <tr> <td>2 PLACES</td> <td>± .---</td> <td>± .---</td> </tr> <tr> <td>1 PLACE</td> <td>± .---</td> <td>± .---</td> </tr> <tr> <td>0 PLACE</td> <td>±</td> <td>±</td> </tr> </tbody> </table>		mm	INCH	4 PLACES	± .---	± .---	3 PLACES	± .---	± .---	2 PLACES	± .---	± .---	1 PLACE	± .---	± .---	0 PLACE	±	±	DIMENSION STYLE MM/IN	SCALE 1:2	DESIGN UNITS METRIC	THIRD ANGLE PROJECTION
		mm	INCH																					
	4 PLACES	± .---	± .---																					
	3 PLACES	± .---	± .---																					
2 PLACES	± .---	± .---																						
1 PLACE	± .---	± .---																						
0 PLACE	±	±																						
DESCRIPTION ANGULAR ± 2 °	DRAFT WHERE APPLICABLE MUST REMAIN WITHIN DIMENSIONS	DRAWN BY: SSS DATE: 2007/07/18	CHECKED BY: TEL DATE: 2007/07/18	APPROVED BY: GMH DATE: 2007/07/18	TITLE SMP PLUG, PCB EDGEMOUNT 50 OHMS LIMITED DETENT SMP-P/PCB																			
MATERIAL NO. SEE TABLE	DOCUMENT NO. SD-73415-359	molex		SHEET NO. 3 OF 3	THIS DRAWING CONTAINS INFORMATION THAT IS PROPRIETARY TO MOLEX INCORPORATED AND SHOULD NOT BE USED WITHOUT WRITTEN PERMISSION																			