



# 930 Series Miniature Bayonet Relampable Lampholders Ø 0.691" (17.5mm)



Relampable lampholders accommodate T-3 1/4 and T-2 incandescent lamps and T-3 1/4 neon lamps



## Applications

- panel indication
- electrical panels
- entertainment
- industrial
- appliances
- displays

## Key Features

- For panel hole diameter: 0.691" (17.5mm)
- Terminations available: solder lug, screw type or wire leads
- Variety of connection options for fast, easy installation.
- Can be mounted in D shaped holes
- Resistors are available in order to adjust the brightness
- Accommodate T-3 1/4 and T-2 incandescent lamps and T-2 neon lamps
- Available in seven lenses colors (red, green, white, blue, clear, amber and yellow).
- Robust lampholder assembly
- Drip proof option
- Finish available (lampholders): e-coat black, bright nickel, satin chrome or polished chrome
- Lead wire options with custom wire length available.
- RoHS and REACH Compliant.

# Ordering Data

| Series Number                             | Lampholders  |            |        |            | Lens Cap   |             |            |   |                 |              |                         |                 |   |   |   |              |   |               |   |              |   |                 |   |   |      |   |         |   |         |   |         |   |         |   |          |   |  |                          |  |                     |                             |                                |                             |                                |                             |                       |                             |                       |                             |                                  |                             |                                  |                             |                             |  |                     |                             |                            |                             |                            |                             |                                   |                             |                      |   |                         |   |   |                            |  |    |       |    |                   |    |           |    |                    |    |     |    |       |    |        |                          |  |    |       |    |      |    |       |    |     |    |       |    |        |                                  |  |    |       |    |      |    |           |    |       |    |     |    |        |
|---|--|------------|--------|------------|--|-------------|------------|---|-----------------|--------------|-------------------------|-----------------|---|---|---|--------------|---|---------------|---|--------------|---|-----------------|---|---|------|---|---------|---|---------|---|---------|---|---------|---|----------|---|--|--------------------------|--|---------------------|-----------------------------|--------------------------------|-----------------------------|--------------------------------|-----------------------------|-----------------------|-----------------------------|-----------------------|-----------------------------|----------------------------------|-----------------------------|----------------------------------|-----------------------------|-----------------------------|--|---------------------|-----------------------------|----------------------------|-----------------------------|----------------------------|-----------------------------|-----------------------------------|-----------------------------|----------------------|---|-------------------------|---|---|----------------------------|--|----|-------|----|-------------------|----|-----------|----|--------------------|----|-----|----|-------|----|--------|--------------------------|--|----|-------|----|------|----|-------|----|-----|----|-------|----|--------|----------------------------------|--|----|-------|----|------|----|-----------|----|-------|----|-----|----|--------|
|   | Termination  | Features   | Finish | Resistor   | Lens Style   | Retainer    | Lens Color |   |                 |              |                         |                 |   |   |   |              |   |               |   |              |   |                 |   |   |      |   |         |   |         |   |         |   |         |   |          |   |  |                          |  |                     |                             |                                |                             |                                |                             |                       |                             |                       |                             |                                  |                             |                                  |                             |                             |  |                     |                             |                            |                             |                            |                             |                                   |                             |                      |   |                         |   |   |                            |  |    |       |    |                   |    |           |    |                    |    |     |    |       |    |        |                          |  |    |       |    |      |    |       |    |     |    |       |    |        |                                  |  |    |       |    |      |    |           |    |       |    |     |    |        |
| 930                                       |  |            |        |            |  |             |            |   |                 |              |                         |                 |   |   |   |              |   |               |   |              |   |                 |   |   |      |   |         |   |         |   |         |   |         |   |          |   |  |                          |  |                     |                             |                                |                             |                                |                             |                       |                             |                       |                             |                                  |                             |                                  |                             |                             |  |                     |                             |                            |                             |                            |                             |                                   |                             |                      |   |                         |   |   |                            |  |    |       |    |                   |    |           |    |                    |    |     |    |       |    |        |                          |  |    |       |    |      |    |       |    |     |    |       |    |        |                                  |  |    |       |    |      |    |           |    |       |    |     |    |        |
|   | <table border="1"> <tr><td>Solder Lug</td><td>4</td></tr> <tr><td>Screw Type</td><td>5</td></tr> <tr><td>Wire Leads</td><td>W</td></tr> </table> | Solder Lug | 4      | Screw Type | 5  | Wire Leads  | W          | <table border="1"> <tr><td>None (Standard)</td><td>0</td></tr> <tr><td>Drip Proof<sup>1</sup></td><td>2</td></tr> <tr><td>D Hole Mounting &amp; Drip Proof<sup>1</sup></td><td>3</td></tr> </table> | None (Standard) | 0            | Drip Proof <sup>1</sup> | 2               | D Hole Mounting & Drip Proof <sup>1</sup> | 3 | <table border="1"> <tr><td>E-Coat Black</td><td>4</td></tr> <tr><td>Bright Nickel</td><td>5</td></tr> <tr><td>Satin Chrome</td><td>6</td></tr> <tr><td>Polished Chrome</td><td>7</td></tr> </table> | E-Coat Black | 4 | Bright Nickel | 5 | Satin Chrome | 6 | Polished Chrome | 7 | <table border="1"> <tr><td>None</td><td>X</td></tr> <tr><td>27K OHM</td><td>R</td></tr> <tr><td>33K OHM</td><td>S</td></tr> <tr><td>56K OHM</td><td>C</td></tr> <tr><td>68K OHM</td><td>F</td></tr> <tr><td>100K OHM</td><td>E</td></tr> </table> | None | X | 27K OHM | R | 33K OHM | S | 56K OHM | C | 68K OHM | F | 100K OHM | E | <table border="1"> <tr><td colspan="2"><b>Retainer Required</b></td></tr> <tr><td>Flat<sup>3,7</sup></td><td>72 <input type="checkbox"/></td></tr> <tr><td>Flat Drip Proof<sup>3,7</sup></td><td>86 <input type="checkbox"/></td></tr> <tr><td>Flat Drip Proof<sup>4,7</sup></td><td>87 <input type="checkbox"/></td></tr> <tr><td>Convex<sup>3,7</sup></td><td>78 <input type="checkbox"/></td></tr> <tr><td>Convex<sup>4,7</sup></td><td>88 <input type="checkbox"/></td></tr> <tr><td>Convex Drip Proof<sup>3,7</sup></td><td>79 <input type="checkbox"/></td></tr> <tr><td>Convex Drip Proof<sup>4,7</sup></td><td>89 <input type="checkbox"/></td></tr> <tr><td colspan="2"><b>No Retainer Required</b></td></tr> <tr><td>Dome<sup>3,7</sup></td><td>71 <input type="checkbox"/></td></tr> <tr><td>Cylindrical<sup>3,7</sup></td><td>73 <input type="checkbox"/></td></tr> <tr><td>Fluted Dome<sup>5,8</sup></td><td>74 <input type="checkbox"/></td></tr> <tr><td>Fluted Cylindrical<sup>3,8</sup></td><td>76 <input type="checkbox"/></td></tr> <tr><td>No Retainer Required</td><td>0</td></tr> <tr><td>Dripproof (with O-Ring)</td><td>8</td></tr> </table> | <b>Retainer Required</b> |  | Flat <sup>3,7</sup> | 72 <input type="checkbox"/> | Flat Drip Proof <sup>3,7</sup> | 86 <input type="checkbox"/> | Flat Drip Proof <sup>4,7</sup> | 87 <input type="checkbox"/> | Convex <sup>3,7</sup> | 78 <input type="checkbox"/> | Convex <sup>4,7</sup> | 88 <input type="checkbox"/> | Convex Drip Proof <sup>3,7</sup> | 79 <input type="checkbox"/> | Convex Drip Proof <sup>4,7</sup> | 89 <input type="checkbox"/> | <b>No Retainer Required</b> |  | Dome <sup>3,7</sup> | 71 <input type="checkbox"/> | Cylindrical <sup>3,7</sup> | 73 <input type="checkbox"/> | Fluted Dome <sup>5,8</sup> | 74 <input type="checkbox"/> | Fluted Cylindrical <sup>3,8</sup> | 76 <input type="checkbox"/> | No Retainer Required | 0 | Dripproof (with O-Ring) | 8 | <table border="1"> <tr><td colspan="2">Transparent (nondiffusing)</td></tr> <tr><td>AN</td><td>Amber</td></tr> <tr><td>BN</td><td>Blue<sup>6</sup></td></tr> <tr><td>CN</td><td>Colorless</td></tr> <tr><td>GN</td><td>Green<sup>6</sup></td></tr> <tr><td>RN</td><td>Red</td></tr> <tr><td>WN</td><td>White</td></tr> <tr><td>YN</td><td>Yellow</td></tr> <tr><td colspan="2">Translucent<sup>6</sup></td></tr> <tr><td>AT</td><td>Amber</td></tr> <tr><td>BT</td><td>Blue</td></tr> <tr><td>GT</td><td>Green</td></tr> <tr><td>RT</td><td>Red</td></tr> <tr><td>WT</td><td>White</td></tr> <tr><td>YT</td><td>Yellow</td></tr> <tr><td colspan="2">Diffusing (Frosted)<sup>6</sup></td></tr> <tr><td>AD</td><td>Amber</td></tr> <tr><td>BD</td><td>Blue</td></tr> <tr><td>CD</td><td>Colorless</td></tr> <tr><td>GD</td><td>Green</td></tr> <tr><td>RD</td><td>Red</td></tr> <tr><td>YD</td><td>Yellow</td></tr> </table> | Transparent (nondiffusing) |  | AN | Amber | BN | Blue <sup>6</sup> | CN | Colorless | GN | Green <sup>6</sup> | RN | Red | WN | White | YN | Yellow | Translucent <sup>6</sup> |  | AT | Amber | BT | Blue | GT | Green | RT | Red | WT | White | YT | Yellow | Diffusing (Frosted) <sup>6</sup> |  | AD | Amber | BD | Blue | CD | Colorless | GD | Green | RD | Red | YD | Yellow |
| Solder Lug                                | 4  |            |        |            |  |             |            |   |                 |              |                         |                 |   |   |   |              |   |               |   |              |   |                 |   |   |      |   |         |   |         |   |         |   |         |   |          |   |  |                          |  |                     |                             |                                |                             |                                |                             |                       |                             |                       |                             |                                  |                             |                                  |                             |                             |  |                     |                             |                            |                             |                            |                             |                                   |                             |                      |   |                         |   |   |                            |  |    |       |    |                   |    |           |    |                    |    |     |    |       |    |        |                          |  |    |       |    |      |    |       |    |     |    |       |    |        |                                  |  |    |       |    |      |    |           |    |       |    |     |    |        |
| Screw Type                                | 5  |            |        |            |  |             |            |   |                 |              |                         |                 |   |   |   |              |   |               |   |              |   |                 |   |   |      |   |         |   |         |   |         |   |         |   |          |   |  |                          |  |                     |                             |                                |                             |                                |                             |                       |                             |                       |                             |                                  |                             |                                  |                             |                             |  |                     |                             |                            |                             |                            |                             |                                   |                             |                      |   |                         |   |   |                            |  |    |       |    |                   |    |           |    |                    |    |     |    |       |    |        |                          |  |    |       |    |      |    |       |    |     |    |       |    |        |                                  |  |    |       |    |      |    |           |    |       |    |     |    |        |
| Wire Leads                                | W  |            |        |            |  |             |            |   |                 |              |                         |                 |   |   |   |              |   |               |   |              |   |                 |   |   |      |   |         |   |         |   |         |   |         |   |          |   |  |                          |  |                     |                             |                                |                             |                                |                             |                       |                             |                       |                             |                                  |                             |                                  |                             |                             |  |                     |                             |                            |                             |                            |                             |                                   |                             |                      |   |                         |   |   |                            |  |    |       |    |                   |    |           |    |                    |    |     |    |       |    |        |                          |  |    |       |    |      |    |       |    |     |    |       |    |        |                                  |  |    |       |    |      |    |           |    |       |    |     |    |        |
| None (Standard)                           | 0  |            |        |            |  |             |            |   |                 |              |                         |                 |   |   |   |              |   |               |   |              |   |                 |   |   |      |   |         |   |         |   |         |   |         |   |          |   |  |                          |  |                     |                             |                                |                             |                                |                             |                       |                             |                       |                             |                                  |                             |                                  |                             |                             |  |                     |                             |                            |                             |                            |                             |                                   |                             |                      |   |                         |   |   |                            |  |    |       |    |                   |    |           |    |                    |    |     |    |       |    |        |                          |  |    |       |    |      |    |       |    |     |    |       |    |        |                                  |  |    |       |    |      |    |           |    |       |    |     |    |        |
| Drip Proof <sup>1</sup>                   | 2  |            |        |            |  |             |            |   |                 |              |                         |                 |   |   |   |              |   |               |   |              |   |                 |   |   |      |   |         |   |         |   |         |   |         |   |          |   |  |                          |  |                     |                             |                                |                             |                                |                             |                       |                             |                       |                             |                                  |                             |                                  |                             |                             |  |                     |                             |                            |                             |                            |                             |                                   |                             |                      |   |                         |   |   |                            |  |    |       |    |                   |    |           |    |                    |    |     |    |       |    |        |                          |  |    |       |    |      |    |       |    |     |    |       |    |        |                                  |  |    |       |    |      |    |           |    |       |    |     |    |        |
| D Hole Mounting & Drip Proof <sup>1</sup> | 3  |            |        |            |  |             |            |   |                 |              |                         |                 |   |   |   |              |   |               |   |              |   |                 |   |   |      |   |         |   |         |   |         |   |         |   |          |   |  |                          |  |                     |                             |                                |                             |                                |                             |                       |                             |                       |                             |                                  |                             |                                  |                             |                             |  |                     |                             |                            |                             |                            |                             |                                   |                             |                      |   |                         |   |   |                            |  |    |       |    |                   |    |           |    |                    |    |     |    |       |    |        |                          |  |    |       |    |      |    |       |    |     |    |       |    |        |                                  |  |    |       |    |      |    |           |    |       |    |     |    |        |
| E-Coat Black                              | 4  |            |        |            |  |             |            |   |                 |              |                         |                 |   |   |   |              |   |               |   |              |   |                 |   |   |      |   |         |   |         |   |         |   |         |   |          |   |  |                          |  |                     |                             |                                |                             |                                |                             |                       |                             |                       |                             |                                  |                             |                                  |                             |                             |  |                     |                             |                            |                             |                            |                             |                                   |                             |                      |   |                         |   |   |                            |  |    |       |    |                   |    |           |    |                    |    |     |    |       |    |        |                          |  |    |       |    |      |    |       |    |     |    |       |    |        |                                  |  |    |       |    |      |    |           |    |       |    |     |    |        |
| Bright Nickel                             | 5  |            |        |            |  |             |            |   |                 |              |                         |                 |   |   |   |              |   |               |   |              |   |                 |   |   |      |   |         |   |         |   |         |   |         |   |          |   |  |                          |  |                     |                             |                                |                             |                                |                             |                       |                             |                       |                             |                                  |                             |                                  |                             |                             |  |                     |                             |                            |                             |                            |                             |                                   |                             |                      |   |                         |   |   |                            |  |    |       |    |                   |    |           |    |                    |    |     |    |       |    |        |                          |  |    |       |    |      |    |       |    |     |    |       |    |        |                                  |  |    |       |    |      |    |           |    |       |    |     |    |        |
| Satin Chrome                              | 6  |            |        |            |  |             |            |   |                 |              |                         |                 |   |   |   |              |   |               |   |              |   |                 |   |   |      |   |         |   |         |   |         |   |         |   |          |   |  |                          |  |                     |                             |                                |                             |                                |                             |                       |                             |                       |                             |                                  |                             |                                  |                             |                             |  |                     |                             |                            |                             |                            |                             |                                   |                             |                      |   |                         |   |   |                            |  |    |       |    |                   |    |           |    |                    |    |     |    |       |    |        |                          |  |    |       |    |      |    |       |    |     |    |       |    |        |                                  |  |    |       |    |      |    |           |    |       |    |     |    |        |
| Polished Chrome                           | 7  |            |        |            |  |             |            |   |                 |              |                         |                 |   |   |   |              |   |               |   |              |   |                 |   |   |      |   |         |   |         |   |         |   |         |   |          |   |  |                          |  |                     |                             |                                |                             |                                |                             |                       |                             |                       |                             |                                  |                             |                                  |                             |                             |  |                     |                             |                            |                             |                            |                             |                                   |                             |                      |   |                         |   |   |                            |  |    |       |    |                   |    |           |    |                    |    |     |    |       |    |        |                          |  |    |       |    |      |    |       |    |     |    |       |    |        |                                  |  |    |       |    |      |    |           |    |       |    |     |    |        |
| None                                      | X  |            |        |            |  |             |            |   |                 |              |                         |                 |   |   |   |              |   |               |   |              |   |                 |   |   |      |   |         |   |         |   |         |   |         |   |          |   |  |                          |  |                     |                             |                                |                             |                                |                             |                       |                             |                       |                             |                                  |                             |                                  |                             |                             |  |                     |                             |                            |                             |                            |                             |                                   |                             |                      |   |                         |   |   |                            |  |    |       |    |                   |    |           |    |                    |    |     |    |       |    |        |                          |  |    |       |    |      |    |       |    |     |    |       |    |        |                                  |  |    |       |    |      |    |           |    |       |    |     |    |        |
| 27K OHM                                   | R  |            |        |            |  |             |            |   |                 |              |                         |                 |   |   |   |              |   |               |   |              |   |                 |   |   |      |   |         |   |         |   |         |   |         |   |          |   |  |                          |  |                     |                             |                                |                             |                                |                             |                       |                             |                       |                             |                                  |                             |                                  |                             |                             |  |                     |                             |                            |                             |                            |                             |                                   |                             |                      |   |                         |   |   |                            |  |    |       |    |                   |    |           |    |                    |    |     |    |       |    |        |                          |  |    |       |    |      |    |       |    |     |    |       |    |        |                                  |  |    |       |    |      |    |           |    |       |    |     |    |        |
| 33K OHM                                   | S  |            |        |            |  |             |            |   |                 |              |                         |                 |   |   |   |              |   |               |   |              |   |                 |   |   |      |   |         |   |         |   |         |   |         |   |          |   |  |                          |  |                     |                             |                                |                             |                                |                             |                       |                             |                       |                             |                                  |                             |                                  |                             |                             |  |                     |                             |                            |                             |                            |                             |                                   |                             |                      |   |                         |   |   |                            |  |    |       |    |                   |    |           |    |                    |    |     |    |       |    |        |                          |  |    |       |    |      |    |       |    |     |    |       |    |        |                                  |  |    |       |    |      |    |           |    |       |    |     |    |        |
| 56K OHM                                   | C  |            |        |            |  |             |            |   |                 |              |                         |                 |   |   |   |              |   |               |   |              |   |                 |   |   |      |   |         |   |         |   |         |   |         |   |          |   |  |                          |  |                     |                             |                                |                             |                                |                             |                       |                             |                       |                             |                                  |                             |                                  |                             |                             |  |                     |                             |                            |                             |                            |                             |                                   |                             |                      |   |                         |   |   |                            |  |    |       |    |                   |    |           |    |                    |    |     |    |       |    |        |                          |  |    |       |    |      |    |       |    |     |    |       |    |        |                                  |  |    |       |    |      |    |           |    |       |    |     |    |        |
| 68K OHM                                   | F  |            |        |            |  |             |            |   |                 |              |                         |                 |   |   |   |              |   |               |   |              |   |                 |   |   |      |   |         |   |         |   |         |   |         |   |          |   |  |                          |  |                     |                             |                                |                             |                                |                             |                       |                             |                       |                             |                                  |                             |                                  |                             |                             |  |                     |                             |                            |                             |                            |                             |                                   |                             |                      |   |                         |   |   |                            |  |    |       |    |                   |    |           |    |                    |    |     |    |       |    |        |                          |  |    |       |    |      |    |       |    |     |    |       |    |        |                                  |  |    |       |    |      |    |           |    |       |    |     |    |        |
| 100K OHM                                  | E  |            |        |            |  |             |            |   |                 |              |                         |                 |   |   |   |              |   |               |   |              |   |                 |   |   |      |   |         |   |         |   |         |   |         |   |          |   |  |                          |  |                     |                             |                                |                             |                                |                             |                       |                             |                       |                             |                                  |                             |                                  |                             |                             |  |                     |                             |                            |                             |                            |                             |                                   |                             |                      |   |                         |   |   |                            |  |    |       |    |                   |    |           |    |                    |    |     |    |       |    |        |                          |  |    |       |    |      |    |       |    |     |    |       |    |        |                                  |  |    |       |    |      |    |           |    |       |    |     |    |        |
| <b>Retainer Required</b>                  |  |            |        |            |  |             |            |   |                 |              |                         |                 |   |   |   |              |   |               |   |              |   |                 |   |   |      |   |         |   |         |   |         |   |         |   |          |   |  |                          |  |                     |                             |                                |                             |                                |                             |                       |                             |                       |                             |                                  |                             |                                  |                             |                             |  |                     |                             |                            |                             |                            |                             |                                   |                             |                      |   |                         |   |   |                            |  |    |       |    |                   |    |           |    |                    |    |     |    |       |    |        |                          |  |    |       |    |      |    |       |    |     |    |       |    |        |                                  |  |    |       |    |      |    |           |    |       |    |     |    |        |
| Flat <sup>3,7</sup>                       | 72 <input type="checkbox"/>  |            |        |            |  |             |            |   |                 |              |                         |                 |   |   |   |              |   |               |   |              |   |                 |   |   |      |   |         |   |         |   |         |   |         |   |          |   |  |                          |  |                     |                             |                                |                             |                                |                             |                       |                             |                       |                             |                                  |                             |                                  |                             |                             |  |                     |                             |                            |                             |                            |                             |                                   |                             |                      |   |                         |   |   |                            |  |    |       |    |                   |    |           |    |                    |    |     |    |       |    |        |                          |  |    |       |    |      |    |       |    |     |    |       |    |        |                                  |  |    |       |    |      |    |           |    |       |    |     |    |        |
| Flat Drip Proof <sup>3,7</sup>            | 86 <input type="checkbox"/>  |            |        |            |  |             |            |   |                 |              |                         |                 |   |   |   |              |   |               |   |              |   |                 |   |   |      |   |         |   |         |   |         |   |         |   |          |   |  |                          |  |                     |                             |                                |                             |                                |                             |                       |                             |                       |                             |                                  |                             |                                  |                             |                             |  |                     |                             |                            |                             |                            |                             |                                   |                             |                      |   |                         |   |   |                            |  |    |       |    |                   |    |           |    |                    |    |     |    |       |    |        |                          |  |    |       |    |      |    |       |    |     |    |       |    |        |                                  |  |    |       |    |      |    |           |    |       |    |     |    |        |
| Flat Drip Proof <sup>4,7</sup>            | 87 <input type="checkbox"/>  |            |        |            |  |             |            |   |                 |              |                         |                 |   |   |   |              |   |               |   |              |   |                 |   |   |      |   |         |   |         |   |         |   |         |   |          |   |  |                          |  |                     |                             |                                |                             |                                |                             |                       |                             |                       |                             |                                  |                             |                                  |                             |                             |  |                     |                             |                            |                             |                            |                             |                                   |                             |                      |   |                         |   |   |                            |  |    |       |    |                   |    |           |    |                    |    |     |    |       |    |        |                          |  |    |       |    |      |    |       |    |     |    |       |    |        |                                  |  |    |       |    |      |    |           |    |       |    |     |    |        |
| Convex <sup>3,7</sup>                     | 78 <input type="checkbox"/>  |            |        |            |  |             |            |   |                 |              |                         |                 |   |   |   |              |   |               |   |              |   |                 |   |   |      |   |         |   |         |   |         |   |         |   |          |   |  |                          |  |                     |                             |                                |                             |                                |                             |                       |                             |                       |                             |                                  |                             |                                  |                             |                             |  |                     |                             |                            |                             |                            |                             |                                   |                             |                      |   |                         |   |   |                            |  |    |       |    |                   |    |           |    |                    |    |     |    |       |    |        |                          |  |    |       |    |      |    |       |    |     |    |       |    |        |                                  |  |    |       |    |      |    |           |    |       |    |     |    |        |
| Convex <sup>4,7</sup>                     | 88 <input type="checkbox"/>  |            |        |            |  |             |            |   |                 |              |                         |                 |   |   |   |              |   |               |   |              |   |                 |   |   |      |   |         |   |         |   |         |   |         |   |          |   |  |                          |  |                     |                             |                                |                             |                                |                             |                       |                             |                       |                             |                                  |                             |                                  |                             |                             |  |                     |                             |                            |                             |                            |                             |                                   |                             |                      |   |                         |   |   |                            |  |    |       |    |                   |    |           |    |                    |    |     |    |       |    |        |                          |  |    |       |    |      |    |       |    |     |    |       |    |        |                                  |  |    |       |    |      |    |           |    |       |    |     |    |        |
| Convex Drip Proof <sup>3,7</sup>          | 79 <input type="checkbox"/>  |            |        |            |  |             |            |   |                 |              |                         |                 |   |   |   |              |   |               |   |              |   |                 |   |   |      |   |         |   |         |   |         |   |         |   |          |   |  |                          |  |                     |                             |                                |                             |                                |                             |                       |                             |                       |                             |                                  |                             |                                  |                             |                             |  |                     |                             |                            |                             |                            |                             |                                   |                             |                      |   |                         |   |   |                            |  |    |       |    |                   |    |           |    |                    |    |     |    |       |    |        |                          |  |    |       |    |      |    |       |    |     |    |       |    |        |                                  |  |    |       |    |      |    |           |    |       |    |     |    |        |
| Convex Drip Proof <sup>4,7</sup>          | 89 <input type="checkbox"/>  |            |        |            |  |             |            |   |                 |              |                         |                 |   |   |   |              |   |               |   |              |   |                 |   |   |      |   |         |   |         |   |         |   |         |   |          |   |  |                          |  |                     |                             |                                |                             |                                |                             |                       |                             |                       |                             |                                  |                             |                                  |                             |                             |  |                     |                             |                            |                             |                            |                             |                                   |                             |                      |   |                         |   |   |                            |  |    |       |    |                   |    |           |    |                    |    |     |    |       |    |        |                          |  |    |       |    |      |    |       |    |     |    |       |    |        |                                  |  |    |       |    |      |    |           |    |       |    |     |    |        |
| <b>No Retainer Required</b>               |  |            |        |            |  |             |            |   |                 |              |                         |                 |   |   |   |              |   |               |   |              |   |                 |   |   |      |   |         |   |         |   |         |   |         |   |          |   |  |                          |  |                     |                             |                                |                             |                                |                             |                       |                             |                       |                             |                                  |                             |                                  |                             |                             |  |                     |                             |                            |                             |                            |                             |                                   |                             |                      |   |                         |   |   |                            |  |    |       |    |                   |    |           |    |                    |    |     |    |       |    |        |                          |  |    |       |    |      |    |       |    |     |    |       |    |        |                                  |  |    |       |    |      |    |           |    |       |    |     |    |        |
| Dome <sup>3,7</sup>                       | 71 <input type="checkbox"/>  |            |        |            |  |             |            |   |                 |              |                         |                 |   |   |   |              |   |               |   |              |   |                 |   |   |      |   |         |   |         |   |         |   |         |   |          |   |  |                          |  |                     |                             |                                |                             |                                |                             |                       |                             |                       |                             |                                  |                             |                                  |                             |                             |  |                     |                             |                            |                             |                            |                             |                                   |                             |                      |   |                         |   |   |                            |  |    |       |    |                   |    |           |    |                    |    |     |    |       |    |        |                          |  |    |       |    |      |    |       |    |     |    |       |    |        |                                  |  |    |       |    |      |    |           |    |       |    |     |    |        |
| Cylindrical <sup>3,7</sup>                | 73 <input type="checkbox"/>  |            |        |            |  |             |            |   |                 |              |                         |                 |   |   |   |              |   |               |   |              |   |                 |   |   |      |   |         |   |         |   |         |   |         |   |          |   |  |                          |  |                     |                             |                                |                             |                                |                             |                       |                             |                       |                             |                                  |                             |                                  |                             |                             |  |                     |                             |                            |                             |                            |                             |                                   |                             |                      |   |                         |   |   |                            |  |    |       |    |                   |    |           |    |                    |    |     |    |       |    |        |                          |  |    |       |    |      |    |       |    |     |    |       |    |        |                                  |  |    |       |    |      |    |           |    |       |    |     |    |        |
| Fluted Dome <sup>5,8</sup>                | 74 <input type="checkbox"/>  |            |        |            |  |             |            |   |                 |              |                         |                 |   |   |   |              |   |               |   |              |   |                 |   |   |      |   |         |   |         |   |         |   |         |   |          |   |  |                          |  |                     |                             |                                |                             |                                |                             |                       |                             |                       |                             |                                  |                             |                                  |                             |                             |  |                     |                             |                            |                             |                            |                             |                                   |                             |                      |   |                         |   |   |                            |  |    |       |    |                   |    |           |    |                    |    |     |    |       |    |        |                          |  |    |       |    |      |    |       |    |     |    |       |    |        |                                  |  |    |       |    |      |    |           |    |       |    |     |    |        |
| Fluted Cylindrical <sup>3,8</sup>         | 76 <input type="checkbox"/>  |            |        |            |  |             |            |   |                 |              |                         |                 |   |   |   |              |   |               |   |              |   |                 |   |   |      |   |         |   |         |   |         |   |         |   |          |   |  |                          |  |                     |                             |                                |                             |                                |                             |                       |                             |                       |                             |                                  |                             |                                  |                             |                             |  |                     |                             |                            |                             |                            |                             |                                   |                             |                      |   |                         |   |   |                            |  |    |       |    |                   |    |           |    |                    |    |     |    |       |    |        |                          |  |    |       |    |      |    |       |    |     |    |       |    |        |                                  |  |    |       |    |      |    |           |    |       |    |     |    |        |
| No Retainer Required                      | 0  |            |        |            |  |             |            |   |                 |              |                         |                 |   |   |   |              |   |               |   |              |   |                 |   |   |      |   |         |   |         |   |         |   |         |   |          |   |  |                          |  |                     |                             |                                |                             |                                |                             |                       |                             |                       |                             |                                  |                             |                                  |                             |                             |  |                     |                             |                            |                             |                            |                             |                                   |                             |                      |   |                         |   |   |                            |  |    |       |    |                   |    |           |    |                    |    |     |    |       |    |        |                          |  |    |       |    |      |    |       |    |     |    |       |    |        |                                  |  |    |       |    |      |    |           |    |       |    |     |    |        |
| Dripproof (with O-Ring)                   | 8  |            |        |            |  |             |            |   |                 |              |                         |                 |   |   |   |              |   |               |   |              |   |                 |   |   |      |   |         |   |         |   |         |   |         |   |          |   |  |                          |  |                     |                             |                                |                             |                                |                             |                       |                             |                       |                             |                                  |                             |                                  |                             |                             |  |                     |                             |                            |                             |                            |                             |                                   |                             |                      |   |                         |   |   |                            |  |    |       |    |                   |    |           |    |                    |    |     |    |       |    |        |                          |  |    |       |    |      |    |       |    |     |    |       |    |        |                                  |  |    |       |    |      |    |           |    |       |    |     |    |        |
| Transparent (nondiffusing)                |  |            |        |            |  |             |            |   |                 |              |                         |                 |   |   |   |              |   |               |   |              |   |                 |   |   |      |   |         |   |         |   |         |   |         |   |          |   |  |                          |  |                     |                             |                                |                             |                                |                             |                       |                             |                       |                             |                                  |                             |                                  |                             |                             |  |                     |                             |                            |                             |                            |                             |                                   |                             |                      |   |                         |   |   |                            |  |    |       |    |                   |    |           |    |                    |    |     |    |       |    |        |                          |  |    |       |    |      |    |       |    |     |    |       |    |        |                                  |  |    |       |    |      |    |           |    |       |    |     |    |        |
| AN  | Amber  |            |        |            |  |             |            |   |                 |              |                         |                 |   |   |   |              |   |               |   |              |   |                 |   |   |      |   |         |   |         |   |         |   |         |   |          |   |  |                          |  |                     |                             |                                |                             |                                |                             |                       |                             |                       |                             |                                  |                             |                                  |                             |                             |  |                     |                             |                            |                             |                            |                             |                                   |                             |                      |   |                         |   |   |                            |  |    |       |    |                   |    |           |    |                    |    |     |    |       |    |        |                          |  |    |       |    |      |    |       |    |     |    |       |    |        |                                  |  |    |       |    |      |    |           |    |       |    |     |    |        |
| BN  | Blue <sup>6</sup>  |            |        |            |  |             |            |   |                 |              |                         |                 |   |   |   |              |   |               |   |              |   |                 |   |   |      |   |         |   |         |   |         |   |         |   |          |   |  |                          |  |                     |                             |                                |                             |                                |                             |                       |                             |                       |                             |                                  |                             |                                  |                             |                             |  |                     |                             |                            |                             |                            |                             |                                   |                             |                      |   |                         |   |   |                            |  |    |       |    |                   |    |           |    |                    |    |     |    |       |    |        |                          |  |    |       |    |      |    |       |    |     |    |       |    |        |                                  |  |    |       |    |      |    |           |    |       |    |     |    |        |
| CN  | Colorless  |            |        |            |  |             |            |   |                 |              |                         |                 |   |   |   |              |   |               |   |              |   |                 |   |   |      |   |         |   |         |   |         |   |         |   |          |   |  |                          |  |                     |                             |                                |                             |                                |                             |                       |                             |                       |                             |                                  |                             |                                  |                             |                             |  |                     |                             |                            |                             |                            |                             |                                   |                             |                      |   |                         |   |   |                            |  |    |       |    |                   |    |           |    |                    |    |     |    |       |    |        |                          |  |    |       |    |      |    |       |    |     |    |       |    |        |                                  |  |    |       |    |      |    |           |    |       |    |     |    |        |
| GN  | Green <sup>6</sup>   |            |        |            |  |             |            |   |                 |              |                         |                 |   |   |   |              |   |               |   |              |   |                 |   |   |      |   |         |   |         |   |         |   |         |   |          |   |  |                          |  |                     |                             |                                |                             |                                |                             |                       |                             |                       |                             |                                  |                             |                                  |                             |                             |  |                     |                             |                            |                             |                            |                             |                                   |                             |                      |   |                         |   |   |                            |  |    |       |    |                   |    |           |    |                    |    |     |    |       |    |        |                          |  |    |       |    |      |    |       |    |     |    |       |    |        |                                  |  |    |       |    |      |    |           |    |       |    |     |    |        |
| RN  | Red  |            |        |            |  |             |            |   |                 |              |                         |                 |   |   |   |              |   |               |   |              |   |                 |   |   |      |   |         |   |         |   |         |   |         |   |          |   |  |                          |  |                     |                             |                                |                             |                                |                             |                       |                             |                       |                             |                                  |                             |                                  |                             |                             |  |                     |                             |                            |                             |                            |                             |                                   |                             |                      |   |                         |   |   |                            |  |    |       |    |                   |    |           |    |                    |    |     |    |       |    |        |                          |  |    |       |    |      |    |       |    |     |    |       |    |        |                                  |  |    |       |    |      |    |           |    |       |    |     |    |        |
| WN  | White  |            |        |            |  |             |            |   |                 |              |                         |                 |   |   |   |              |   |               |   |              |   |                 |   |   |      |   |         |   |         |   |         |   |         |   |          |   |  |                          |  |                     |                             |                                |                             |                                |                             |                       |                             |                       |                             |                                  |                             |                                  |                             |                             |  |                     |                             |                            |                             |                            |                             |                                   |                             |                      |   |                         |   |   |                            |  |    |       |    |                   |    |           |    |                    |    |     |    |       |    |        |                          |  |    |       |    |      |    |       |    |     |    |       |    |        |                                  |  |    |       |    |      |    |           |    |       |    |     |    |        |
| YN  | Yellow   |            |        |            |  |             |            |   |                 |              |                         |                 |   |   |   |              |   |               |   |              |   |                 |   |   |      |   |         |   |         |   |         |   |         |   |          |   |  |                          |  |                     |                             |                                |                             |                                |                             |                       |                             |                       |                             |                                  |                             |                                  |                             |                             |  |                     |                             |                            |                             |                            |                             |                                   |                             |                      |   |                         |   |   |                            |  |    |       |    |                   |    |           |    |                    |    |     |    |       |    |        |                          |  |    |       |    |      |    |       |    |     |    |       |    |        |                                  |  |    |       |    |      |    |           |    |       |    |     |    |        |
| Translucent <sup>6</sup>                  |  |            |        |            |  |             |            |   |                 |              |                         |                 |   |   |   |              |   |               |   |              |   |                 |   |   |      |   |         |   |         |   |         |   |         |   |          |   |  |                          |  |                     |                             |                                |                             |                                |                             |                       |                             |                       |                             |                                  |                             |                                  |                             |                             |  |                     |                             |                            |                             |                            |                             |                                   |                             |                      |   |                         |   |   |                            |  |    |       |    |                   |    |           |    |                    |    |     |    |       |    |        |                          |  |    |       |    |      |    |       |    |     |    |       |    |        |                                  |  |    |       |    |      |    |           |    |       |    |     |    |        |
| AT  | Amber  |            |        |            |  |             |            |   |                 |              |                         |                 |   |   |   |              |   |               |   |              |   |                 |   |   |      |   |         |   |         |   |         |   |         |   |          |   |  |                          |  |                     |                             |                                |                             |                                |                             |                       |                             |                       |                             |                                  |                             |                                  |                             |                             |  |                     |                             |                            |                             |                            |                             |                                   |                             |                      |   |                         |   |   |                            |  |    |       |    |                   |    |           |    |                    |    |     |    |       |    |        |                          |  |    |       |    |      |    |       |    |     |    |       |    |        |                                  |  |    |       |    |      |    |           |    |       |    |     |    |        |
| BT  | Blue   |            |        |            |  |             |            |   |                 |              |                         |                 |   |   |   |              |   |               |   |              |   |                 |   |   |      |   |         |   |         |   |         |   |         |   |          |   |  |                          |  |                     |                             |                                |                             |                                |                             |                       |                             |                       |                             |                                  |                             |                                  |                             |                             |  |                     |                             |                            |                             |                            |                             |                                   |                             |                      |   |                         |   |   |                            |  |    |       |    |                   |    |           |    |                    |    |     |    |       |    |        |                          |  |    |       |    |      |    |       |    |     |    |       |    |        |                                  |  |    |       |    |      |    |           |    |       |    |     |    |        |
| GT  | Green  |            |        |            |  |             |            |   |                 |              |                         |                 |   |   |   |              |   |               |   |              |   |                 |   |   |      |   |         |   |         |   |         |   |         |   |          |   |  |                          |  |                     |                             |                                |                             |                                |                             |                       |                             |                       |                             |                                  |                             |                                  |                             |                             |  |                     |                             |                            |                             |                            |                             |                                   |                             |                      |   |                         |   |   |                            |  |    |       |    |                   |    |           |    |                    |    |     |    |       |    |        |                          |  |    |       |    |      |    |       |    |     |    |       |    |        |                                  |  |    |       |    |      |    |           |    |       |    |     |    |        |
| RT  | Red  |            |        |            |  |             |            |   |                 |              |                         |                 |   |   |   |              |   |               |   |              |   |                 |   |   |      |   |         |   |         |   |         |   |         |   |          |   |  |                          |  |                     |                             |                                |                             |                                |                             |                       |                             |                       |                             |                                  |                             |                                  |                             |                             |  |                     |                             |                            |                             |                            |                             |                                   |                             |                      |   |                         |   |   |                            |  |    |       |    |                   |    |           |    |                    |    |     |    |       |    |        |                          |  |    |       |    |      |    |       |    |     |    |       |    |        |                                  |  |    |       |    |      |    |           |    |       |    |     |    |        |
| WT  | White  |            |        |            |  |             |            |   |                 |              |                         |                 |   |   |   |              |   |               |   |              |   |                 |   |   |      |   |         |   |         |   |         |   |         |   |          |   |  |                          |  |                     |                             |                                |                             |                                |                             |                       |                             |                       |                             |                                  |                             |                                  |                             |                             |  |                     |                             |                            |                             |                            |                             |                                   |                             |                      |   |                         |   |   |                            |  |    |       |    |                   |    |           |    |                    |    |     |    |       |    |        |                          |  |    |       |    |      |    |       |    |     |    |       |    |        |                                  |  |    |       |    |      |    |           |    |       |    |     |    |        |
| YT  | Yellow   |            |        |            |  |             |            |   |                 |              |                         |                 |   |   |   |              |   |               |   |              |   |                 |   |   |      |   |         |   |         |   |         |   |         |   |          |   |  |                          |  |                     |                             |                                |                             |                                |                             |                       |                             |                       |                             |                                  |                             |                                  |                             |                             |  |                     |                             |                            |                             |                            |                             |                                   |                             |                      |   |                         |   |   |                            |  |    |       |    |                   |    |           |    |                    |    |     |    |       |    |        |                          |  |    |       |    |      |    |       |    |     |    |       |    |        |                                  |  |    |       |    |      |    |           |    |       |    |     |    |        |
| Diffusing (Frosted) <sup>6</sup>          |  |            |        |            |  |             |            |   |                 |              |                         |                 |   |   |   |              |   |               |   |              |   |                 |   |   |      |   |         |   |         |   |         |   |         |   |          |   |  |                          |  |                     |                             |                                |                             |                                |                             |                       |                             |                       |                             |                                  |                             |                                  |                             |                             |  |                     |                             |                            |                             |                            |                             |                                   |                             |                      |   |                         |   |   |                            |  |    |       |    |                   |    |           |    |                    |    |     |    |       |    |        |                          |  |    |       |    |      |    |       |    |     |    |       |    |        |                                  |  |    |       |    |      |    |           |    |       |    |     |    |        |
| AD  | Amber  |            |        |            |  |             |            |   |                 |              |                         |                 |   |   |   |              |   |               |   |              |   |                 |   |   |      |   |         |   |         |   |         |   |         |   |          |   |  |                          |  |                     |                             |                                |                             |                                |                             |                       |                             |                       |                             |                                  |                             |                                  |                             |                             |  |                     |                             |                            |                             |                            |                             |                                   |                             |                      |   |                         |   |   |                            |  |    |       |    |                   |    |           |    |                    |    |     |    |       |    |        |                          |  |    |       |    |      |    |       |    |     |    |       |    |        |                                  |  |    |       |    |      |    |           |    |       |    |     |    |        |
| BD  | Blue   |            |        |            |  |             |            |   |                 |              |                         |                 |   |   |   |              |   |               |   |              |   |                 |   |   |      |   |         |   |         |   |         |   |         |   |          |   |  |                          |  |                     |                             |                                |                             |                                |                             |                       |                             |                       |                             |                                  |                             |                                  |                             |                             |  |                     |                             |                            |                             |                            |                             |                                   |                             |                      |   |                         |   |   |                            |  |    |       |    |                   |    |           |    |                    |    |     |    |       |    |        |                          |  |    |       |    |      |    |       |    |     |    |       |    |        |                                  |  |    |       |    |      |    |           |    |       |    |     |    |        |
| CD  | Colorless  |            |        |            |  |             |            |   |                 |              |                         |                 |   |   |   |              |   |               |   |              |   |                 |   |   |      |   |         |   |         |   |         |   |         |   |          |   |  |                          |  |                     |                             |                                |                             |                                |                             |                       |                             |                       |                             |                                  |                             |                                  |                             |                             |  |                     |                             |                            |                             |                            |                             |                                   |                             |                      |   |                         |   |   |                            |  |    |       |    |                   |    |           |    |                    |    |     |    |       |    |        |                          |  |    |       |    |      |    |       |    |     |    |       |    |        |                                  |  |    |       |    |      |    |           |    |       |    |     |    |        |
| GD  | Green  |            |        |            |  |             |            |   |                 |              |                         |                 |   |   |   |              |   |               |   |              |   |                 |   |   |      |   |         |   |         |   |         |   |         |   |          |   |  |                          |  |                     |                             |                                |                             |                                |                             |                       |                             |                       |                             |                                  |                             |                                  |                             |                             |  |                     |                             |                            |                             |                            |                             |                                   |                             |                      |   |                         |   |   |                            |  |    |       |    |                   |    |           |    |                    |    |     |    |       |    |        |                          |  |    |       |    |      |    |       |    |     |    |       |    |        |                                  |  |    |       |    |      |    |           |    |       |    |     |    |        |
| RD  | Red  |            |        |            |  |             |            |   |                 |              |                         |                 |   |   |   |              |   |               |   |              |   |                 |   |   |      |   |         |   |         |   |         |   |         |   |          |   |  |                          |  |                     |                             |                                |                             |                                |                             |                       |                             |                       |                             |                                  |                             |                                  |                             |                             |  |                     |                             |                            |                             |                            |                             |                                   |                             |                      |   |                         |   |   |                            |  |    |       |    |                   |    |           |    |                    |    |     |    |       |    |        |                          |  |    |       |    |      |    |       |    |     |    |       |    |        |                                  |  |    |       |    |      |    |           |    |       |    |     |    |        |
| YD  | Yellow   |            |        |            |  |             |            |   |                 |              |                         |                 |   |   |   |              |   |               |   |              |   |                 |   |   |      |   |         |   |         |   |         |   |         |   |          |   |  |                          |  |                     |                             |                                |                             |                                |                             |                       |                             |                       |                             |                                  |                             |                                  |                             |                             |  |                     |                             |                            |                             |                            |                             |                                   |                             |                      |   |                         |   |   |                            |  |    |       |    |                   |    |           |    |                    |    |     |    |       |    |        |                          |  |    |       |    |      |    |       |    |     |    |       |    |        |                                  |  |    |       |    |      |    |           |    |       |    |     |    |        |
|   |  |            |        |            | <table border="1"> <tr><td>Zinc Plated</td><td>4</td></tr> <tr><td>Bright Nickel</td><td>5</td></tr> <tr><td>Satin Chrome</td><td>6</td></tr> <tr><td>Polished Chrome</td><td>7</td></tr> </table> | Zinc Plated | 4          | Bright Nickel   | 5               | Satin Chrome | 6                       | Polished Chrome | 7   |   |   |              |   |               |   |              |   |                 |   |   |      |   |         |   |         |   |         |   |         |   |          |   |  |                          |  |                     |                             |                                |                             |                                |                             |                       |                             |                       |                             |                                  |                             |                                  |                             |                             |  |                     |                             |                            |                             |                            |                             |                                   |                             |                      |   |                         |   |   |                            |  |    |       |    |                   |    |           |    |                    |    |     |    |       |    |        |                          |  |    |       |    |      |    |       |    |     |    |       |    |        |                                  |  |    |       |    |      |    |           |    |       |    |     |    |        |
| Zinc Plated                               | 4  |            |        |            |  |             |            |   |                 |              |                         |                 |   |   |   |              |   |               |   |              |   |                 |   |   |      |   |         |   |         |   |         |   |         |   |          |   |  |                          |  |                     |                             |                                |                             |                                |                             |                       |                             |                       |                             |                                  |                             |                                  |                             |                             |  |                     |                             |                            |                             |                            |                             |                                   |                             |                      |   |                         |   |   |                            |  |    |       |    |                   |    |           |    |                    |    |     |    |       |    |        |                          |  |    |       |    |      |    |       |    |     |    |       |    |        |                                  |  |    |       |    |      |    |           |    |       |    |     |    |        |
| Bright Nickel                             | 5  |            |        |            |  |             |            |   |                 |              |                         |                 |   |   |   |              |   |               |   |              |   |                 |   |   |      |   |         |   |         |   |         |   |         |   |          |   |  |                          |  |                     |                             |                                |                             |                                |                             |                       |                             |                       |                             |                                  |                             |                                  |                             |                             |  |                     |                             |                            |                             |                            |                             |                                   |                             |                      |   |                         |   |   |                            |  |    |       |    |                   |    |           |    |                    |    |     |    |       |    |        |                          |  |    |       |    |      |    |       |    |     |    |       |    |        |                                  |  |    |       |    |      |    |           |    |       |    |     |    |        |
| Satin Chrome                              | 6  |            |        |            |  |             |            |   |                 |              |                         |                 |   |   |   |              |   |               |   |              |   |                 |   |   |      |   |         |   |         |   |         |   |         |   |          |   |  |                          |  |                     |                             |                                |                             |                                |                             |                       |                             |                       |                             |                                  |                             |                                  |                             |                             |  |                     |                             |                            |                             |                            |                             |                                   |                             |                      |   |                         |   |   |                            |  |    |       |    |                   |    |           |    |                    |    |     |    |       |    |        |                          |  |    |       |    |      |    |       |    |     |    |       |    |        |                                  |  |    |       |    |      |    |           |    |       |    |     |    |        |
| Polished Chrome                           | 7  |            |        |            |  |             |            |   |                 |              |                         |                 |   |   |   |              |   |               |   |              |   |                 |   |   |      |   |         |   |         |   |         |   |         |   |          |   |  |                          |  |                     |                             |                                |                             |                                |                             |                       |                             |                       |                             |                                  |                             |                                  |                             |                             |  |                     |                             |                            |                             |                            |                             |                                   |                             |                      |   |                         |   |   |                            |  |    |       |    |                   |    |           |    |                    |    |     |    |       |    |        |                          |  |    |       |    |      |    |       |    |     |    |       |    |        |                                  |  |    |       |    |      |    |           |    |       |    |     |    |        |

**Notes:**

- <sup>1</sup> These styles supplied with rubber washers for body and lens.
- <sup>2</sup> No resistor required with incandescent lamps.
- <sup>3</sup> Nondiffusing and translucent colors only.
- <sup>4</sup> Diffusing colors only.
- <sup>5</sup> Nondiffusing colors only.
- <sup>6</sup> Should not use with neon lamps.
- <sup>7</sup> Lens Material: Lexan UL-94 V2
- <sup>8</sup> Lens Material: Lexan UL-94 HB

Lampholders and Lens Caps may be ordered separately or as complete assemblies as shown in the example below

## 930424X897RD



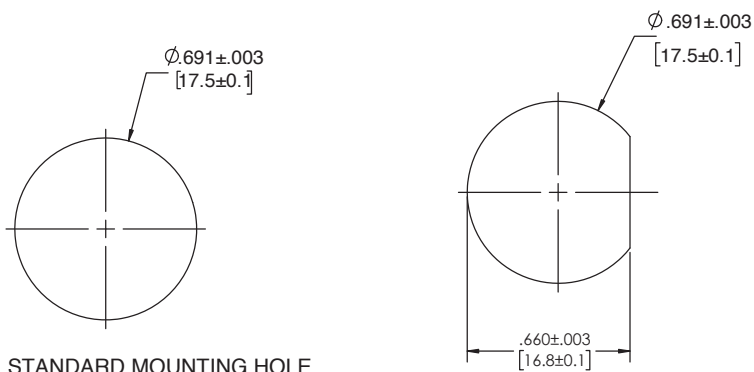
| Series Number | Termination       | Features          | Finish              | Resistor    | Lens Style                | Retainer               | Lens Color            |
|---------------|-------------------|-------------------|---------------------|-------------|---------------------------|------------------------|-----------------------|
| 930           | 4<br>(Solder Lug) | 2<br>(Drip Proof) | 4<br>(E-Coat Black) | X<br>(None) | 89<br>(Convex Drip Proof) | 7<br>(Polished Chrome) | RD<br>(Red Diffusing) |

## Product Specifications

| Materials  |  |
|------------|--|
| Housing    | Brass. E-coat black, bright nickel, polished or satin chrome finishes  |
| Body       | High dielectric phenolic   |
| Lockwasher | Phosphor bronze. Nickel-plated   |
| Lens       | Heat resistant, polycarbonate<br>See notes 7 and 8 on page 2   |
| Hex Nut    | Brass. Nickel plated.  |
| Terminals  | Solder Lug: Brass, tin plated<br>Screw Type: 4-40 brass, nickel plated binding head screws   |
| Wire Leads | 6" Leads, #18 AWG, black & white stranded cooper, PVC insulated, UL/CSA rated 105°C, stripped 1/2". Custom wire options are also available |
| Retainer   | Brass. Zinc plated, bright nickel, polished or satin chrome finishes   |

| Installation Specifications |  |
|-----------------------------|--|
| Mounting Hole               | .651"±.005 (16.5mm±.1)                             |
| D- mounting hole (optional) | .651"±.005 (16.5mm±.1) x<br>.691"±.003 (17.6mm±.1) |
| Maximum Rating              | 3 Watts, 250 Volts                                 |

## Mounting Holes - Dimensions



STANDARD MOUNTING HOLE

OPTIONAL "D" MOUNTING HOLE

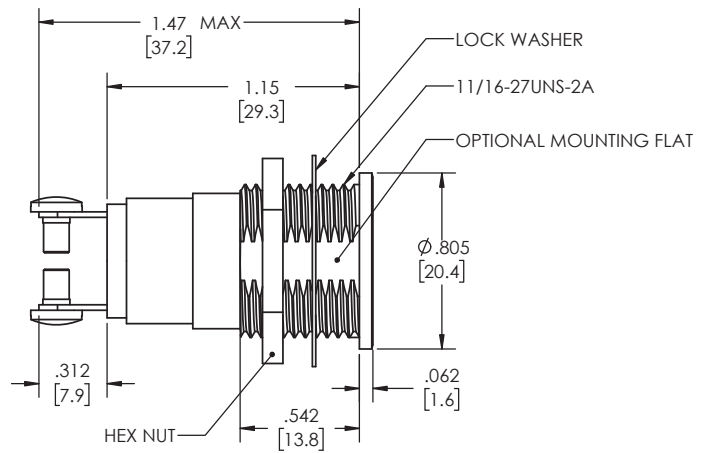
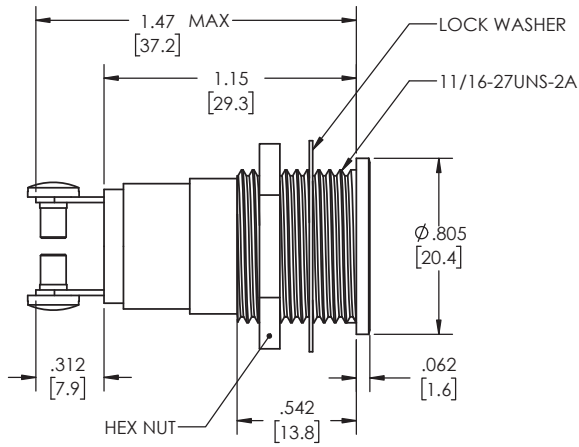
All Dimensions in inches [mm]

## Compliance and Approvals

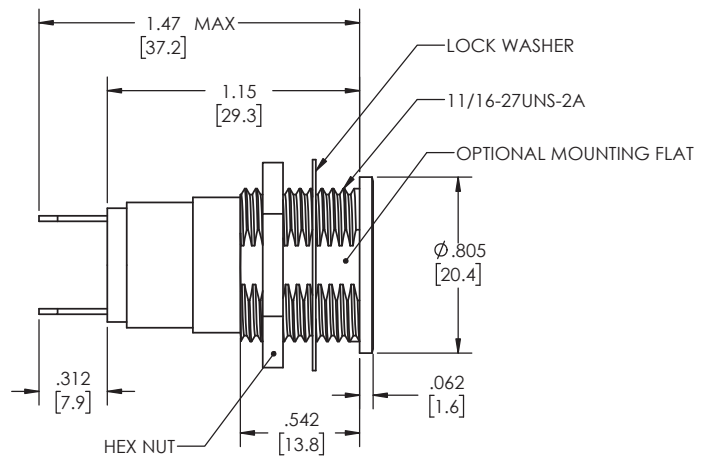
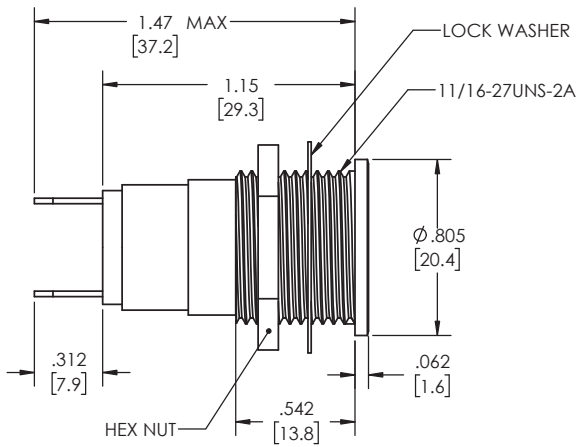


# Product Dimensions - Housing and Termination

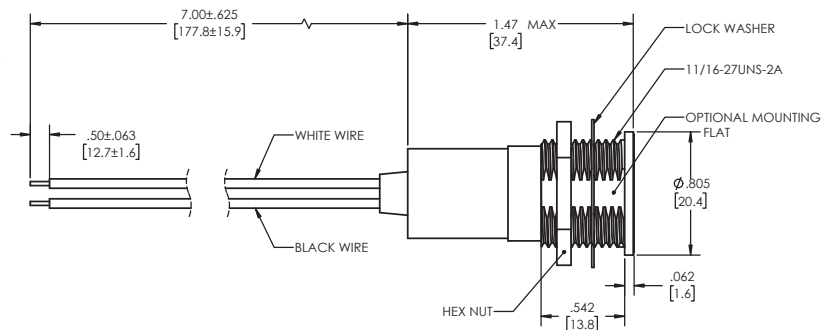
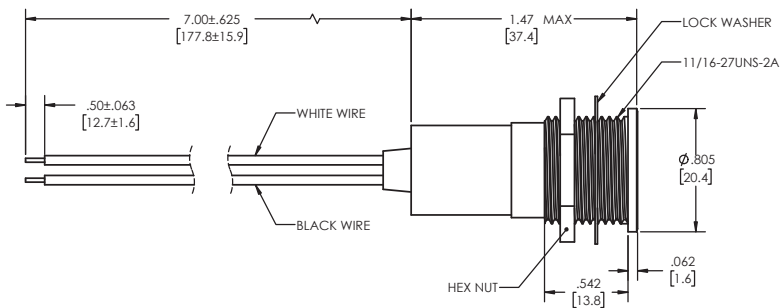
## Screw Type



## Solder Lug



## Wire Leads

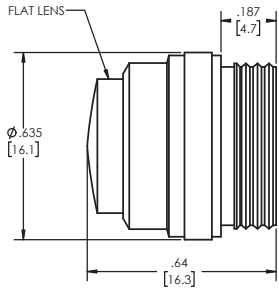


All Dimensions in inches [mm]

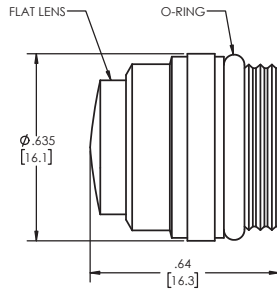
# Product Dimensions - Lens Style

## Lens Style - Retainer Required

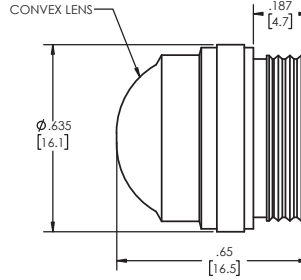
Flat:



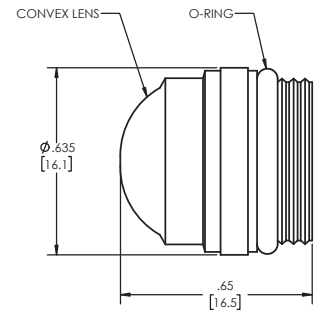
Flat Drip Proof:



Convex:

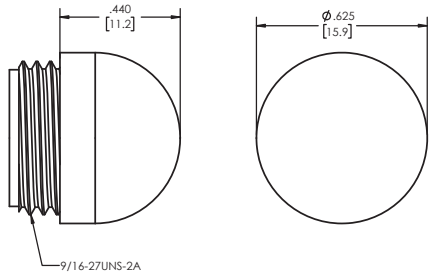


Convex Drip Proof:

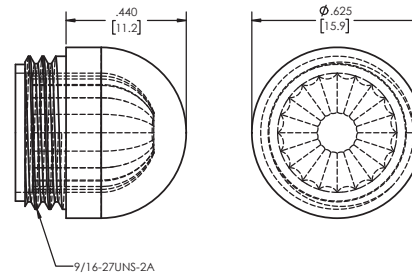


## Lens Style - No Retainer Required

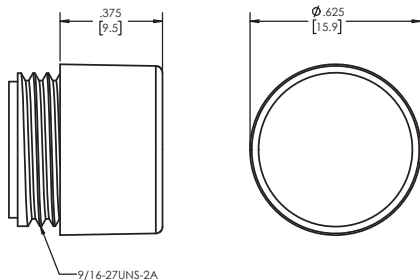
Dome:



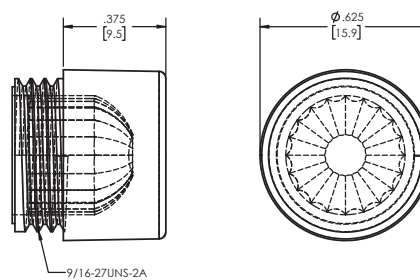
Dome Fluted:



Cylindrical:

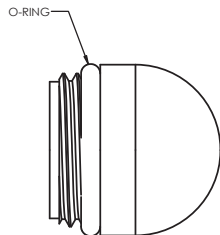


Cylindrical Fluted:

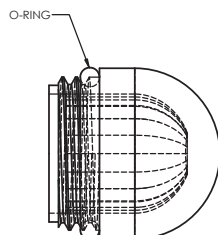


## Lens Style - Lampholder features Drip-proof (with O-Ring)

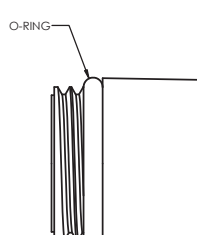
Dome:



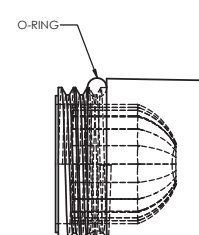
Dome Fluted:



Cylindrical:



Cylindrical Fluted:



All Dimensions in inches [mm]