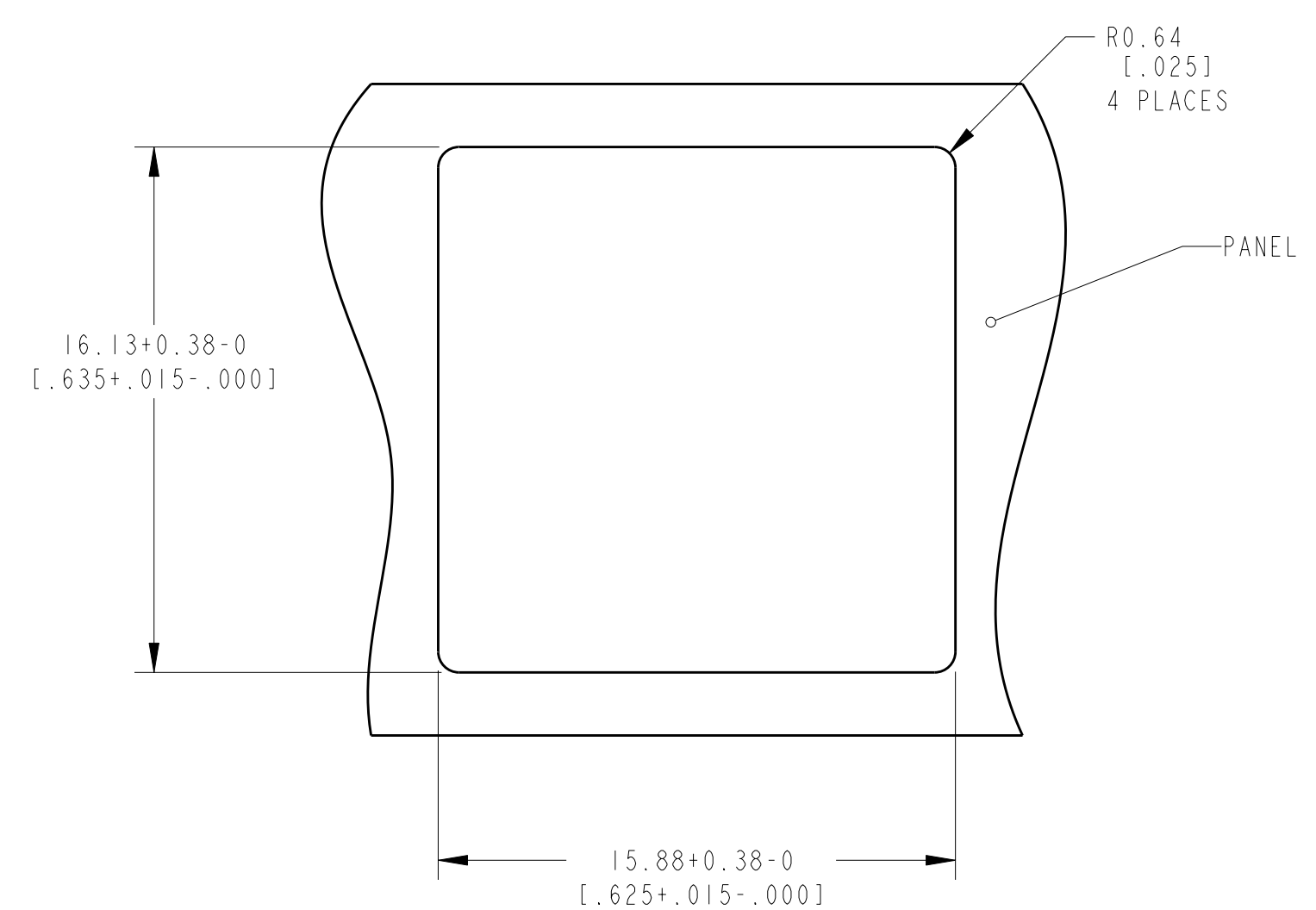
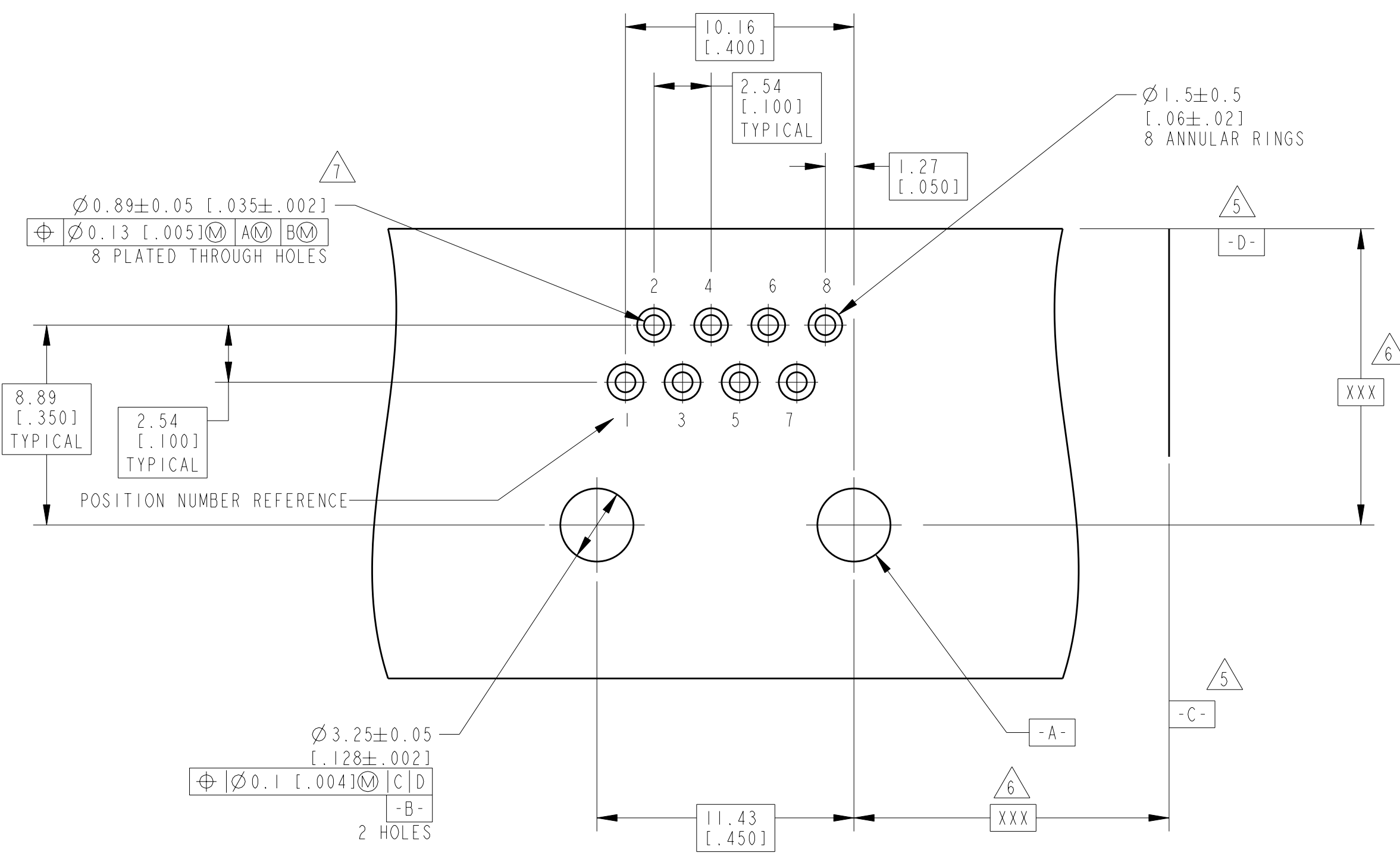
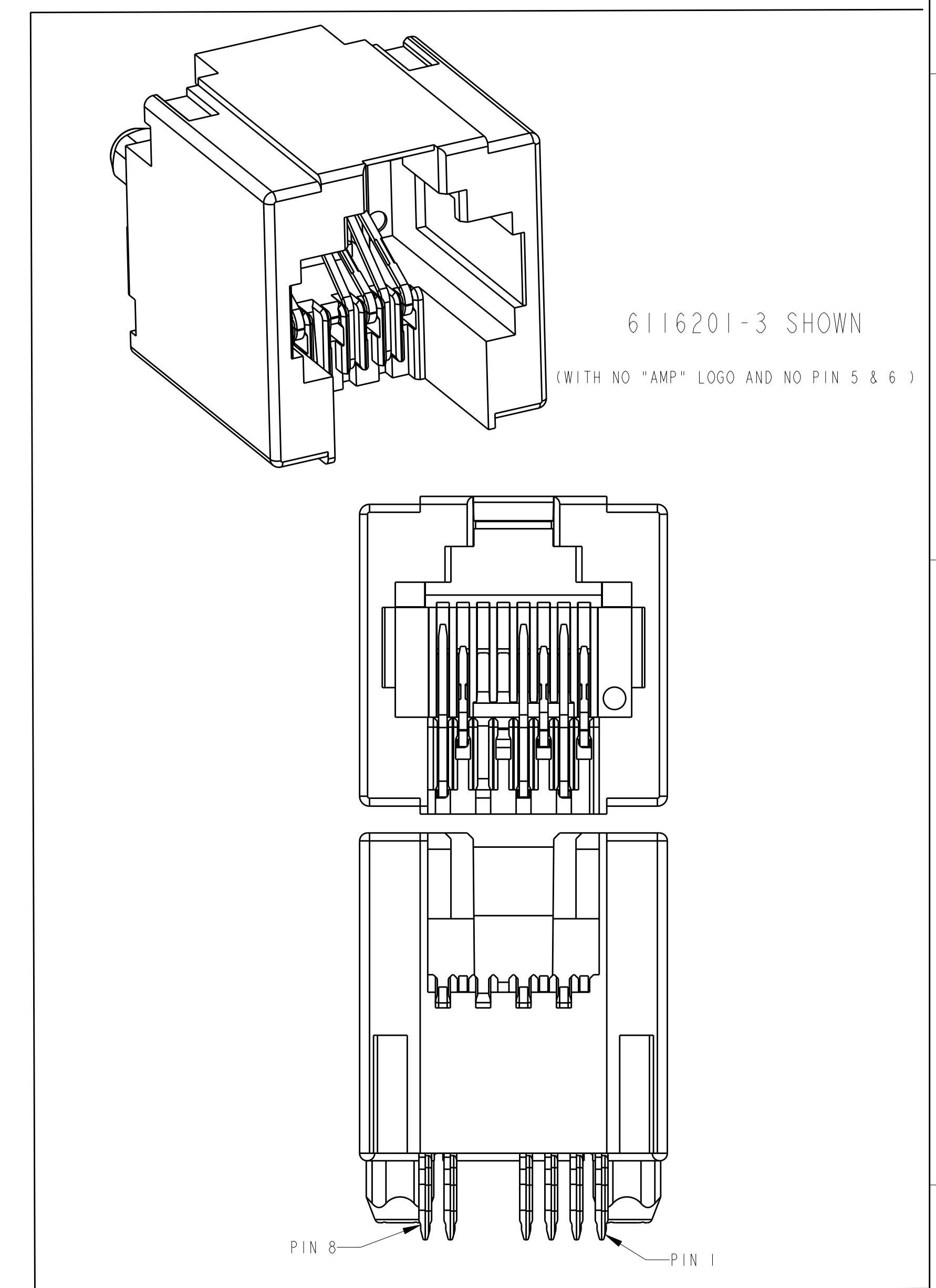
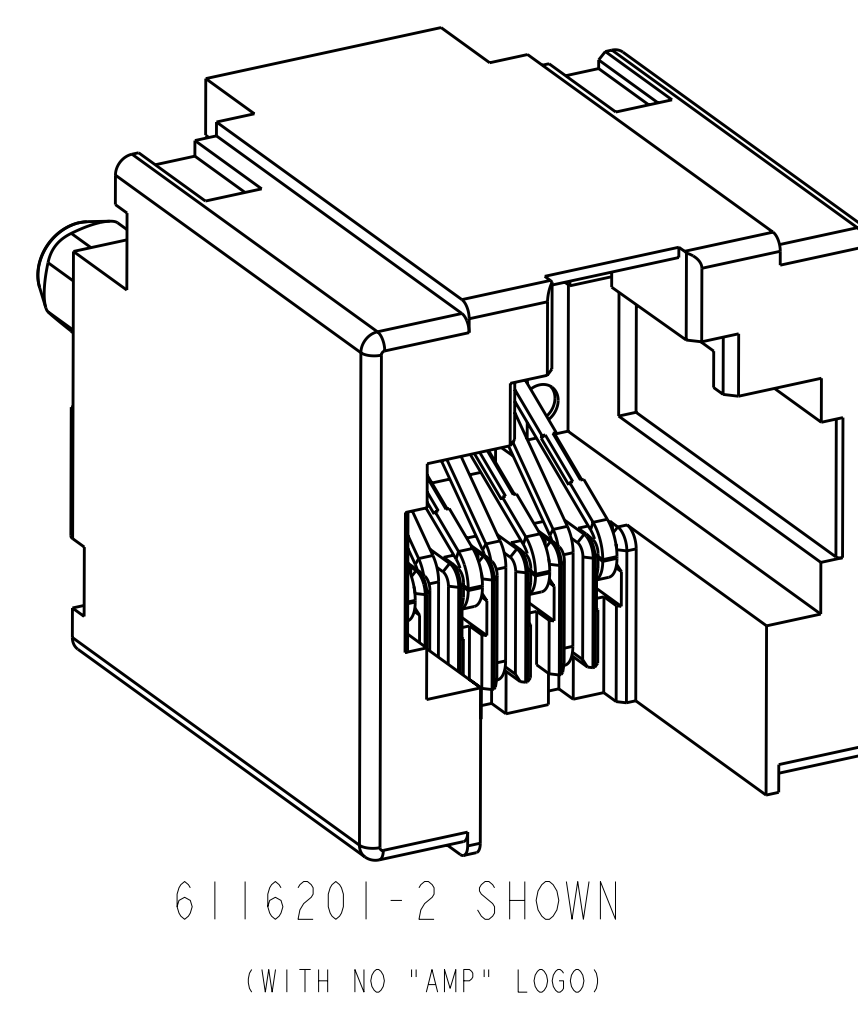
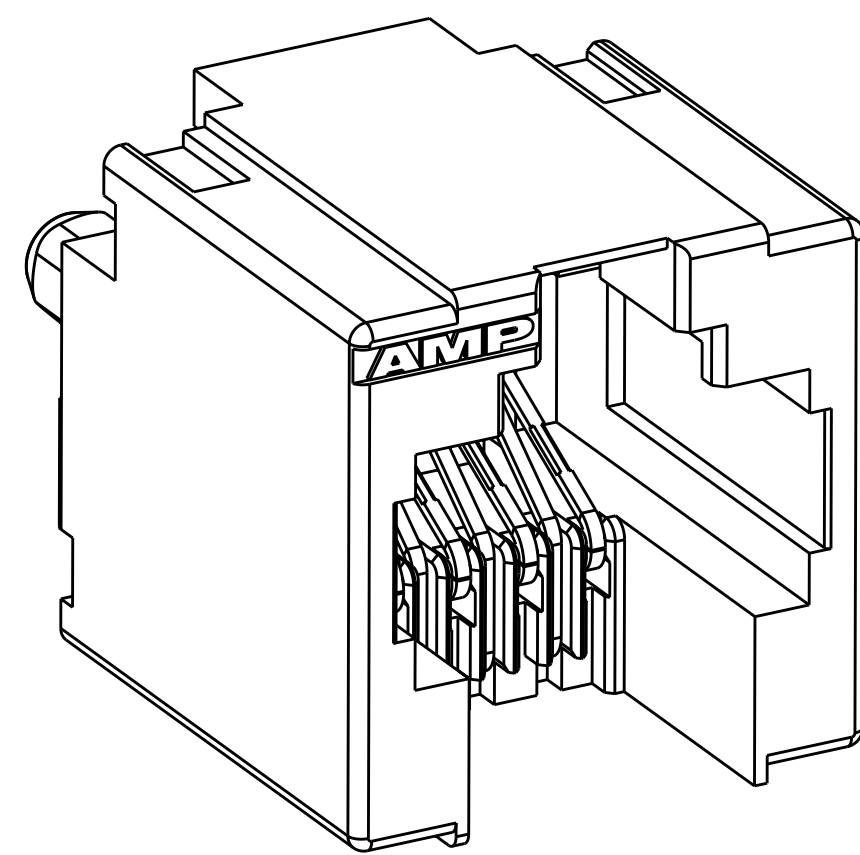
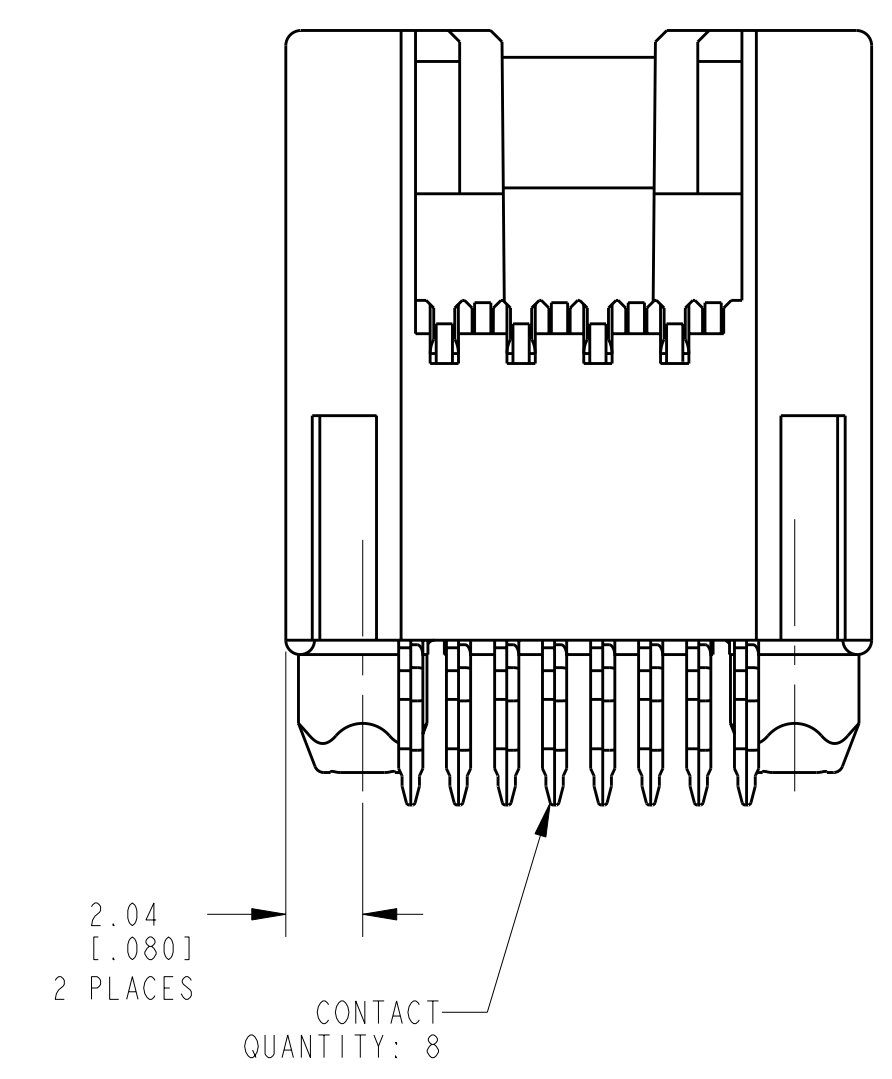
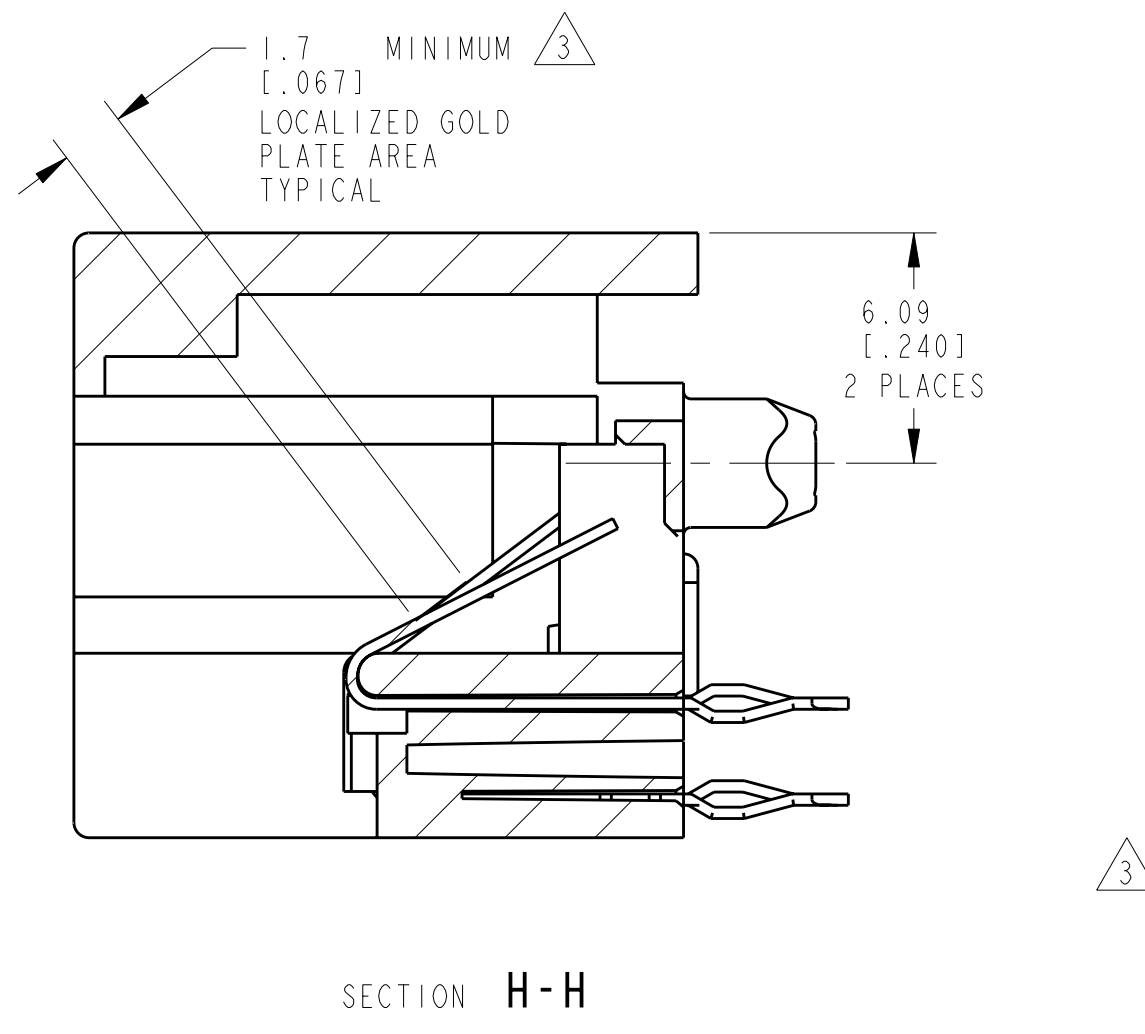
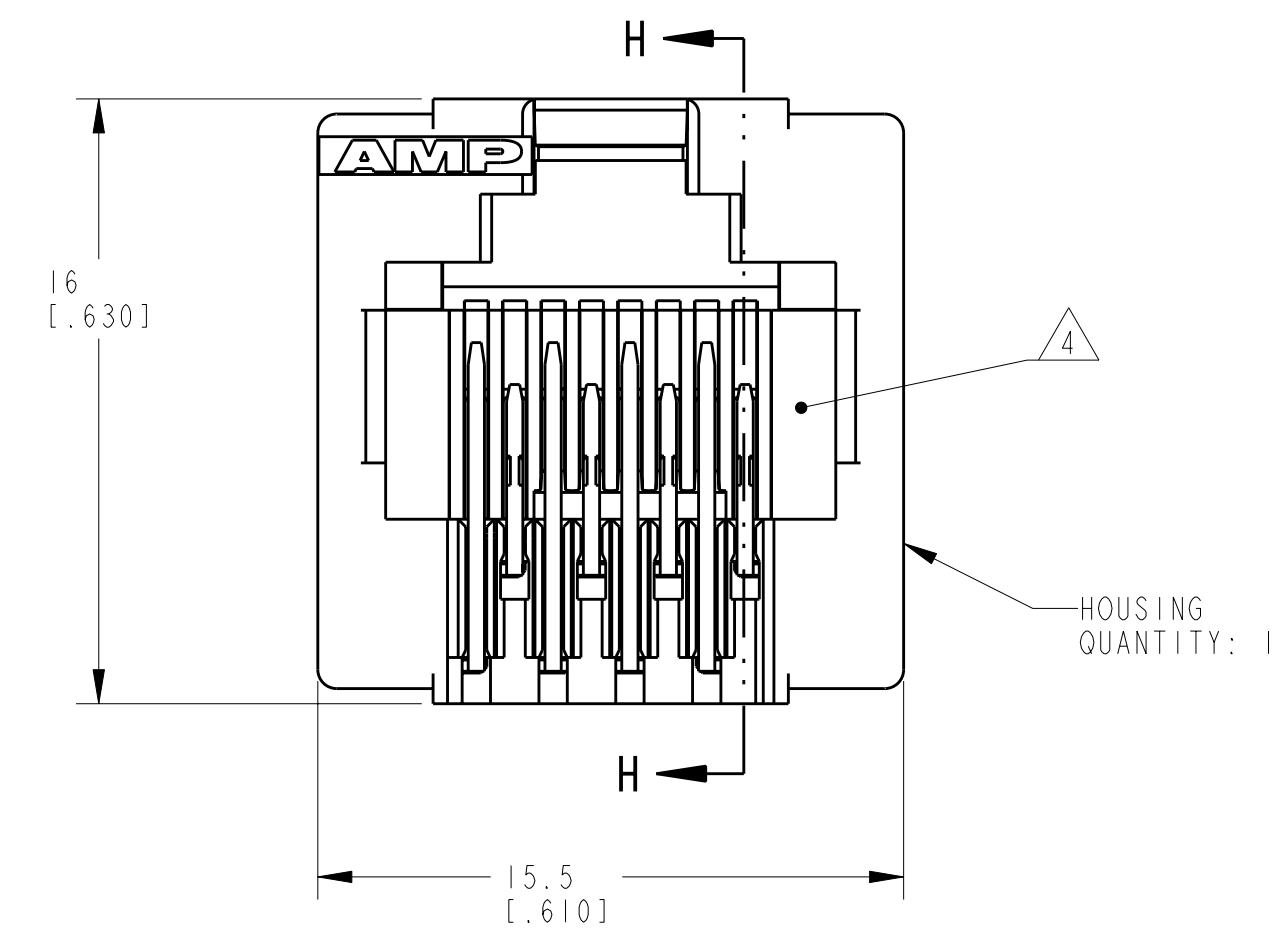


LOC	DIST	REV	DATE	BY	CHK	APPV
AA	22	A	29JUL2005	AF	SF	
		A1	16AUG2010	DZ	MO, W	
		A2	25AUG2010	DZ	MO, W	

- 1 THERMOPLASTIC, COLOR-BLACK.
- 2 PHOSPHOR BRONZE
- 3 1.27um[.000050] MIN GOLD IN LOCALIZED GOLD PLATE AREA, 2um[.000079] MIN MATTE TIN ON TERMINATION END, BOTH OVER 1.27um[.000050] MIN NICKEL.
- 4 CAVITY CONFORMS TO FCC 47 CFR 68 PART F.
- 5 DATUMS ESTABLISHED BY CUSTOMER.
- 6 DIMENSIONS ESTABLISHED BY CUSTOMER.
- 7 DRILLED HOLE DIAMETER 1.02±0.03[.040.001], COPPER THK 0.03-0.08[.001-.003], TIN THICKNESS 8um[.000315] MIN.
- 8 PC BOARDS GREATER THAN 1.57[.062] IN THICKNESS MAY REQUIRE SPECIAL EXTRACTION TOOLING, CONSULT ENGINEERING.



RECOMMENDED PRINTED CIRCUIT BOARD LAYOUT
 RECOMMENDED PRINTED CIRCUIT BOARD THICKNESS 1.41[.055] MIN
 COMPONENT SIDE OF PRINTED CIRCUIT BOARD

DESCRIPTION	PART NUMBER
NO "AMP" LOGO, NO PIN 5 & 6	6116201-3
NO "AMP" LOGO	6116201-2
AS SHOWN	6116201-1

DIMENSIONS: mm [INCHES] TOLERANCES UNLESS OTHERWISE SPECIFIED: 9 PLC ± 1 PLC ± 2 PLC ±0.13[.005] 3 PLC ± 4 PLC ± ANGLES ±		DWN: A. FERNANDEZ - 00065 CHK: J. WESTMAN APVD: S. FLICKINGER PRODUCT SPEC: 108-1163-6 APPLICATION SPEC: 114-2158 WEIGHT: - CUSTOMER DRAWING		TYCO Electronics Harrisburg, PA 17105-3608 MODULAR JACK ASSEMBLY, VERTICAL, COMPLIANT PIN, 8 POSITION, CATEGORY 5 SIZE: A1 CAGE CODE: 00779 DRAWING NO: 6116201 SCALE: 5:1 SHEET: 1 OF 1 REV: A2	
--	--	--	--	--	--